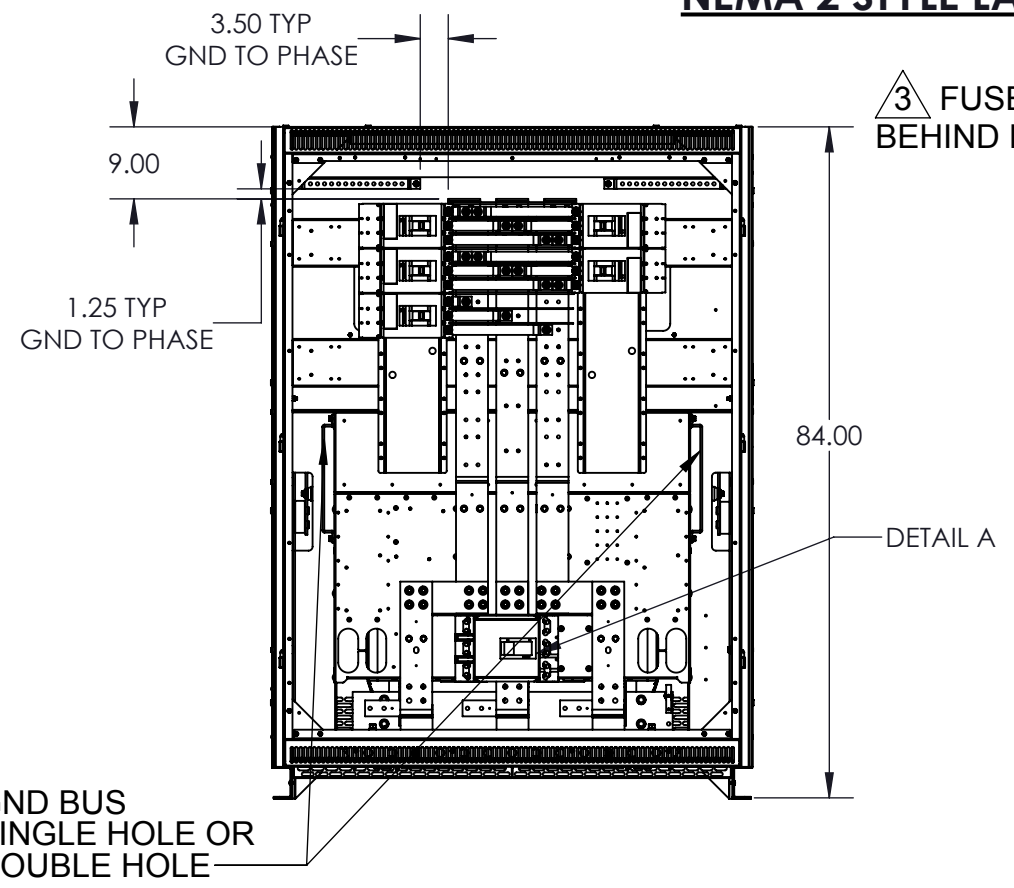
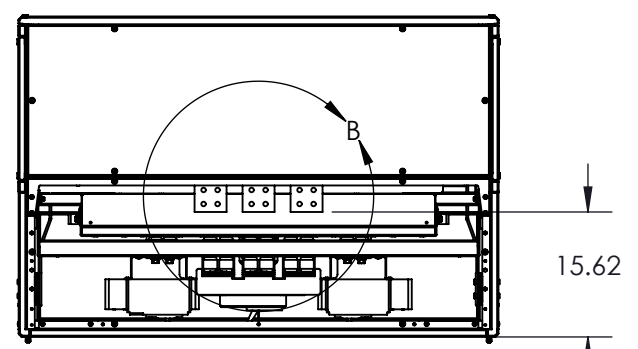
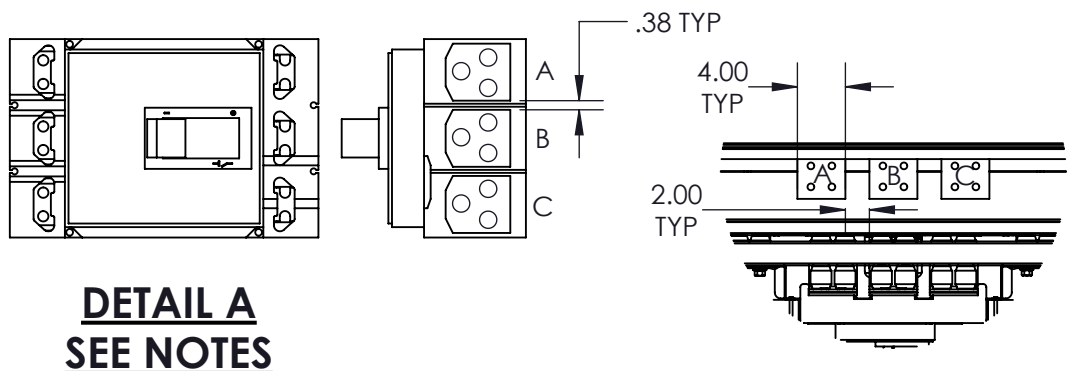
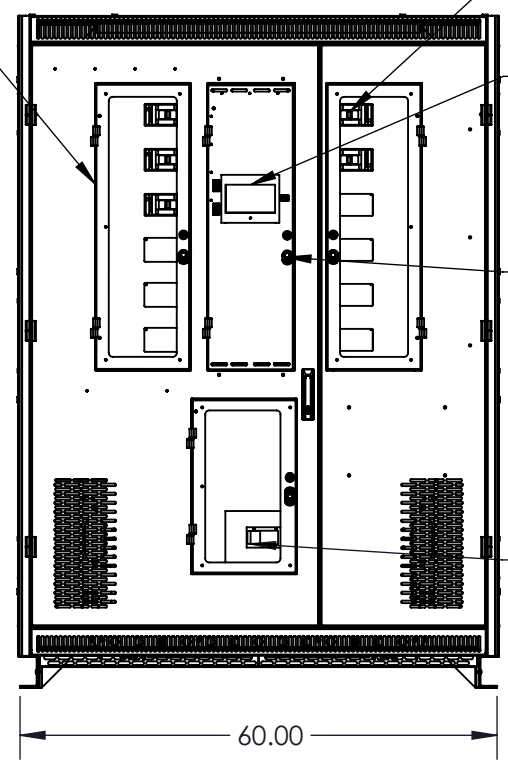


REVISIONS				
REV.	ECN #	DESCRIPTION	DATE	APPROVED
X1		ADDED CUSTOMER LANDING DETAILS	10/23/19	AD
X2		ADDED DIM IN DETAIL A	10/28/19	AD



△ 3 FUSE PANEL BEHIND DOOR

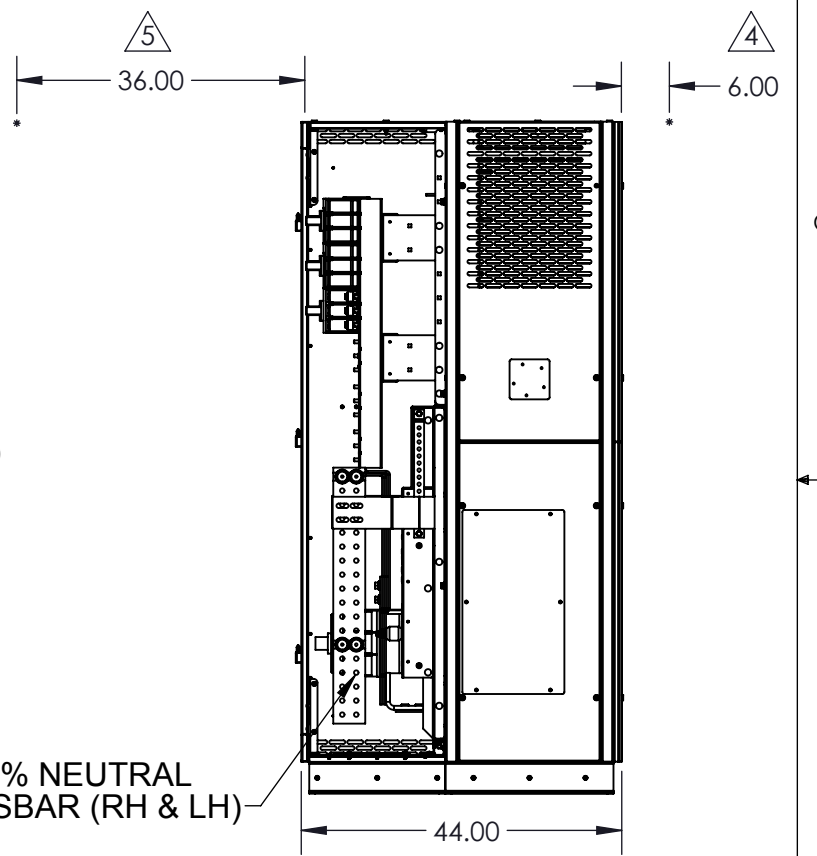


△ 3 L-FRAME CB 5X400A OUTPUT

△ 3 DISPLAY:
-WAVESTAR HMI COLOR

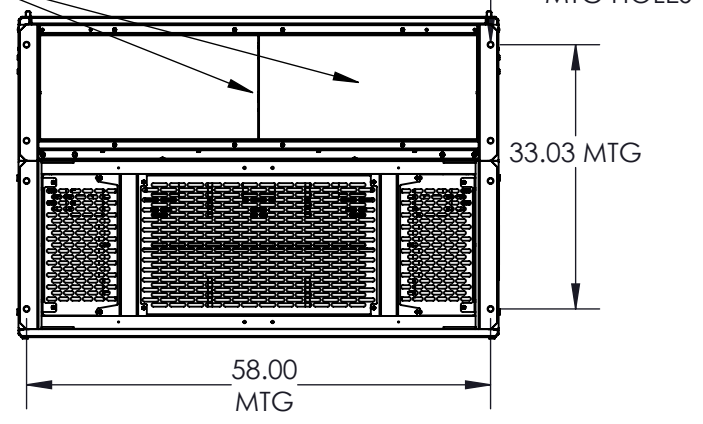
△ 3 CONTROL CHASSIS:
-M4G
-CONTRACTOR BOARD ENHANCED
-BCMS

△ 3 MAIN INPUT



200% NEUTRAL BUSBAR (RH & LH)

CONDUIT AREA



- NOTES: UNLESS OTHERWISE SPECIFIED:**
- 7 RECOMMENDED INPUT CABLE SIZE: (3) 250MCM CU PER PHASE
 - 6 APPROXIMATE WEIGHT: 5000 LBS
 - △ 5 MINIMUM CLEARANCE FOR DOORS.
 - △ 4 MINIMUM VENTILATION CLEARANCE FOR REAR AND ONE SIDE OF UNIT.
 - △ 3 ALL OPERATOR CONTROLS ARE FRONT ACCESS WITHOUT EXPOSURE TO LIVE PARTS.
 - 2 ALL ROUTINE MAINTENANCE IS FRONT AND SIDE ACCESS.
 - 1 DIMENSIONS IN [] ARE MILLIMETER.

		THIRD ANGLE PROJECTION		PDI 1 804 737 9880 <small>THIS DRAWING CONTAINS CONFIDENTIAL & PROPRIETARY INFORMATION AND SHALL NOT BE DISCLOSED OR COPIED WITHOUT THE EXPRESSED WRITTEN PERMISSION OF POWER DISTRIBUTION, INC.</small>	
MATERIAL: N/A		DESCRIPTION: PDU 500KVA 1X800A 5X400A			
APPROVALS		DATE		SIZE B	DWG. NO. 11300DLRSUB
DRAWN BY AD	10/15/19	CHECKED BY KN	10/15/19	REV X2	
APPROVED BY MW	10/15/19	SCALE: NTS	SHEET 1 OF 1		