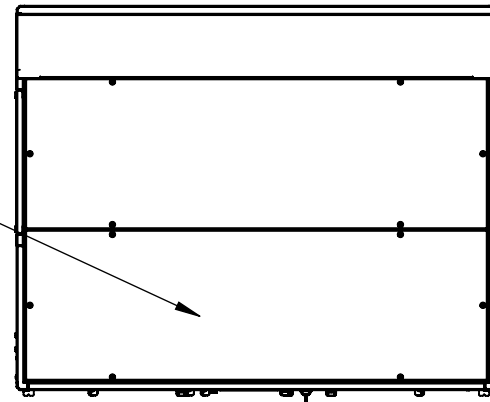


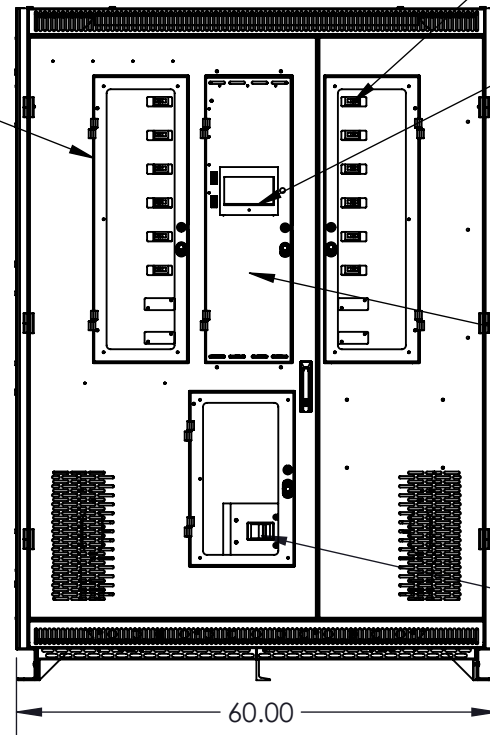
REVISIONS				
REV.	ECN #	DESCRIPTION	DATE	APPROVED
X0		SUBMITTAL RELEASE	10/24/19	AD

CONDUIT AREA



TOP VIEW

3 FUSE PANEL BEHIND DOOR



FRONT VIEW

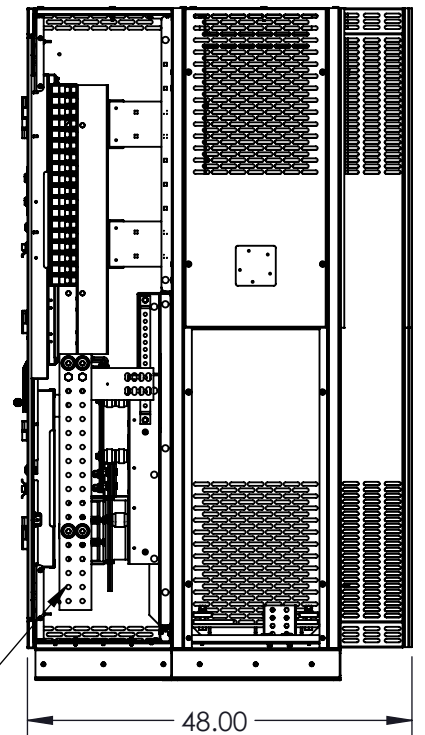
3 PDG2-FRAME CB 12X225A OUTPUT

3 DISPLAY: -WAVESTAR HMI COLOR

3 CONTROL CHASSIS: -M4G -CONTRACTOR BOARD ENHANCED -BCMS

3 MAIN INPUT

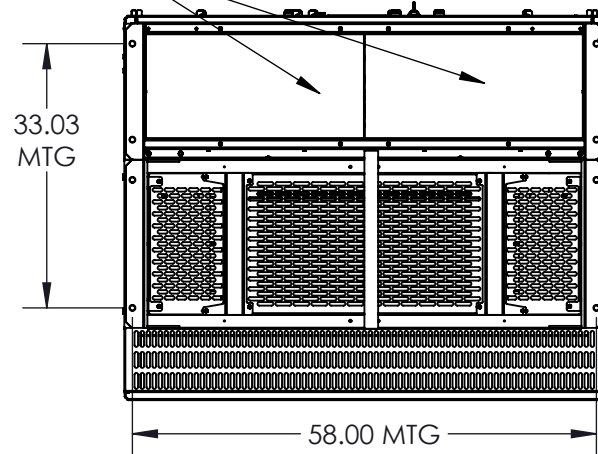
200% NEUTRAL BUSBAR (RH & LH)



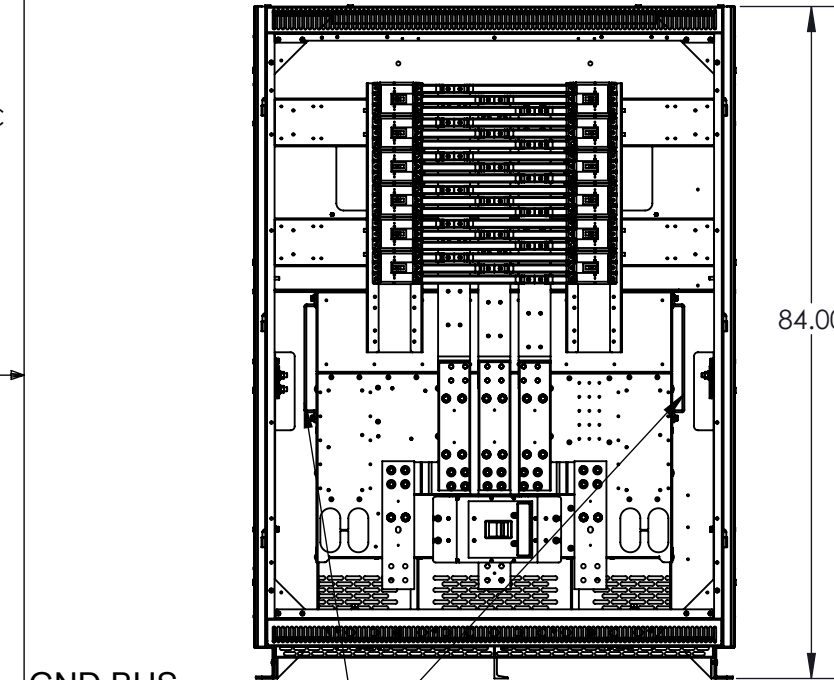
**SIDE VIEW
PANELS REMOVED**

CONDUIT AREA

4X Ø.63 MTG HOLES



BOTTOM VIEW



**FRONT VIEW
NO DOORS**

GND BUS SINGLE HOLE OR DOUBLE HOLE

- 7 RECOMMENDED INPUT CABLE SIZE: (3) 4/O CU PER PHASE
- 6 APPROXIMATE WEIGHT: 5000 LBS
- 5 MINIMUM CLEARANCE FOR DOORS.
- 4 MINIMUM VENTILATION CLEARANCE FOR REAR AND ONE SIDE OF UNIT.
- 3 ALL OPERATOR CONTROLS ARE FRONT ACCESS WITHOUT EXPOSURE TO LIVE PARTS.
- 2 ALL ROUTINE MAINTENANCE IS FRONT AND SIDE ACCESS.
- 1 DIMENSIONS IN [] ARE MILLIMETER.

NOTES: UNLESS OTHERWISE SPECIFIED:

		THIRD ANGLE PROJECTION				THIS DRAWING CONTAINS CONFIDENTIAL & PROPRIETARY INFORMATION AND SHALL NOT BE DISCLOSED OR COPIED WITHOUT THE EXPRESSED WRITTEN PERMISSION OF POWER DISTRIBUTION, INC.	
MATERIAL: N/A				DESCRIPTION: PDU 500KVA 1X800A 12X225A			
APPROVALS		DATE		SIZE B		DWG. NO. 11300117SUB	
DRAWN BY AD		10/24/2019		REV X0			
CHECKED BY KN		10/24/2019		SCALE:		SHEET 1 OF 1	
APPROVED BY MW		10/24/2019					