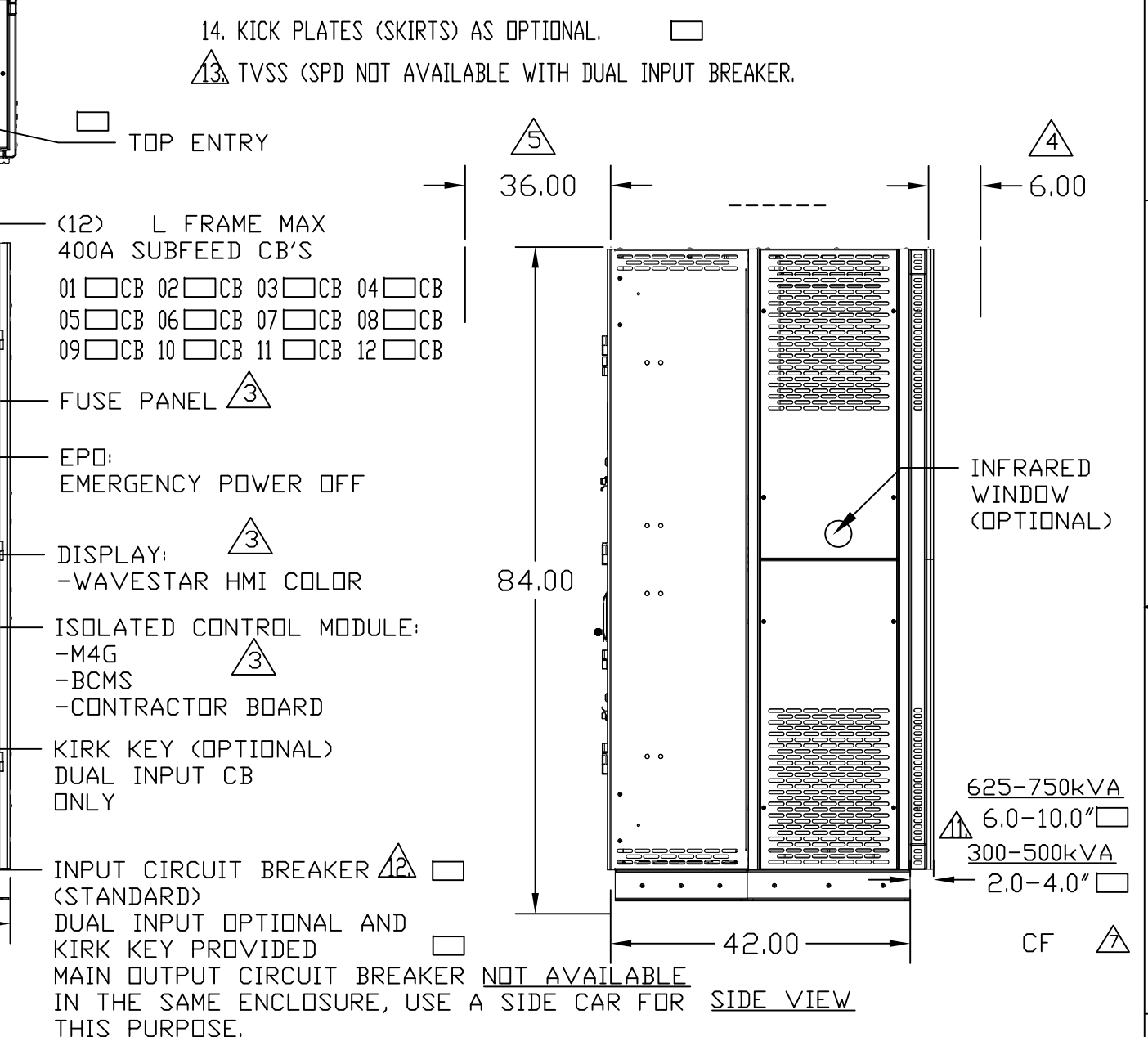
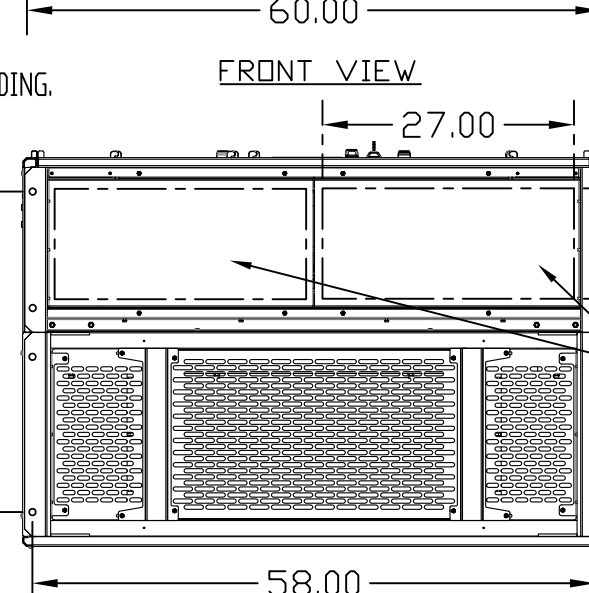
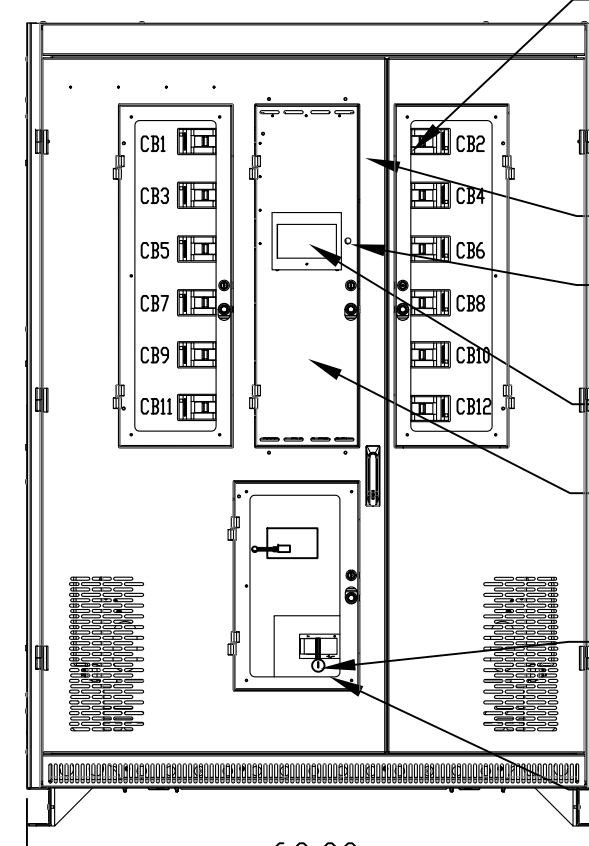
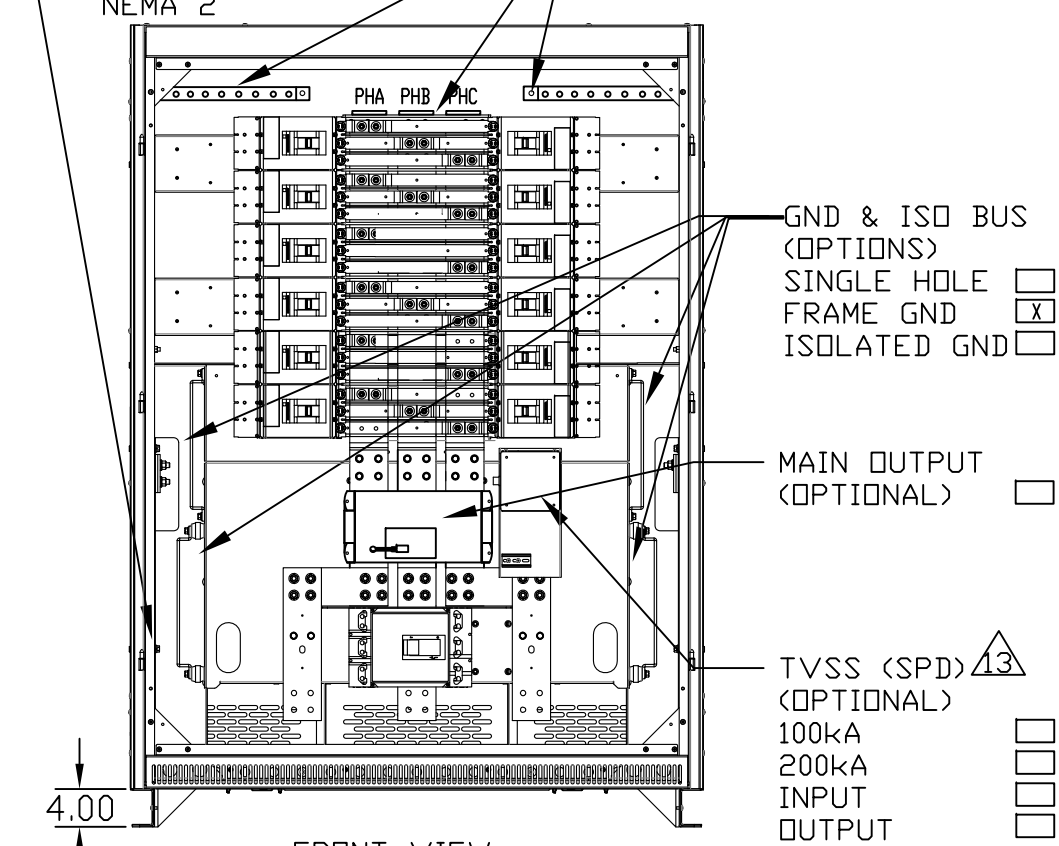
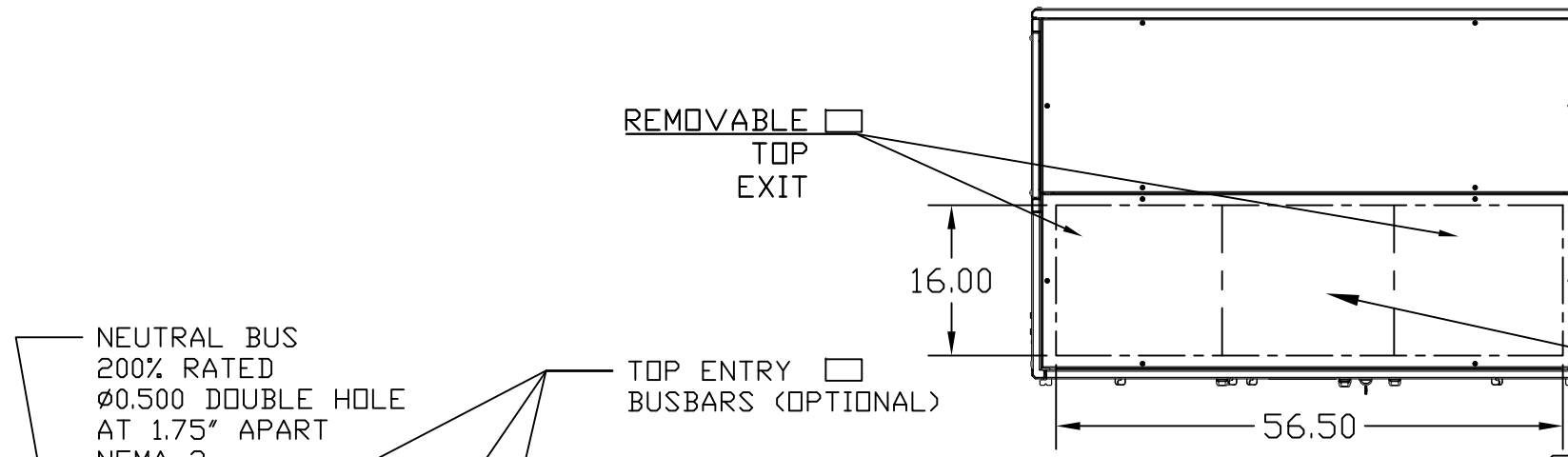


REVISIONS

REV.	DESCRIPTION	DATE	APPROVED
A	SUBMITTAL PRELIMINARY RELEASE	06/27/2016	VG

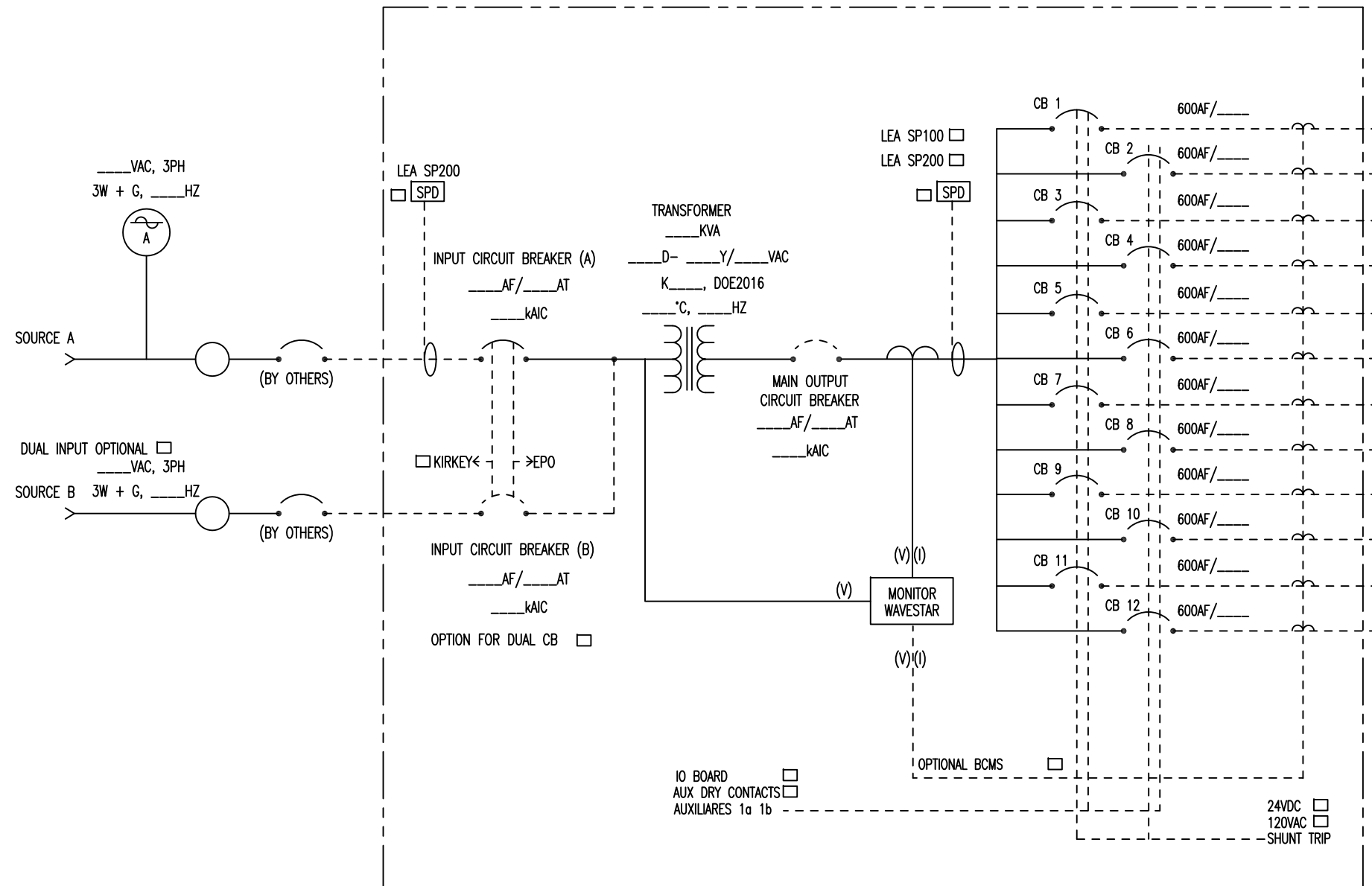


- INPUT CIRCUIT BREAKER BOTTOM OFFER MECHANICAL LUGS ONLY FOR WIRES LANDING.
- THE DEPTH OF THE UNIT DEPENDING ON TRANSFORMER SPECIFICATIONS THE DIMENSION MAY VARY FROM PRELIMINARY TO ACTUAL SUBMITTAL.
- 10. CONSULT NATIONAL ELECTRIC CODE (NEC) AND LOCAL REGULATIONS
- 9. ALL CUSTOMER SUPPLIED CABLE CONNECTIONS BASED ON 75°C CU OR AL
- 8. COLOR: IBM PEARL WHITE; OTHER COLOR OPTIONAL
- CONSULT THE FACTORY FOR TRANSFORMER SIZE
- 6. APPROXIMATE WEIGHT:

750kVA	625kVA	500kVA	400kVA	300kVA
5200 LB	4900 LB	4700 LB	4500 LB	4200 LB
- MINIMUM CLEARANCE FOR DOORS
- MINIMUM VENTILATION CLEARANCE FOR REAR AND ONE SIDE
- ALL OPERATORS CONTROLS ARE FRONT ACCESS WITHOUT EXPOSURE TO LIVE PARTS
- 2. FRONT ACCESS INSTALLATION AND MAINTENACE
- 1. ALL DIMENSION ARE IN INCHES
- NOTES: UNLESS OTHERWISE SPECIFIED

THIS DRAWING CONTAINS CONFIDENTIAL & PROPRIETARY INFORMATION AND SHALL NOT BE DISCLOSED OR COPIED WITHOUT THE EXPRESSED, WRITTEN PERMISSION OF ONYX POWER, INC.		THIS DRAWING CONTAINS CONFIDENTIAL & PROPRIETARY INFORMATION AND SHALL NOT BE DISCLOSED OR COPIED WITHOUT THE EXPRESSED, WRITTEN PERMISSION OF SMITHS POWER		PDI	
DO NOT SCALE DRAWING		TITLE: 300-750KVA POWER DISTRIBUTION UNIT			
APPROVALS		DATE		SIZE DWG. NO. REV	
DRAWN	AD	07/27/15		B 92-PH2L A	
DESIGNED	AD	07/27/15			
CHECKED	JS	07/27/15			
ENG. APPR.	VG	07/27/15			
MFG. APPR.				SCALE: 1:4 PART NO. SHEET 1 OF 2	

_____KVA POWER DISTRIBUTION UNIT



35kAIC 80% RATED	65kAIC 80% RATED	35kAIC 100% RATED (LI)	65kAIC 100% RATED (LI)	65kAIC 100% RATED (LSI)
MGL36500 <input type="checkbox"/>	MJL36500 <input type="checkbox"/>	PGL36050CU31A <input type="checkbox"/>	PJL36050CU31A <input type="checkbox"/>	PJL36050CU33A <input type="checkbox"/>
MGL36700 <input type="checkbox"/>	MJL36700 <input type="checkbox"/>	PGL36080CU31A <input type="checkbox"/>	PJL36080CU31A <input type="checkbox"/>	PJL36080CU33A <input type="checkbox"/>
MGL36800 <input type="checkbox"/>	MJL36800 <input type="checkbox"/>	PGL36080CU31A <input type="checkbox"/>	PJL36080CU31A <input type="checkbox"/>	PJL36080CU33A <input type="checkbox"/>
PGL36100 <input type="checkbox"/>	PJL36100 <input type="checkbox"/>	PGL36100CU31A <input type="checkbox"/>	PJL36100CU31A <input type="checkbox"/>	PJL36100CU33A <input type="checkbox"/>
PGL36120 <input type="checkbox"/>	PJL36120 <input type="checkbox"/>	PGL36120CU31A <input type="checkbox"/>	PJL36120CU31A <input type="checkbox"/>	PJL36120CU33A <input type="checkbox"/>

65/35kAIC 80% RATED (LI)	65/35kAIC 100% RATED (LI)	65/35kAIC 80% RATED (LSI)	65/35kAIC 100% RATED (LSI)	100/65kAIC 100% RATED (LSI)
LGL36250U31X <input type="checkbox"/>	LGL36250CU31X <input type="checkbox"/>	LGL36250U33X <input type="checkbox"/>	LGL36250CU33X <input type="checkbox"/>	LJL36250CU33X <input type="checkbox"/>
LGL36400U31X <input type="checkbox"/>	LGL36400CU31X <input type="checkbox"/>	LGL36400U33X <input type="checkbox"/>	LGL36400CU33X <input type="checkbox"/>	LJL36400CU33X <input type="checkbox"/>
LGL36600U31X <input type="checkbox"/>	LGL36600CU31X <input type="checkbox"/>	LGL36600U33X <input type="checkbox"/>	LGL36600CU33X <input type="checkbox"/>	LJL36600CU33X <input type="checkbox"/>

35/65kAIC 80% RATED (LI)	35/65kAIC 100% RATED (LI)	35/65kAIC 80% RATED (LSI)	35/65kAIC 100% RATED (LSI)	65/100kAIC 100% RATED (LSI)
RGF36060U31A <input type="checkbox"/>	RGF36060CU31A <input type="checkbox"/>	RGF36060U33A <input type="checkbox"/>	RGF36060CU33A <input type="checkbox"/>	RJF36060CU33A <input type="checkbox"/>
RGF36080U31A <input type="checkbox"/>	RGF36080CU31A <input type="checkbox"/>	RGF36080U33A <input type="checkbox"/>	RGF36080CU33A <input type="checkbox"/>	RJF36080CU33A <input type="checkbox"/>
RGF36100U31A <input type="checkbox"/>	RGF36100CU31A <input type="checkbox"/>	RGF36100U33A <input type="checkbox"/>	RGF36100CU33A <input type="checkbox"/>	RJF36100CU33A <input type="checkbox"/>
RGF36120U31A <input type="checkbox"/>	RGF36120CU31A <input type="checkbox"/>	RGF36120U33A <input type="checkbox"/>	RGF36120CU33A <input type="checkbox"/>	RJF36120CU33A <input type="checkbox"/>
RGF36160U31A <input type="checkbox"/>	RGF36160CU31A <input type="checkbox"/>	RGF36160U33A <input type="checkbox"/>	RGF36160CU33A <input type="checkbox"/>	RJF36160CU33A <input type="checkbox"/>
RGF36200U31A <input type="checkbox"/>	RGF36200CU31A <input type="checkbox"/>	RGF36200U33A <input type="checkbox"/>	RGF36200CU33A <input type="checkbox"/>	RJF36200CU33A <input type="checkbox"/>
RGF36250U31A <input type="checkbox"/>	RGF36250CU31A <input type="checkbox"/>	RGF36250U33A <input type="checkbox"/>	RGF36250CU33A <input type="checkbox"/>	RJF36250CU33A <input type="checkbox"/>
RGF36300U31A <input type="checkbox"/>	RGF36300CU31A <input type="checkbox"/>	RGF36300U33A <input type="checkbox"/>	RGF36300CU33A <input type="checkbox"/>	RJF36300CU33A <input type="checkbox"/>

USE THIS TABLE FOR DIFFERENT VOLTAGES AND APPLY A CIRCUIT BREAKER KAIC ACCORDINGLY ON THE TABLES ABOVE

VOLTAGE	(FRAME L, M, P, R) G	(FRAME L, M, P, R) J	(FRAME L, M, P, R) L	(FRAME P, R) K
240VAC <input type="checkbox"/>	65 KAIC <input type="checkbox"/>	100 KAIC <input type="checkbox"/>	125 KAIC <input type="checkbox"/>	65 KAIC <input type="checkbox"/>
480VAC <input type="checkbox"/>	35 KAIC <input type="checkbox"/>	65 KAIC <input type="checkbox"/>	100 KAIC <input type="checkbox"/>	65 KAIC <input type="checkbox"/>
600VAC <input type="checkbox"/>	25 KAIC <input type="checkbox"/>	25 KAIC <input type="checkbox"/>	50 KAIC <input type="checkbox"/>	65 KAIC <input type="checkbox"/>

2. PDU OPTIONS:

- a) DUAL INPUT CIRCUIT BREAKER
- b) TVSS (SPD)
- c) TRANSFORMER VOLTAGES, IMPEDANCE, INRUSH, TEMPERATURE RISE, EFFICIENCY, FREQUENCY AND ALUMINUM WINDINGS
- d) WAVESTAR ENHANCED (BCMS, IO BOARD, ENHANCED CONTRACTOR BOARD)
- e) AUXILIARIES A BELL ALARMS
- f) CIRCUIT BREAKERS OFFER 100% AND / OR HIGH KAIC
- g) CIRCUIT BREAKERS SHUNT TRIP 120VAC, 24VAC OR 24VDC
- h) SQUARE D MONITORING SYSTEM

1. STANDARD PDU CONTAINS:

- a) INPUT CIRCUIT BREAKER 35KAIC @ 480VAC, 80% RATED
- b) EMERGENCY PUSH BUTTON (EPO)
- c) TRANSFORMER 480D-208/120VAC, K9, DOE2016, 150° C, CU, 60HZ, INRUSH 8-12X, IMPEDANCE 2.5-5%, TAPS +2/-2 (750kVA +1/-1)
- d) WAVESTAR STANDARD (M4G, COLOR DISPLAY, STANDARD CONTRACTOR BOARD)

NOTES:

CB AMPERAGE	WIRE (CU)	WIRE (AL)
< 250A	12 CONDUITS + INPUT	SAME AS (CU)
< 400A	12 CONDUITS + INPUT	SAME AS (CU)
< 500A	12 CONDUITS + INPUT	9 CONDUITS + INPUT
< 600A	9 CONDUITS + INPUT	7 CONDUITS + INPUT

THIS DRAWING CONTAINS CONFIDENTIAL & PROPRIETARY INFORMATION AND SHALL NOT BE DISCLOSED OR COPIED WITHOUT THE EXPRESSED WRITTEN PERMISSION OF SMITHS POWER

TITLE: 300-750kVA
POWER DISTRIBUTION UNIT

SIZE B	DWG. NO. 92-PH2L	REV A
SCALE: NONE		PART NO.
SHEET 2 OF 2		