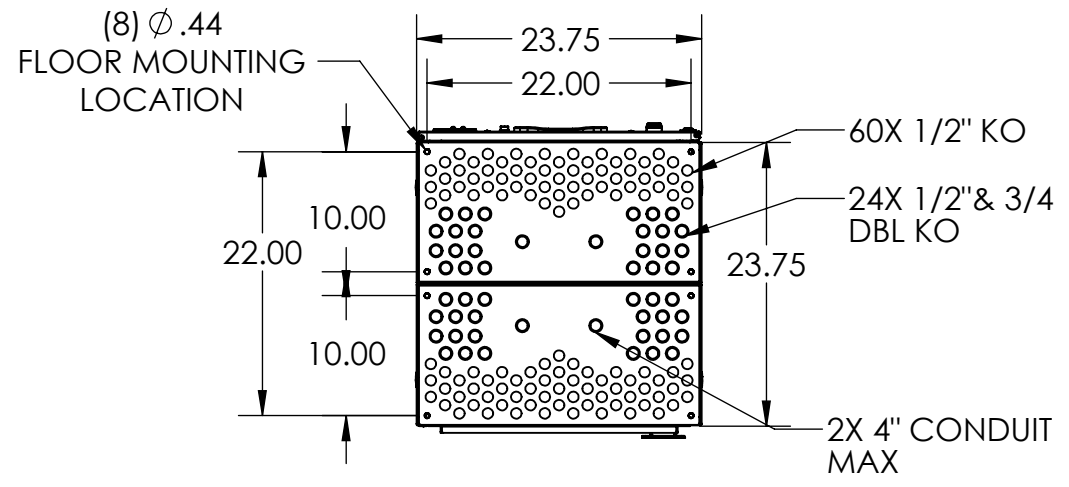
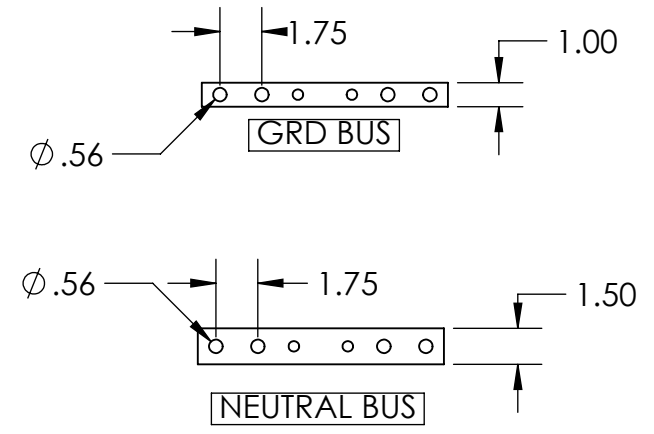
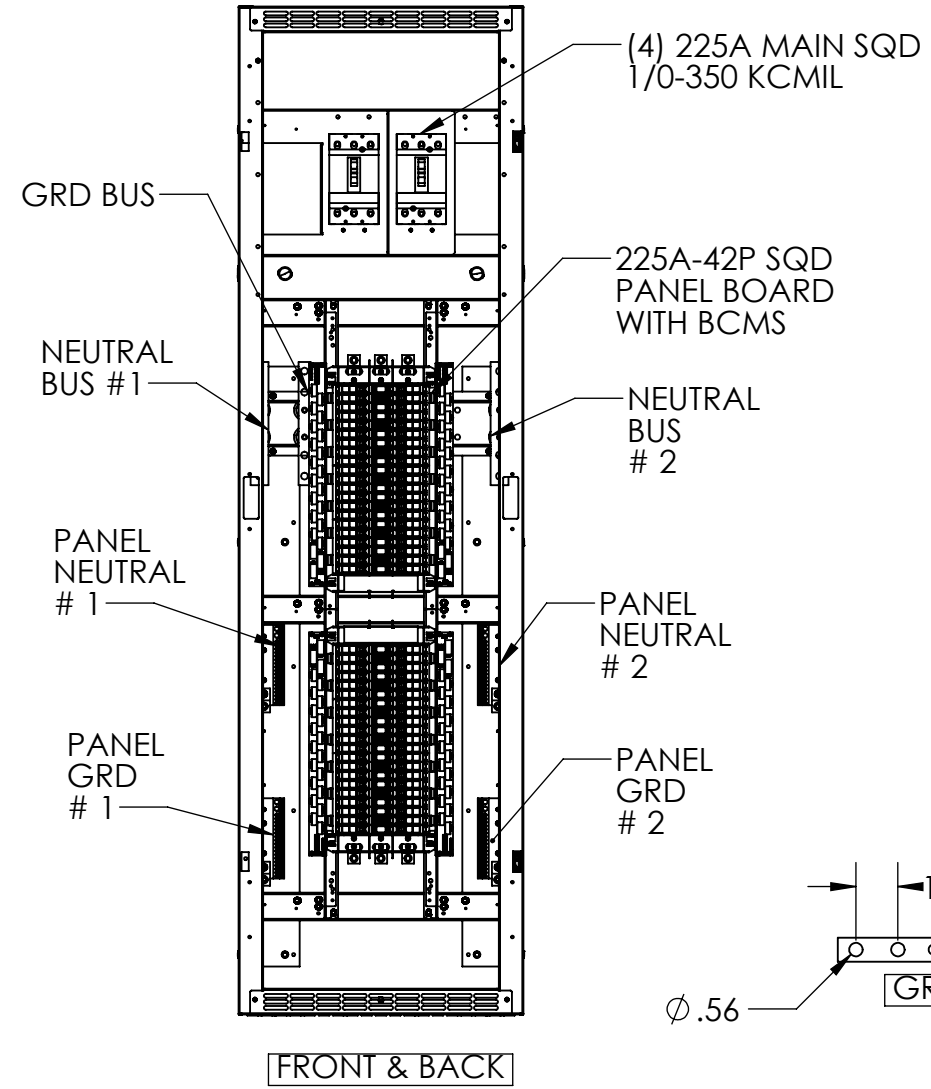
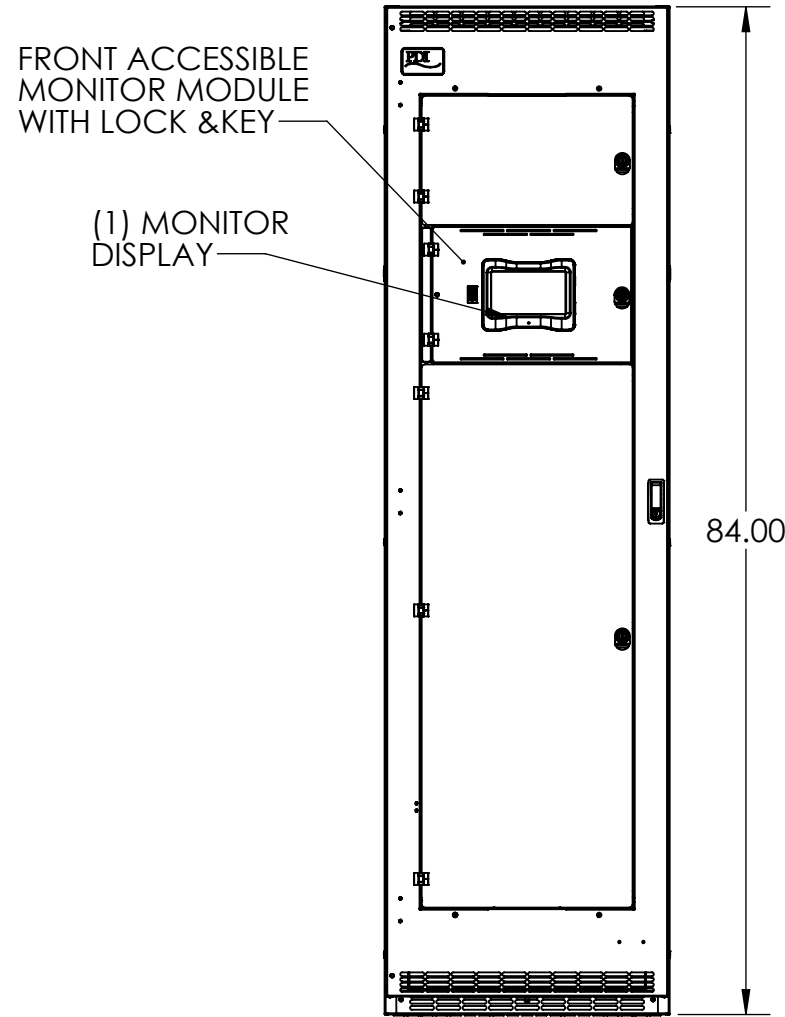
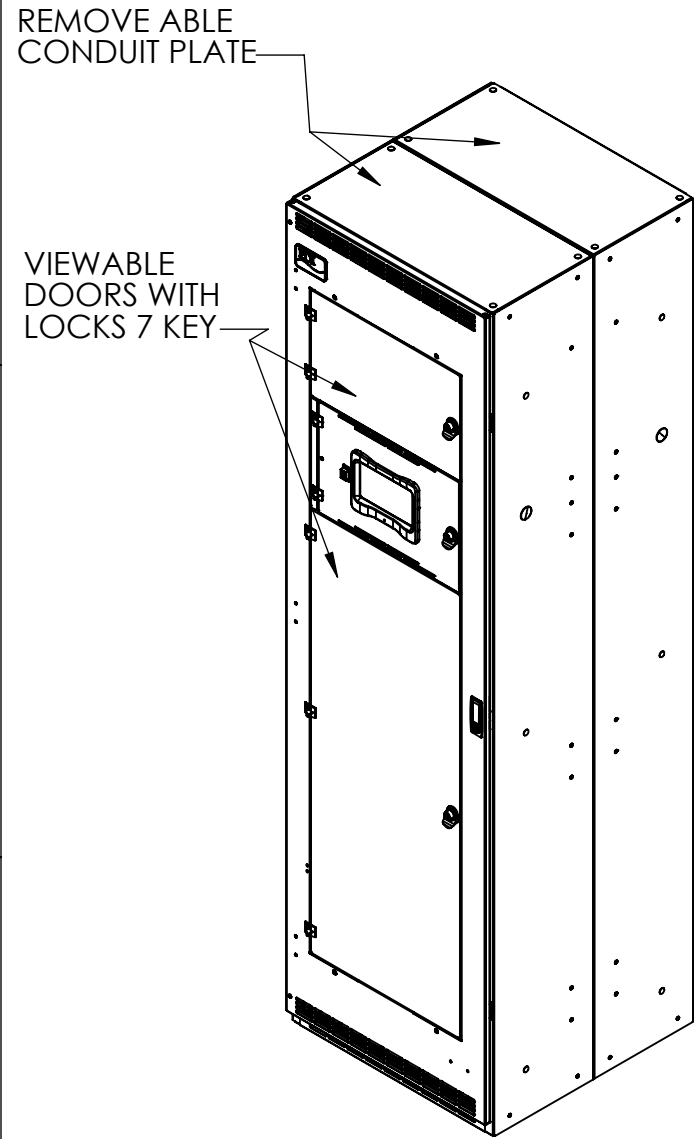


8 7 6 5 4 3 2 1



GENERAL SPECIFIED

CABINET CHARACTERISTIC:
 ENCLOSURE : NEMA 1
 LOCATION : INDOOR
 MOUNTING: FLOOR or FLOOR STAND(OPTIONAL)
 MATERIAL: STEEL
 FINISH: EXTERIOR PANELS: POWDER COAT
 WEIGHT : 375 LBS. APPROX.
ELECTRICAL:
 (4) INPUT: 208 VAC 3PH-4W W/GND @ 60 HZ, 250A (MAX)
 (4) OUTPUT :42 POLE, BOLT ON CIRCUIT BREAKER (60 A MAX)
 ALL CUSTOMER SUPPLIED CABLE CONNECTIONS BASE ON 75 °C COPPER WIRE.
 CONSULT NEC & LOCAL REGULATIONS.

UNLESS OTHERWISE SPECIFIED:
 DIMENSIONS ARE IN INCHES
 [] IN MILLIMETER
 ANGULAR: ±0.5° BEND ±1°
 TWO PLACE DECIMAL ±0.02
 THREE PLACE DECIMAL ±0.005

THIS DRAWING CONTAINS
 CONFIDENTIAL & PROPRIETARY
 INFORMATION AND SHALL NOT
 BE DISCLOSED OR COPIED
 WITHOUT THE EXPRESSED,
 WRITTEN PERMISSION OF
 SMITHS POWER



THIRD ANGLE PROJECTION		DO NOT SCALE DRAWING	
APPROVALS		DATE	
DRAWN	LJN	2/1/18	
CHECKED			
ENG. APPR.			

TITLE: MCRPP MODEL-D (4) 225A-42P SQD, WITH MAIN AND MONITORING		
SIZE	DWG. NO.	REV
B	12617001	A
PART NO.		SHEET 1 OF 1

8 7 6 5 4 3 2 1