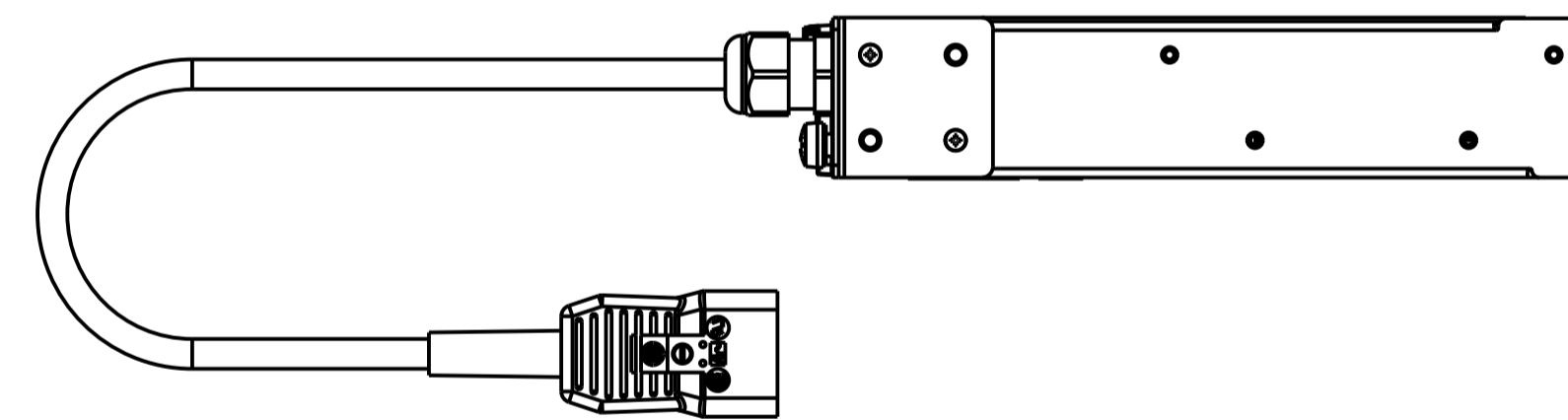
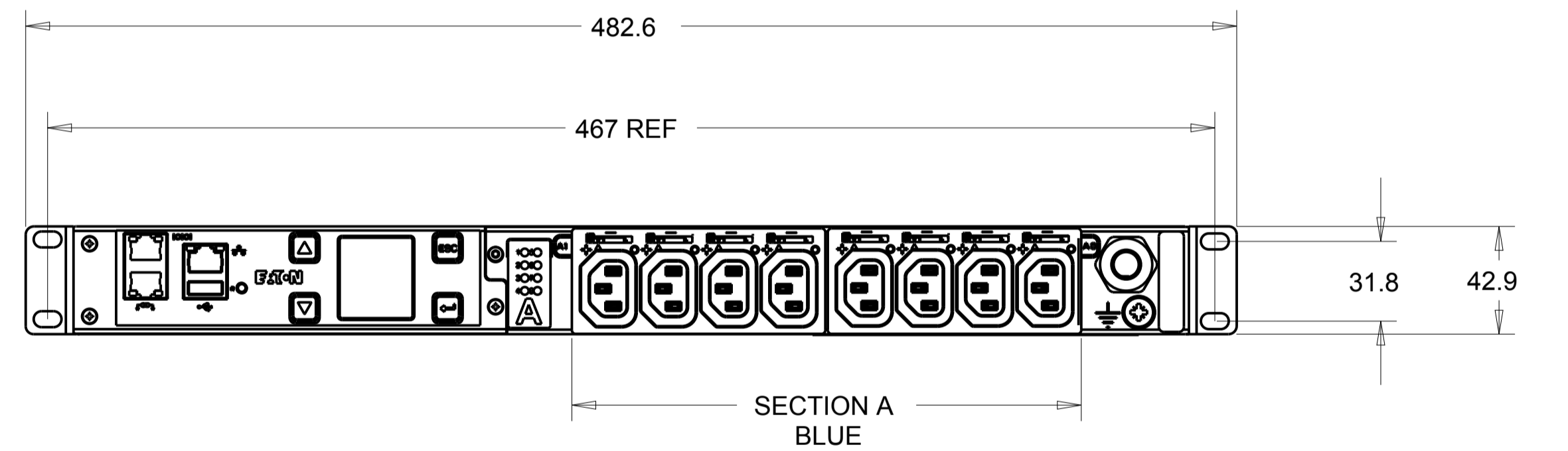
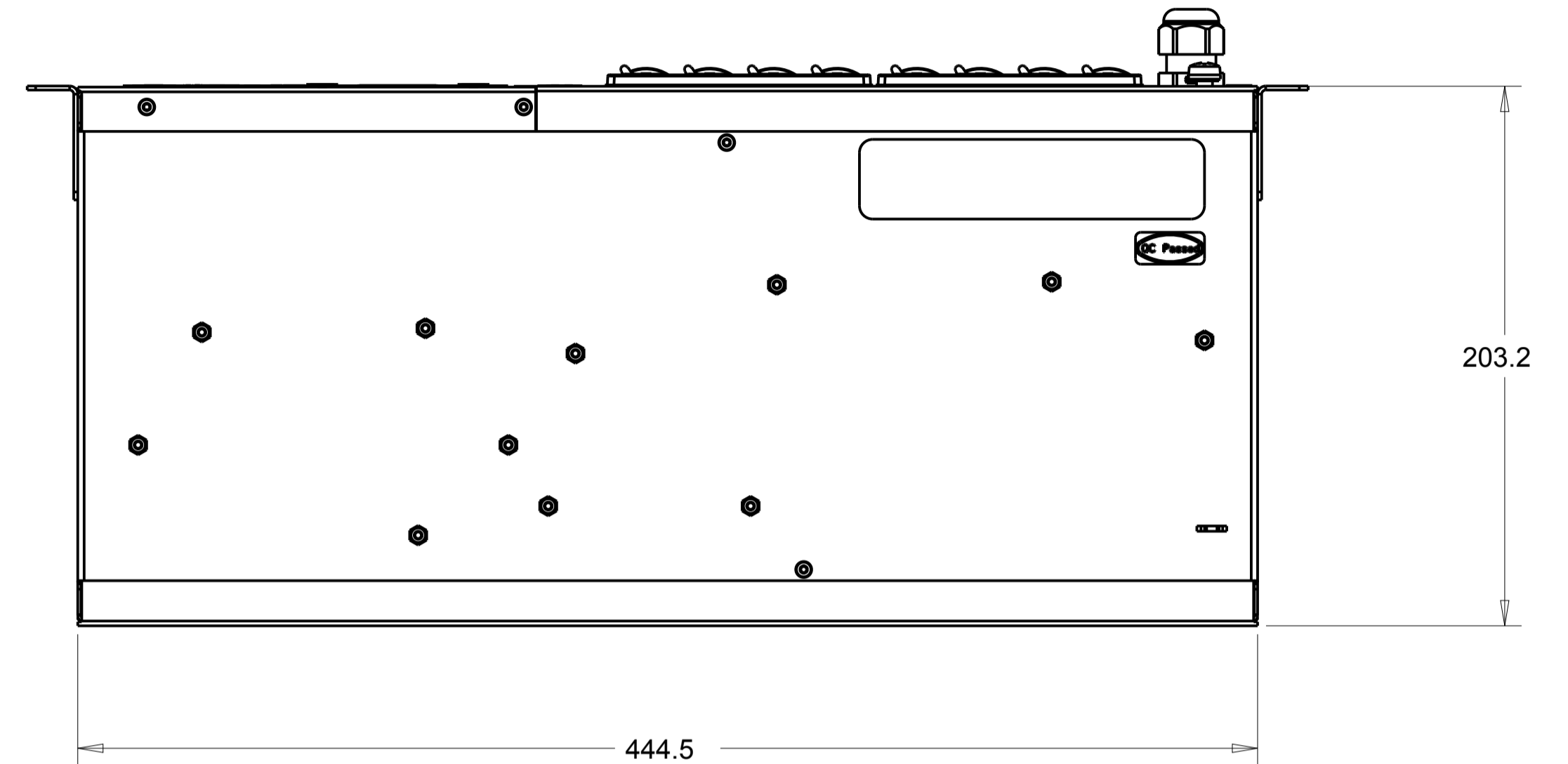
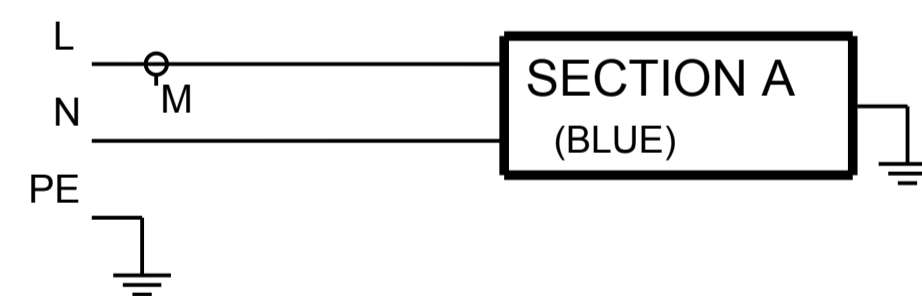


PICTORIAL VIEW
REFERENCE ONLY



CABLE SHOWN NOT TO SCALE

CIRCUIT SCHEMATIC



ESWH28 G3+ SWITCHED

FUNCTIONALITY	INPUT	OUTPUT	ENVIRONMENTAL
CURRENT POWER AND ENERGY METERING FOR INPUT, BRANCH AND OUTLETS. INDIVIDUAL OUTLET CONTROL	IEC 60309 C20 16A 230V~ W+N+PE 1.5MM HO5 POWER CORD CABLE LENGTH: 3.0 M	(8) IEC 60320 C13 GRIP / P-LOCK	0 TO 60 °C
MECHANICAL	INPUT RATING	OUTPUT RATING	CERTIFICATIONS
LENGTH: 203.2MM WIDTH: 444.5 MM DEPTH: 42.9MM ALUMINIUM CHASSIS, BLACK 19 INCH RACK MOUNT	1Ø; 200-240V~;W+N+PE 50/60HZ 16A	200-240V~;50/60HZ 10A PER C13 10A MAX TOTAL	CE, CB
CIRCUIT BREAKERS	FILTER AND SPIKE/SURGE	ACCESSORIES	CONFIGURATION
NONE	NONE	STANDARD KSP011 - 1U INSTALL NETWORK PACK OPTIONAL EMPDT1H1C2 - ENVIRONMENTAL PROBE	ESW6CXHFABB13AM

00 INITIAL RELEASE		12.12.2016	VV	MB
REV	MODIFICATION	DATE	DESSINER	VERIF
EATON		HEINEMANN PRODUCTS	VUE/VIEW EUROPE: 1/2	N° MAG ESWH28
CH-1345 LE LIEU SWITZERLAND		DESSINE LE / DRAWN THE	12.12.2016	
TRAITEMENT / FINISH NA		PAR / BY	VV	
MATERIE / MATERIAL NA		VERIFIE PAR / VERIFIED BY	MB	
NIVEAU DU CERTIFICAT DE SOUMISSION REQUIS / SAMPLES APPROVAL PROCESS REPORT X		DIMENSIONS AND TOLERANCES IN MILLIMETERS		
DESIGNATION	EPDU SW 1U (C20 16A 1P)C13X8	SK-86819-Y1	00	
COTES A CONTROLER / INSPECTION DIMENSIONS	XX.XX	COTES FONCTIONNELLES / FUNCTIONAL DIMENSIONS	# XX.XX	NUMERO DU PLAN / PLAN NUMBER
Ce document est propriété de Eaton Industries Manufacturing GmbH. Duplication interdite sans autorisation. This document is Eaton Industries Manufacturing GmbH property. Duplication forbidden without authorization.				