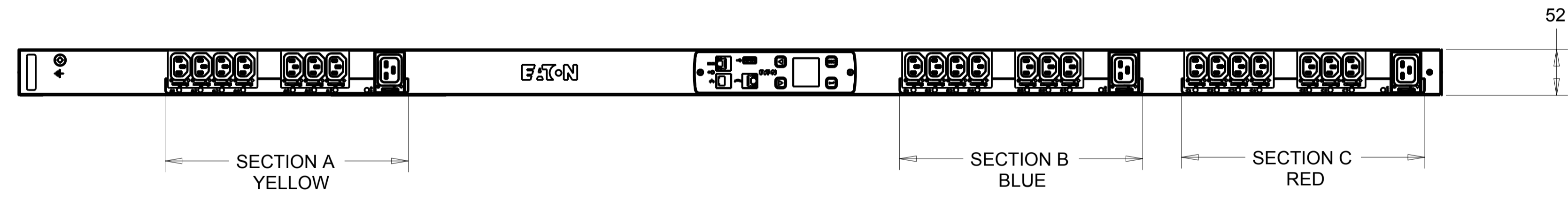
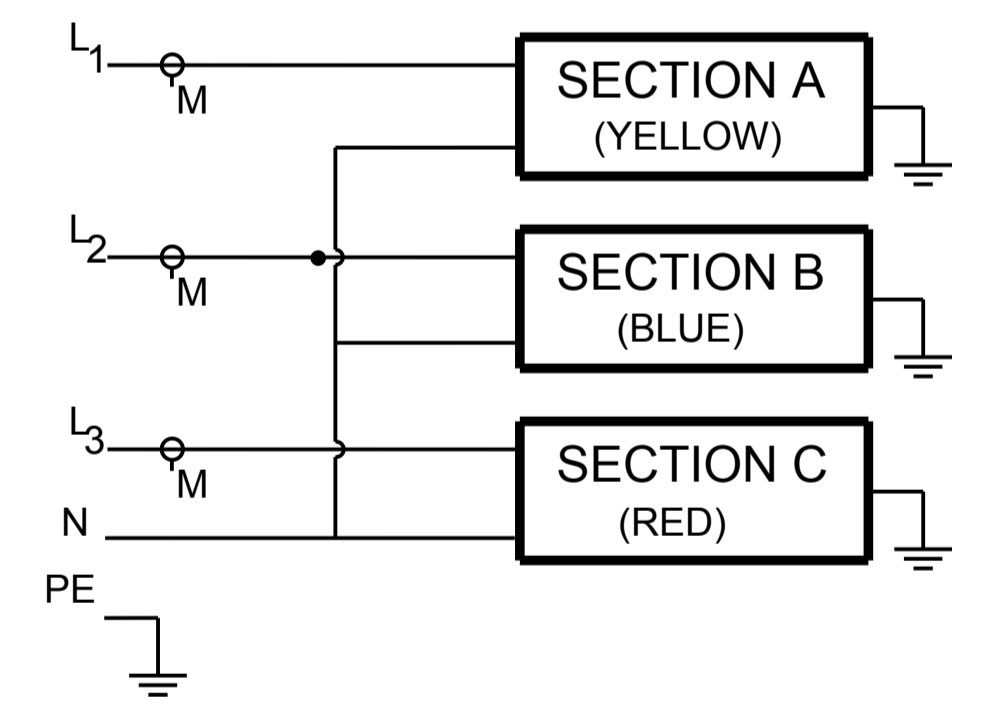


CABLE LENGTH SHOWN NOT TO SCALE

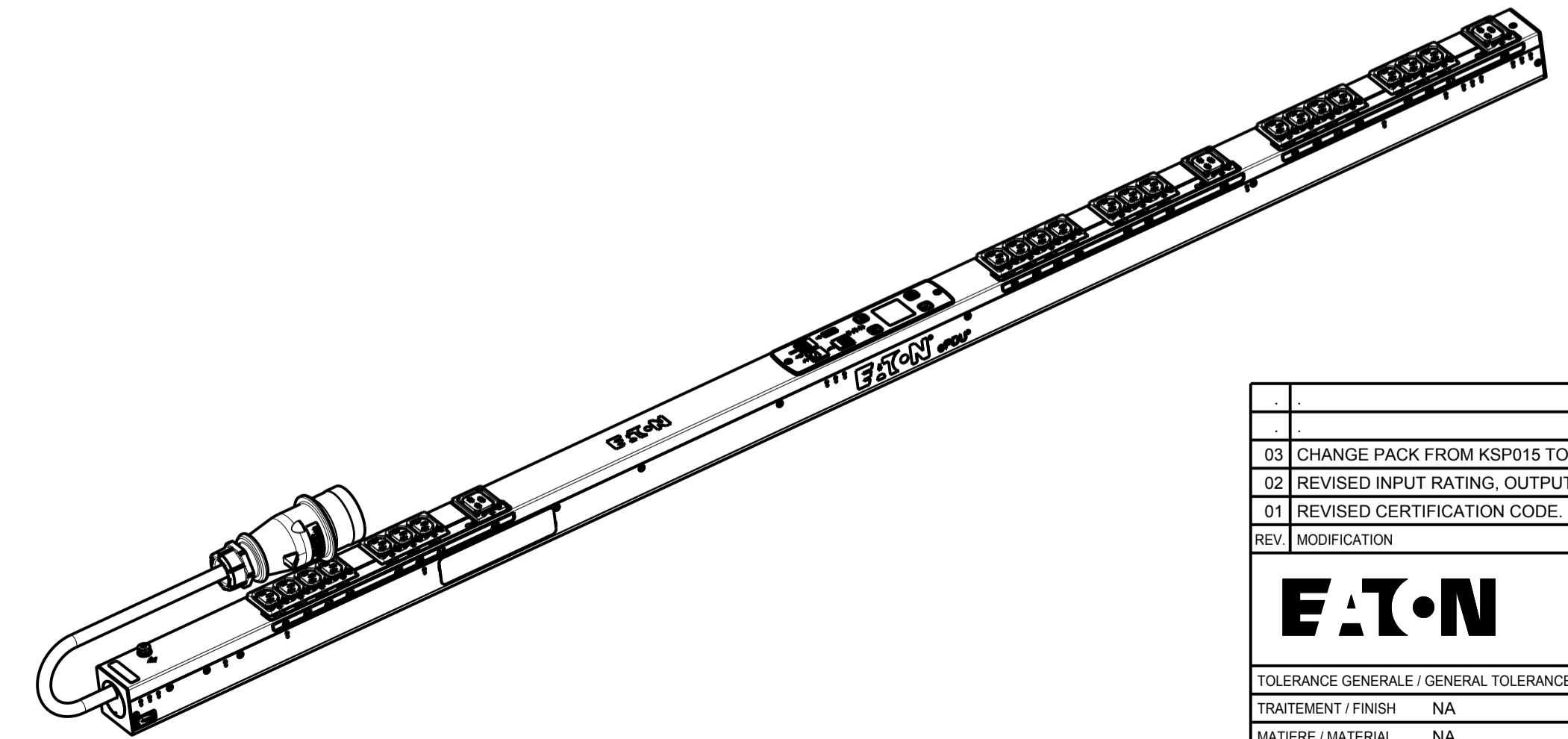


CIRCUIT SCHEMATIC



## ESWB20 G3+ SWITCHED

FUNCTIONALITY	INPUT	OUTPUT	ENVIRONMENTAL
CURRENT POWER AND ENERGY METERING FOR INPUT AND BRANCH. INDIVIDUAL OUTLET CONTROL	IEC 60309-2 16A 230/400V 3P+N+E 1.5MM HO7 POWER CORD CABLE LENGTH: 3.0M	(21) IEC 60320 C13 GRIP / P-LOCK (3) IEC 60320 C19 GRIP / P-LOCK	0 TO 60 °C
MECHANICAL	INPUT RATING	OUTPUT RATING	CERTIFICATIONS
LENGTH: 1604MM WIDTH: 52 MM DEPTH: 53MM ALUMINIUM CHASSIS, BLACK MNT PATTERN SK-23919-Y1	3Ø;346-415V~; WYE, 3W+N+PE 50/60HZ 16A	200-240V~;50/60HZ 10A PER C13;16A PER C19 16A MAX PER SECTION 16A MAX TOTAL	CE, CB
CIRCUIT BREAKERS	FILTER AND SPIKE/SURGE	ACCESSORIES	CONFIGURATION
NONE	NONE	STANDARD KSP025 - VERT INSTALLATION AND NETWORK PACK KA35 OPTIONAL EMPDT1H1C2 - ENVIRONMENTAL PROBE	ESW6DA8FAGE77CM



SCALE 0.188

03 CHANGE PACK FROM KSP015 TO KSP025		22.09.2015	VV	MB
02 REVISED INPUT RATING, OUTPUT RATING AND CONFIGURATION CODE		22.01.2015	G.McD.	M.B.
01 REVISED CERTIFICATION CODE		29.10.2014	G.McD.	M.B.
REV	MODIFICATION	DATE	DESIGNER	VERIF
<b>HEINEMANN PRODUCTS</b> CH-1345 LE LIEU SWITZERLAND		VUE/VIEW EUROPE	ECHELLE / SCALE 4/10	N° MAG ESWB20
		DESSINE LE / DRAWED THE 11.08.2014		
TOLERANCE GENERALE / GENERAL TOLERANCE		VERIFIE PAR / VERIFIED BY M.B.		
TRAITEMENT / FINISH NA				
MATIERE / MATERIAL NA				
NIVEAU DU CERTIFICAT DE SOUMISSION REQUIS / SAMPLES APPROVAL PROCESS REPORT X		DIMENSIONS AND TOLERANCES IN MILLIMETERS		
DESIGNATION EPDU SW 0U (309 16A 3P)21XC13:3XC19		SK-43219-Y1		03
COTES A CONTROLER INSPECTION DIMENSIONS	XX.XX	COTES FONCTIONNELLES FUNCTIONAL DIMENSIONS	# XX.XX	NUMERO DU PLAN PLAN NUMBER
Ce document est propriété de Eaton Industries Manufacturing GmbH. Duplication interdite sans autorisation. This document is Eaton Industries Manufacturing GmbH property. Duplication forbidden without authorization.				