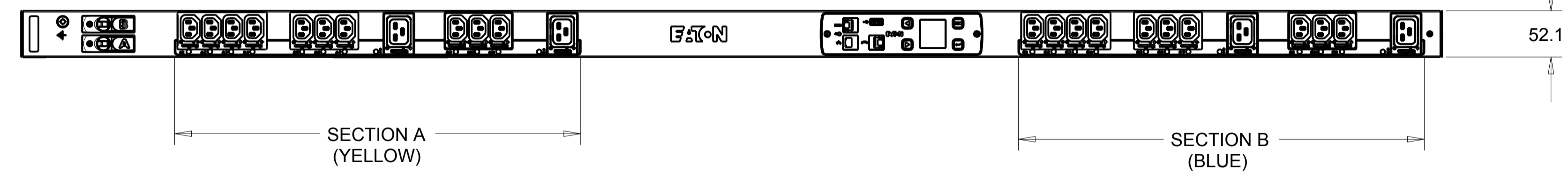
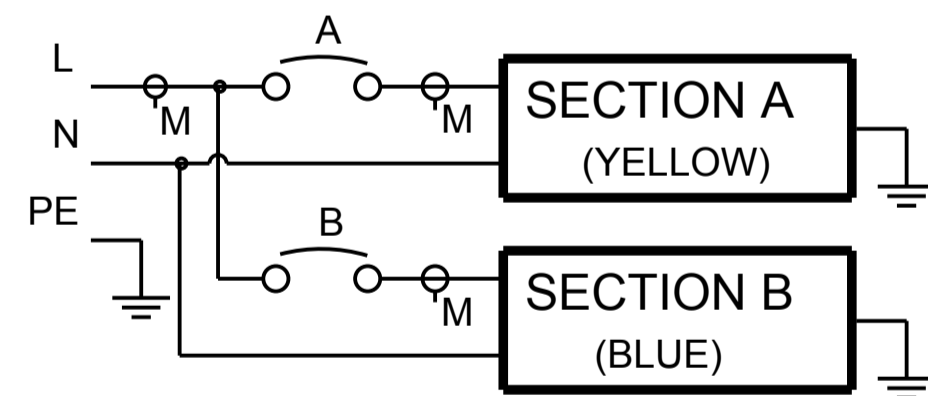


CABLE LENGTH SHOWN NOT TO SCALE

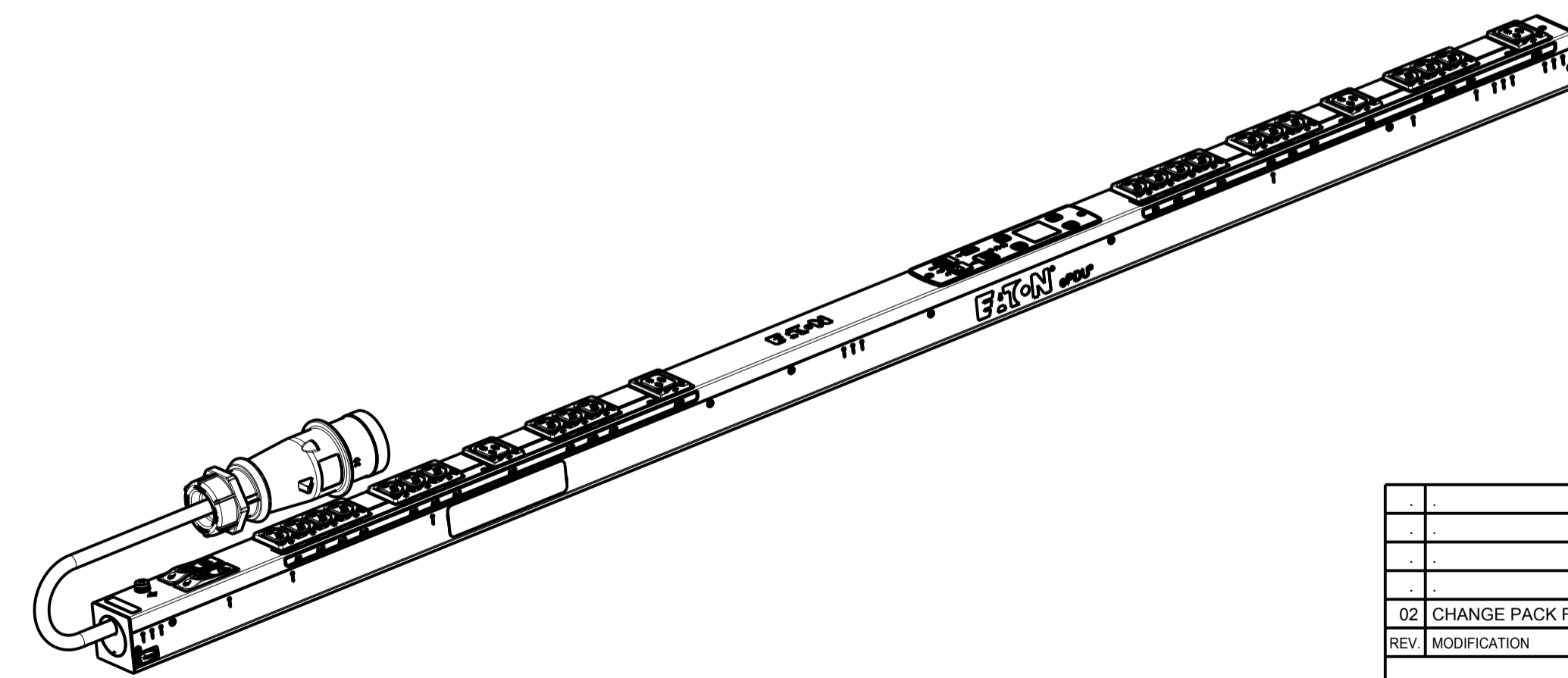


CIRCUIT SCHEMATIC



## ESWB05 G3+ SWITCHED

| FUNCTIONALITY  | INPUT  | OUTPUT   | ENVIRONMENTAL   |
|--|--|--|-----------------|
| CURRENT POWER AND ENERGY METERING FOR INPUT AND BRANCH. INDIVIDUAL OUTLET CONTROL                    | IEC 60309-2 32A 230V~ W+N+PE<br>4.0MM HO7 POWER CORD<br>CABLE LENGTH: 3.0M | (20) IEC 60320 C13 GRIP / P-LOCK<br>(4) IEC 60320 C19 GRIP / P-LOCK  | 0 TO 60 °C      |
| MECHANICAL   | INPUT RATING   | OUTPUT RATING  | CERTIFICATIONS  |
| LENGTH: 1604MM<br>WIDTH: 52 MM<br>DEPTH: 53MM<br>ALUMINIUM CHASSIS, BLACK<br>MNT PATTERN SK-23919-Y1 | 1Ø; 200-240V~;W+N+PE<br>50/60HZ<br>32A                                     | 200-240V~;50/60HZ<br>10A PER C13;16A PER C19<br>16A MAX PER SECTION<br>32A MAX TOTAL                         | CE, CB          |
| CIRCUIT BREAKERS   | FILTER AND SPIKE/SURGE   | ACCESSORIES  | CONFIGURATION   |
| (2) 16A 1-POLE   | NONE   | STANDARD<br>KSP025 - VERT INSTALLATION AND NETWORK PACK KA35<br>OPTIONAL<br>EMPDT1H1C2 - ENVIRONMENTAL PROBE | ESW6CH8FBDD77AM |



PICTORIAL VIEW  
SCALE 0.200

|   |              |   |                 |  |
|---|--------------|---|-----------------|--|
| 02 CHANGE PACK FROM KSP014 TO KSP025  |              | 18.05.2017  | VV              | MB                                       |
| REV   | MODIFICATION | DATE  | DESIGNER        | VERIF                                    |
| EATON HEINEMANN PRODUCTS  |              | VUE/VIEW EUROPE: 1/4  | ECHELLE / SCALE | N° MAG ESWB05                            |
| CH-1345 LE LIEU SWITZERLAND   |              | DESSINE LE / DRAWED THE   | 06.08.2014      | PAR / BY G.McD.                          |
| TRAITEMENT / FINISH NA  |              | VERIFIE PAR / VERIFIED BY M.B.  |                 |  |
| MATERIE / MATERIAL NA   |              | NIVEAU DU CERTIFICAT DE SOUMISSION REQUIS / SAMPLES APPROVAL PROCESS REPORT X |                 |  |
| DESIGNATION EPDU SW 0U (309 32A 1P)20XC13:4XC19   |              | DIMENSIONS AND TOLERANCES IN MILLIMETERS                                      |                 |  |
| COTES A CONTROLER / INSPECTION DIMENSIONS XX.XX   |              | COTES FONCTIONNELLES / FUNCTIONAL DIMENSIONS # XX.XX                          |                 | NUMERO DU PLAN / PLAN NUMBER SK-43019-Y1 |
| Ce document est propriété de Eaton Industries Manufacturing GmbH. Duplication interdite sans autorisation.<br>This document is Eaton Industries Manufacturing GmbH property. Duplication forbidden without authorization. |              | 02  |                 |  |