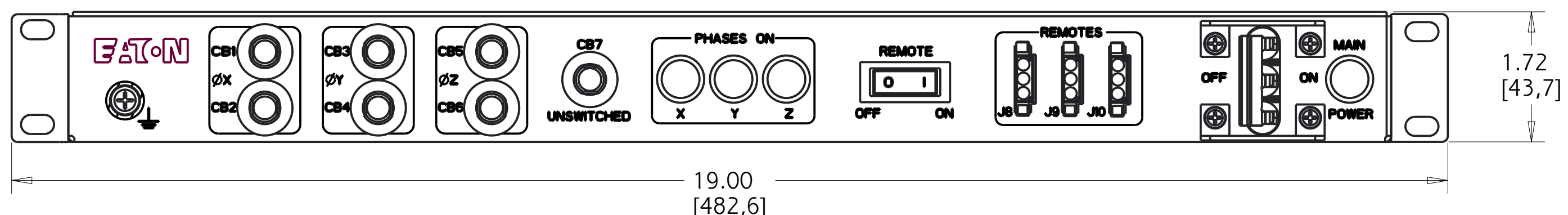
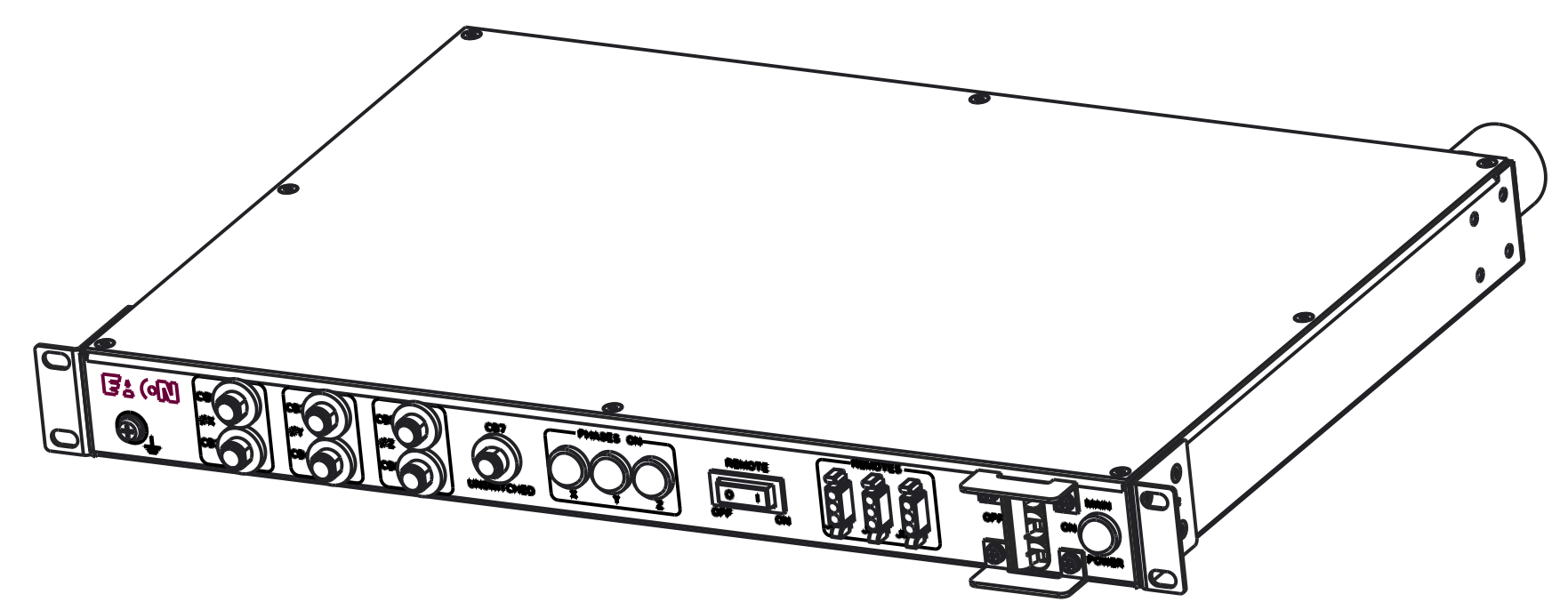
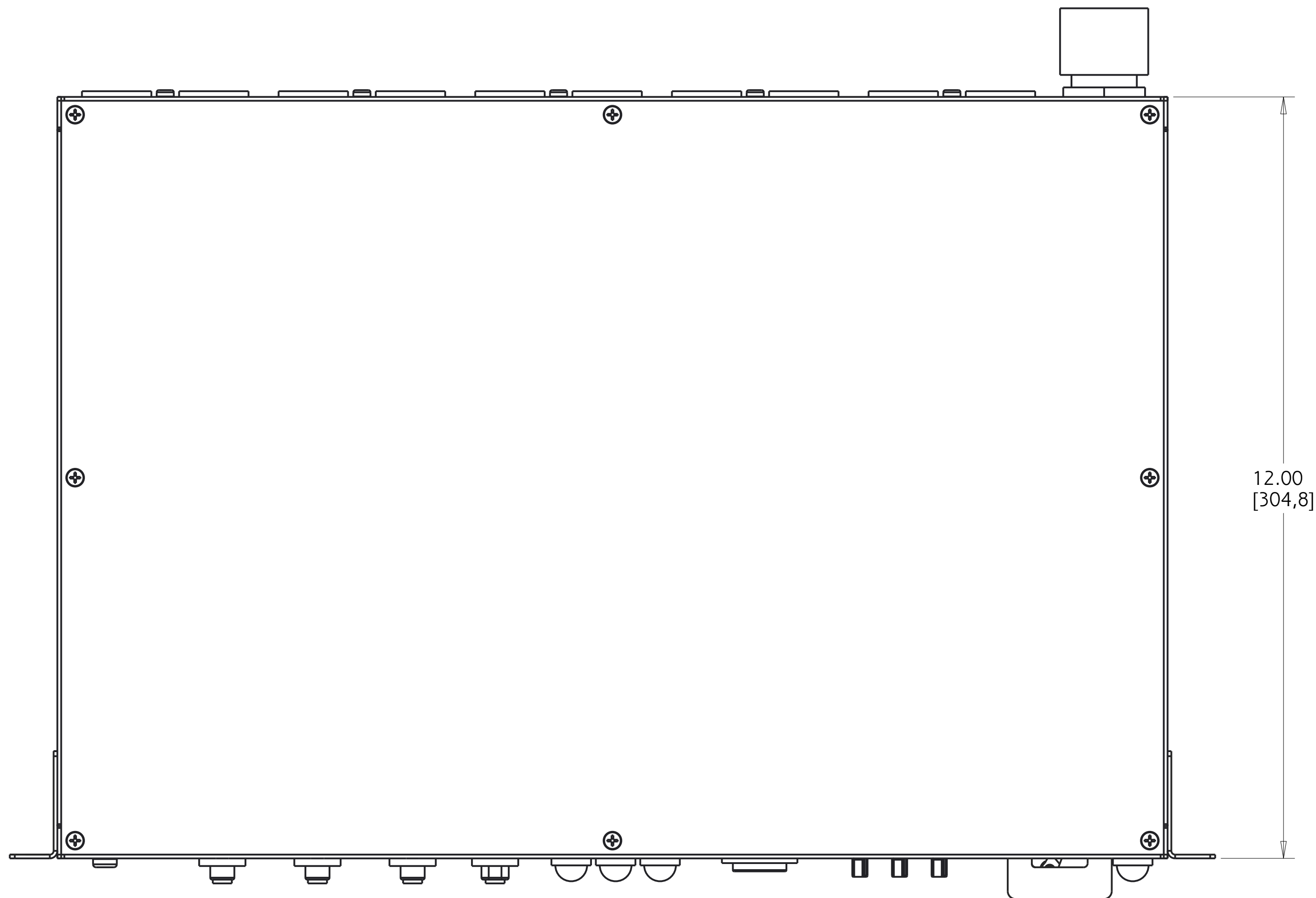
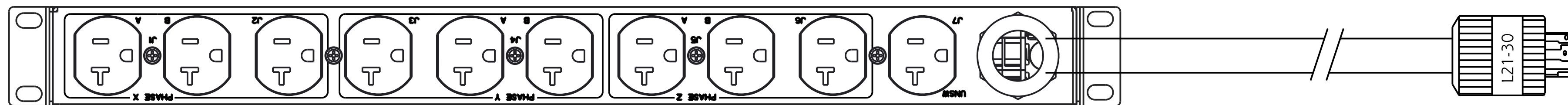
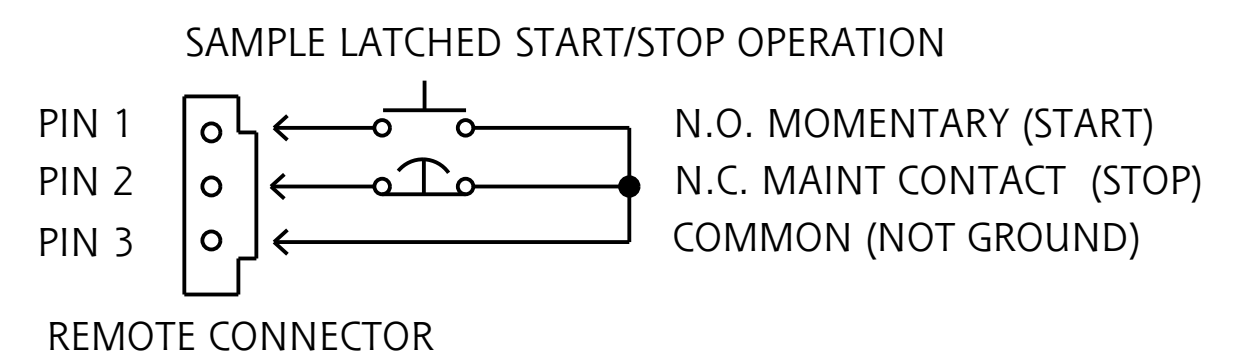


REV	ECO No.	REVISION	DR	CK	AP	DATE



TPC4000-D-LTR REMOTE CONTROL

FUNCTIONALITY POWER CONTROLLER WITH LATCHING REMOTE	INPUT NEMA L21-30 PLUG 15FT 10AWG / 5C SOOW POWERCORD	OUTPUT (10) NEMA 5-20 RECEPTACLES: (9) SWITCHED (1) UNSWITCHED	ENVIRONMENTAL 32° TO 113° F 0° TO 45° C
MECHANICAL 19.00" (482.6mm) WIDTH 1.72" (43.7mm) HEIGHT 12.00" (304.8mm) DEPTH BLACK CHASSIS	INPUT RATING 120/208V ~ 3P + N + PE 24A 50/60HZ	OUTPUT RATING 120V ~ 16A MAX PER BRANCH 24A MAX PER PHASE	CERTIFICATIONS
CIRCUIT BREAKERS MAIN (1) 30A 3-POLE BRANCH (7) 20A 1-POLE	FILTER AND SPIKE/SURGE EMI/RFI FILTER, COMMON AND DIFFERENTIAL MODE SPIKE/SURGE PROTECTION	INDICATOR LIGHTS ONE GREEN FOR MAIN POWER; THREE GREEN, ONE FOR EACH PHASE	ACCESSORIES INCLUDED SUB-HRDWARE-001 - PANEL MOUNT KIT SCREWS SPK030 - PANEL MOUNT KIT CAGE NUTS REMOTE02 - REMOTE CONNECTOR KIT (3)



LATCHED REMOTE: REMOTE START ONLY
 NO MTD: ALL SECTIONS POWER UP WHEN UNIT IS STARTED

J8 & J9 REMOTE PORTS
 J10 SEQUENCE PORT

METRIC	THIRD ANGLE PROJECTION	EATON CORPORATION, ELECTRICAL	EATON	SIZE D
SPECIFICATION DRAWING TPC4000-D-LTR				
MODIFIED BY: J. OSBORNE	DATE: 1 APR 2019	UNLESS OTHERWISE SPECIFIED TOLERANCES ON DIMENSIONS ARE: ANGLES: ±1/2° DECIMALS: 0.X (FOR X < 3): ±1 HOLES: ±0.13 DIA: ±0.25 X (FOR X > 3): ±2.5 DIMENSIONS ARE IN MILLIMETERS (INCHES) AND AFTER PLATING		SCALE: 0.700 DO NOT SCALE DRAWING OR CHANGE MANUALLY
ECO: 160694	STATE: RELEASE	PRO-ENGINEER GENERATED	PART NAME: TPC4000-D-LTR	REVISION: 01 SHEET: 1 of 1
<small>EATON CORPORATION - CONFIDENTIAL AND PROPRIETARY NOTICE TO PERSONS RECEIVING THIS DOCUMENT AND/OR TECHNICAL INFORMATION THIS DOCUMENT, INCLUDING THE DRAWING AND INFORMATION CONTAINED THEREON, IS CONFIDENTIAL AND IS THE EXCLUSIVE PROPERTY OF EATON CORPORATION AND IS SUBJECT TO RECALL BY EATON AT ANY TIME. BY TAKING POSSESSION OF THIS DOCUMENT, THE RECIPIENT ACKNOWLEDGES AND AGREES THAT THIS DOCUMENT CANNOT BE USED IN ANY MANNER AGREE TO THE INTERESTS OF EATON, AND THAT NO PORTION OF THIS DOCUMENT MAY BE COPIED OR OTHERWISE REPRODUCED WITHOUT THE PRIOR WRITTEN CONSENT OF EATON. IN THE CASE OF CONFLICTING CONTRACTUAL PROVISIONS, THIS NOTICE SHALL GOVERN THE STATUS OF THIS DOCUMENT. © 2008 Eaton Corporation - All Rights Reserved.</small>				