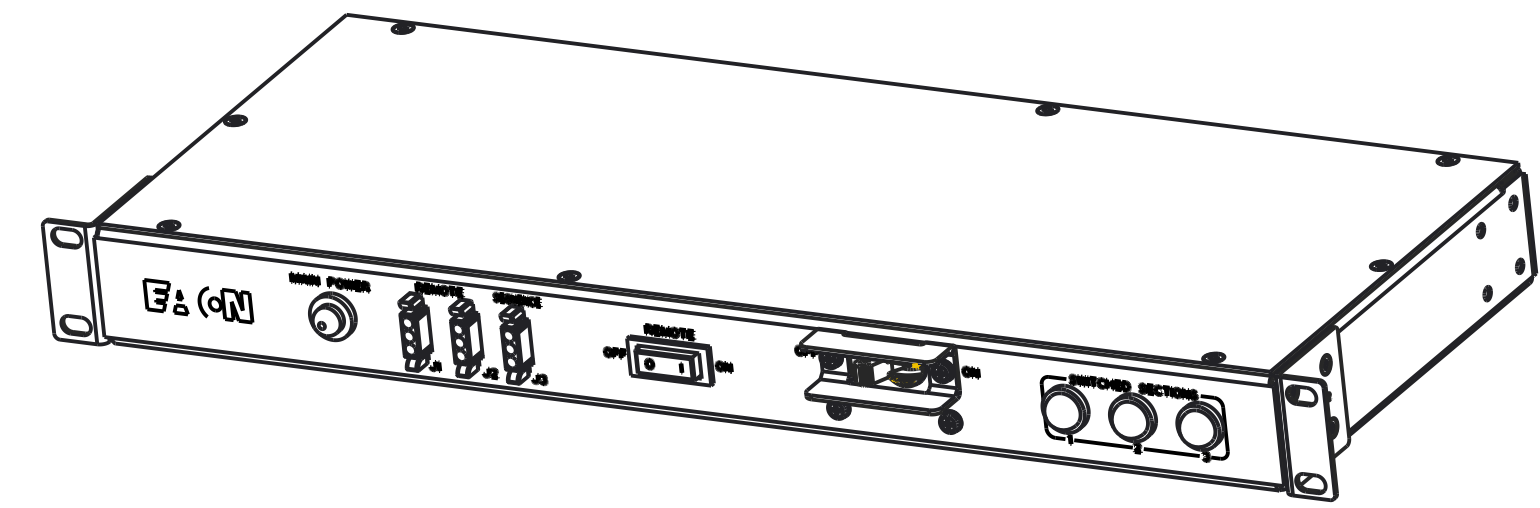
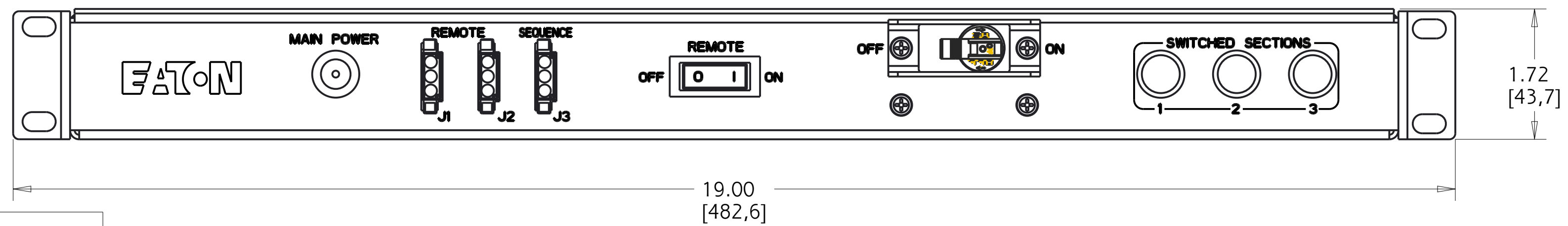
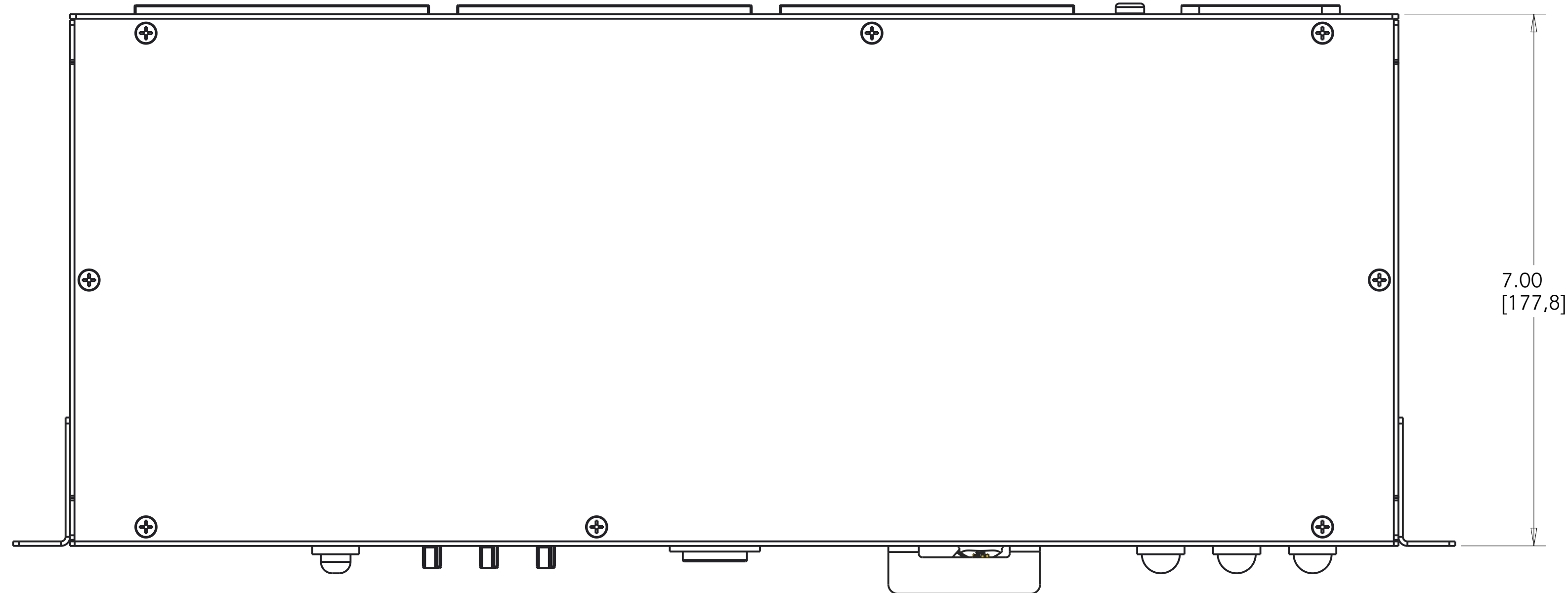
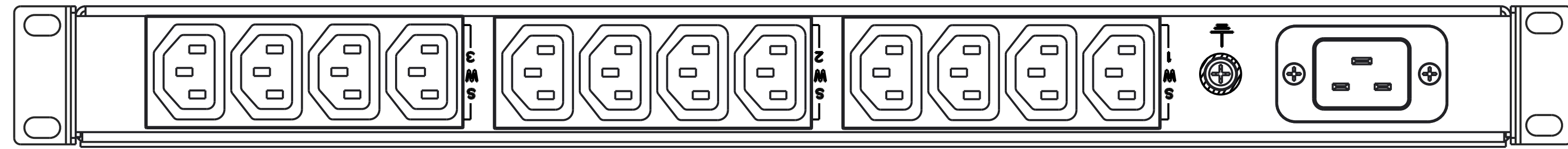
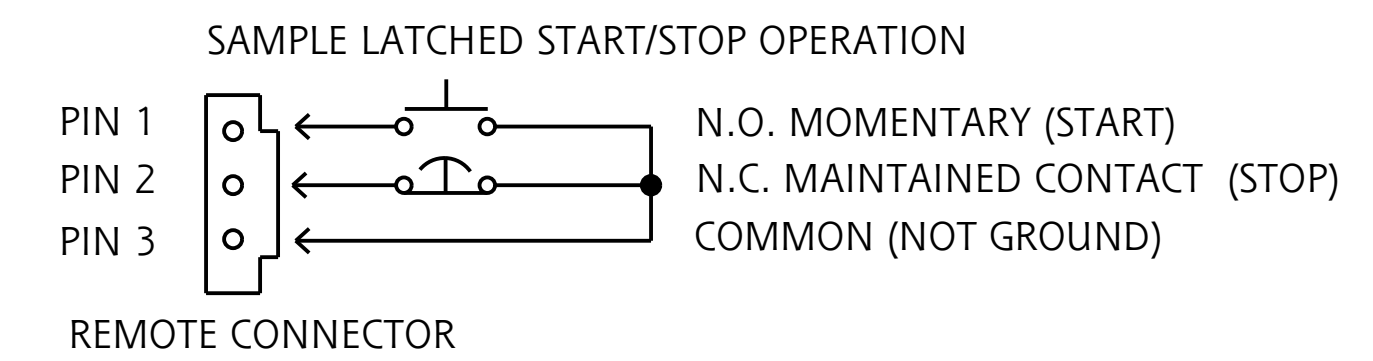


REV	ECO No.	REVISION	DR	CK	AP	DATE
02	140379	ADD 095-4003 TO BOM	J.O.			16 MAY 18
03	174392	MOVE BRKR & USE WHIZ NUTS	J.O.			21 OCT 19



## TPC2365-LTMTD-R REMOTE CONTROL

FUNCTIONALITY	INPUT	OUTPUT	ENVIRONMENTAL
POWER CONTROLLER WITH LATCHING REMOTE	IEC C20 INLET	(12) IEC C13	32° TO 113° F 0° TO 45° C
MECHANICAL	INPUT RATING	OUTPUT RATING	CERTIFICATIONS
19.00" (482.6mm) WIDTH 1.72" (43.7mm) HEIGHT 7.00" (177.8mm) DEPTH BLACK CHASSIS	100-240V ~ W + N + PE OR 2W + PE 16A 50/60HZ	100-240V ~ 10A MAX PER C13 GANG 16A MAX TOTAL	  REGULATORY MODEL ER212ECAB1B2MCA
CIRCUIT BREAKER	FILTER AND SPIKE/SURGE	INDICATOR LIGHTS	ACCESSORIES INCLUDED
MAIN: (1) 20A 2-POLE LISTED	EMI/RFI FILTER, COMMON AND DIFFERENTIAL MODE SPIKE/SURGE PROTECTION	ONE GREEN FOR MAIN POWER; THREE GREEN, ONE FOR EACH SECTION	SUB-HRDWARE-001 - PANEL MOUNT KIT SCREWS SPK030 - PANEL MOUNT KIT CAGE NUTS REMOTE02 - REMOTE CONNECTOR KIT (3)



LATCHED REMOTE: REMOTE START ONLY.  
MTD: SECTIONS POWER UP AT 4-SECOND INTERVALS WHEN UNIT IS STARTED.

METRIC		THIRD ANGLE PROJECTION		EATON CORPORATION, ELECTRICAL		EATON		SIZE D
SPECIFICATION DRAWING TPC2365-LTMTD-R								
MODIFIED BY: J. OSBORNE	DATE: 23 APR 2018	UNLESS OTHERWISE SPECIFIED TOLERANCES ON DIMENSIONS ARE:			SCALE: 0.800			
ECO: 138805	STATE: RELEASE	ANGLES: ±10°	DECIMALS: 0.X (FOR X < 3) ±1	HOLES: ±0.13	0.XX: ±0.25	X (FOR X > 3): ±2.5	DO NOT SCALE DRAWING OR CHANGE MANUALLY	
PRO-ENGINEER GENERATED		PART NAME: TPC2365-LTMTD-R		REVISION: 03		SHEET: 1 of 1		
<small>EATON CORPORATION - CONFIDENTIAL AND PROPRIETARY NOTICE TO PERSONS RECEIVING THIS DOCUMENT AND/OR TECHNICAL INFORMATION THIS DOCUMENT, INCLUDING THE DRAWING AND INFORMATION CONTAINED THEREON, IS CONFIDENTIAL AND IS THE EXCLUSIVE PROPERTY OF EATON CORPORATION AND IS SUBJECT TO RECALL BY EATON AT ANY TIME. BY TAKING POSSESSION OF THIS DOCUMENT, THE RECIPIENT ACKNOWLEDGES AND AGREES THAT THIS DOCUMENT CANNOT BE USED IN ANY MANNER ADVERSE TO THE INTERESTS OF EATON, AND THAT NO PORTION OF THIS DOCUMENT MAY BE COPIED OR OTHERWISE REPRODUCED WITHOUT THE PRIOR WRITTEN CONSENT OF EATON. IN THE CASE OF CONFLICTING CONTRACTUAL PROVISIONS, THIS NOTICE SHALL GOVERN THE STATUS OF THIS DOCUMENT. © 2008 Eaton Corporation - All Rights Reserved.</small>								