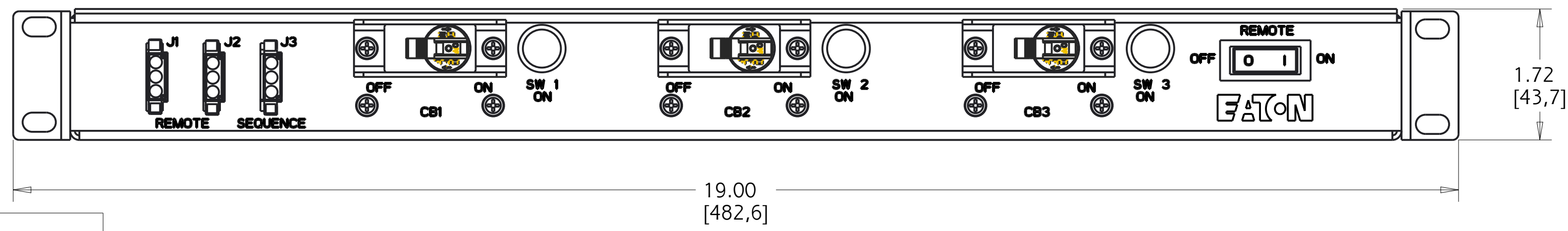
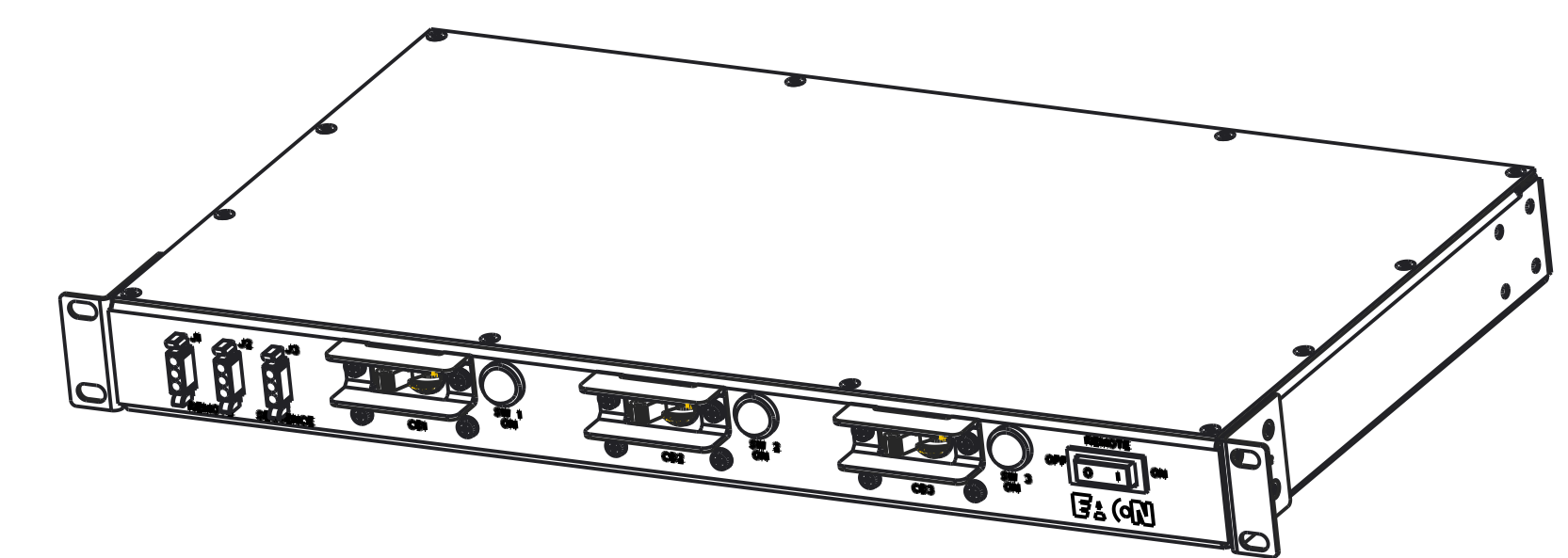
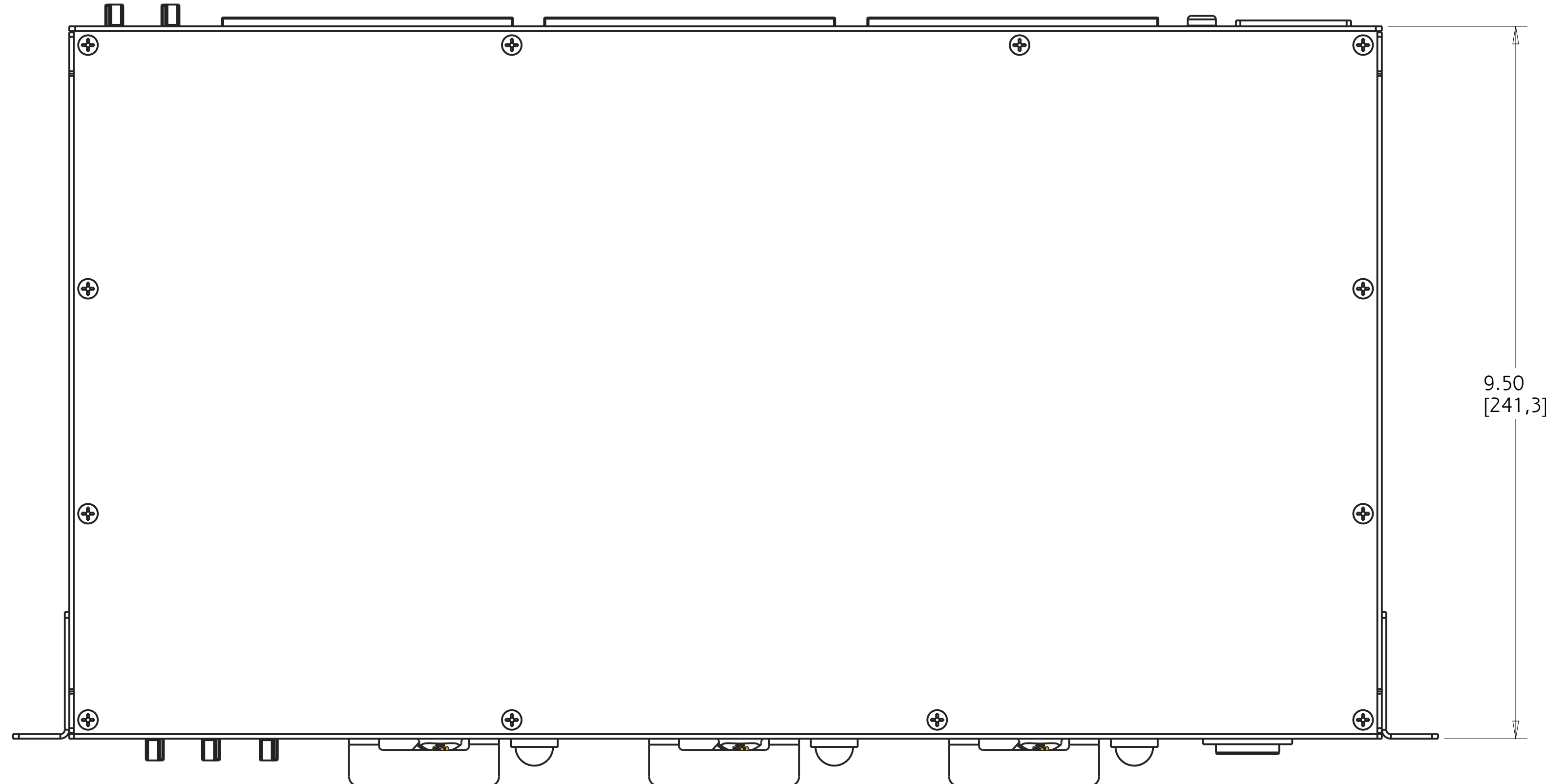
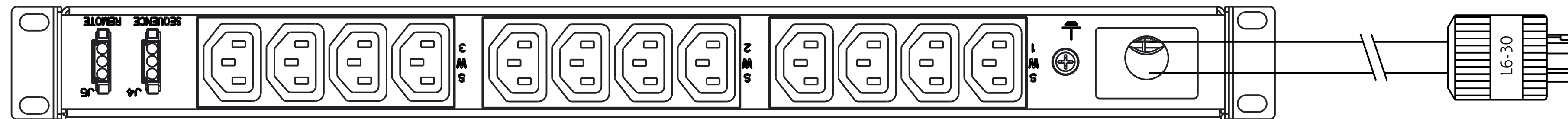

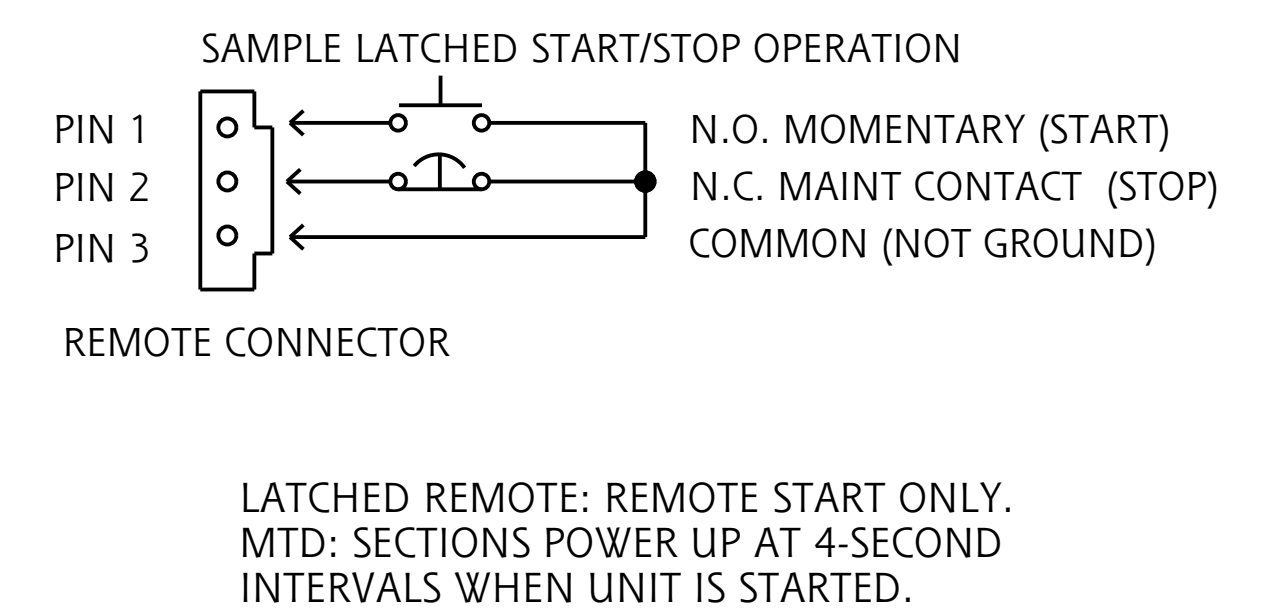



REV	ECO No.	REVISION	DR	CK	AP	AP	DATE



# TPC2365-3732R REMOTE CONTROL

<b>FUNCTIONALITY</b> POWER CONTROLLER WITH LATCHING REMOTE	<b>INPUT</b> NEMA L6-30 PLUG 15FT 10AWG / 3C SJT POWERCORD	<b>OUTPUT</b> (12) IEC C13	<b>ENVIRONMENTAL</b> 32° TO 113° F 0° TO 45° C
<b>MECHANICAL</b> 19.00" (482.6mm) WIDTH 1.72" (43.7mm) HEIGHT 9.50" (241.3mm) DEPTH BLACK CHASSIS	<b>INPUT RATING</b> 200-240V ~ 2W + PE 24A 50/60HZ	<b>OUTPUT RATING</b> 200-240V ~ ; 8A 8A MAX PER SECTION 24A MAX TOTAL	<b>CERTIFICATIONS</b>  REGULATORY MODEL ER212MTYC3D2MCA
<b>CIRCUIT BREAKER</b> (3) 10A 2-POLE UL LISTED	<b>FILTER AND SPIKE/SURGE</b> EMI/RFI FILTER, COMMON AND DIFFERENTIAL MODE SPIKE/SURGE PROTECTION	<b>INDICATOR LIGHTS:</b> THREE GREEN, ONE FOR EACH SECTION	<b>ACCESSORIES INCLUDED</b> SUB-HRDWARE-001 - PANEL MOUNT KIT SCREWS SPK030 - PANEL MOUNT KIT CAGE NUTS REMOTE02 - REMOTE CONNECTOR KIT (5)



THIRD ANGLE PROJECTION		EATON CORPORATION, ELECTRICAL			SIZE D
SPECIFICATION DRAWING TPC2365-3732R					
MODIFIED BY: J. OSBORNE	DATE: 16 AUG 2019	UNLESS OTHERWISE SPECIFIED TOLERANCES ON DIMENSIONS ARE: ANGLES: ±10° HOLES: ±0.013 DIMENSIONS ARE IN MILLIMETERS (INCHES) AND AFTER PLATING		SCALE: 0.800 DO NOT SCALE DRAWING OR CHANGE MANUALLY	
ECO: 170426	STATE: RELEASE	PART NAME: TPC2365-3732R		REVISION: 01	SHEET: 1 of 1
<small>EATON CORPORATION - CONFIDENTIAL AND PROPRIETARY NOTICE TO PERSONS RECEIVING THIS DOCUMENT AND/OR TECHNICAL INFORMATION THIS DOCUMENT, INCLUDING THE DRAWING AND INFORMATION CONTAINED THEREON, IS CONFIDENTIAL AND IS THE EXCLUSIVE PROPERTY OF EATON CORPORATION AND IS SUBJECT TO RECALL BY EATON AT ANY TIME. BY TAKING POSSESSION OF THIS DOCUMENT, THE RECIPIENT ACKNOWLEDGES AND AGREES THAT THIS DOCUMENT CANNOT BE USED IN ANY MANNER ADVERSE TO THE INTERESTS OF EATON, AND THAT NO PORTION OF THIS DOCUMENT MAY BE COPIED OR OTHERWISE REPRODUCED WITHOUT THE PRIOR WRITTEN CONSENT OF EATON. IN THE CASE OF CONFLICTING CONTRACTUAL PROVISIONS, THIS NOTICE SHALL GOVERN THE STATUS OF THIS DOCUMENT. © 2008 Eaton Corporation - All Rights Reserved.</small>					