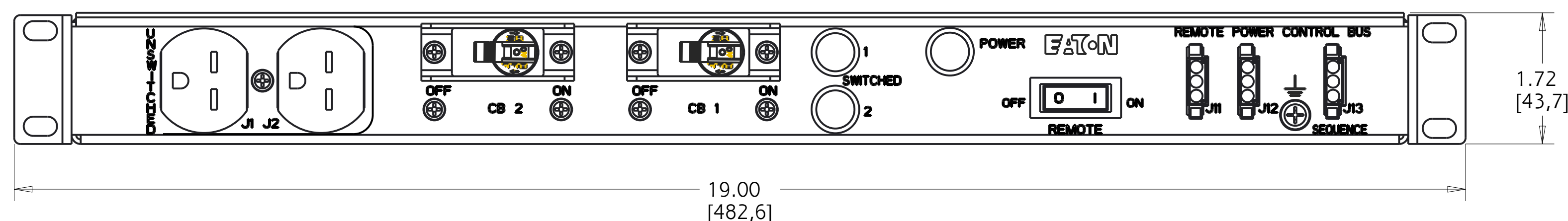
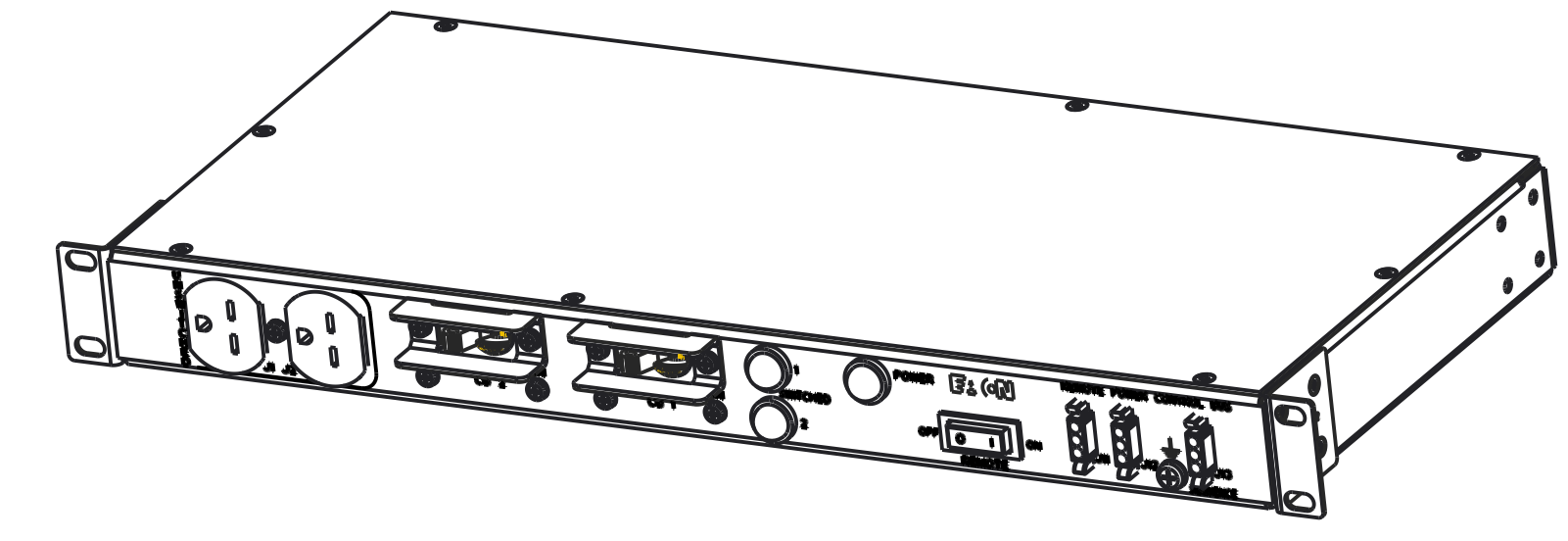
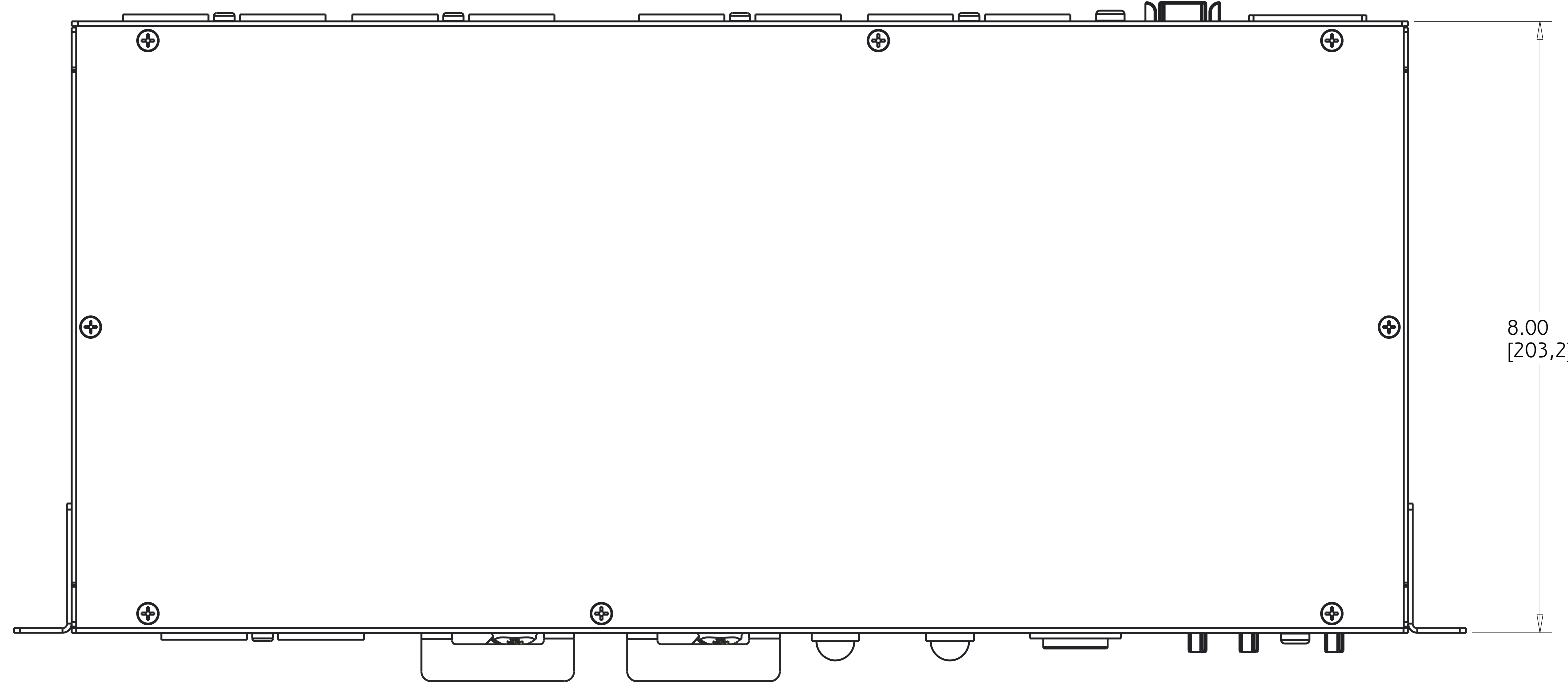
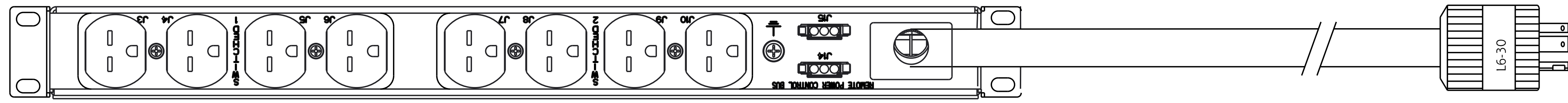

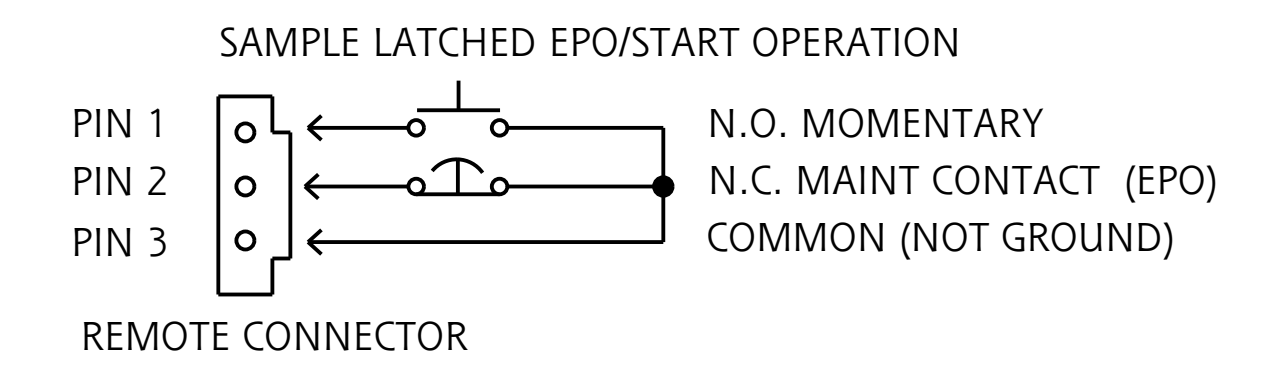


REV	ECO No.	REVISION	DR	CK	AP	DATE




TPC115-10F-LTR REMOTE EPO

FUNCTIONALITY POWER CONTROLLER WITH LATCHING REMOTE	INPUT NEMA L6-30 PLUG 15FT 10AWG / 3C POWERCORD	OUTPUT (10) NEMA 6-15 RECEPTACLES: (8) SWITCHED (2) UNSWITCHED	ENVIRONMENTAL 32° TO 113° F 0° TO 45° C
MECHANICAL 19.00" (482.6mm) WIDTH 1.72" (43.7mm) HEIGHT 8.00" (203.2mm) DEPTH BLACK CHASSIS	INPUT RATING 200-240V ~; 50/60HZ 24A 2W + PE	OUTPUT RATING 200-240V 16A MAX PER GANG 24A MAX TOTAL	CERTIFICATIONS  REGULATORY MODEL ER212MTYB2D2LFA
CIRCUIT BREAKERS MAIN-BRANCH: 20A 2-POLE LISTED CB1 BRANCH: 20A 2-POLE LISTED CB2	FILTER AND SPIKE/SURGE EMI/RFI FILTER, COMMON AND DIFFERENTIAL MODE SPIKE/SURGE PROTECTION	INDICATOR LIGHTS ONE GREEN FOR MAIN POWER; TWO GREEN, ONE FOR EACH SECTION	ACCESSORIES INCLUDED SUB-HRDWARE-001 - PANEL MOUNT KIT SCREWS SPK030 - PANEL MOUNT KIT CAGE NUTS REMOTE02 - REMOTE CONNECTOR KIT (5)



LATCHED REMOTE: REMOTE START ONLY
 NO MTD: ALL SECTIONS POWER UP WHEN UNIT IS STARTED

METRIC	THIRD ANGLE PROJECTION	EATON CORPORATION, ELECTRICAL		SIZE D
SPECIFICATION DRAWING TPC115-10F-LTR				
MODIFIED BY: J. OSBORNE	DATE: 13 MAR 2018	UNLESS OTHERWISE SPECIFIED TOLERANCES ON DIMENSIONS ARE: ANGLES: ±1/2° HOLES: ±0.013 DIMENSIONS ARE IN MILLIMETERS (INCHES) AND AFTER PLATING		SCALE: 0.800 DO NOT SCALE DRAWING OR CHANGE MANUALLY
ECO: 160374	STATE: RELEASE	PART NAME: TPC115-10F-LTR		REVISION: 01
PRO-ENGINEER GENERATED		REVISION: 01		SHEET: 1 of 1

EATON CORPORATION - CONFIDENTIAL AND PROPRIETARY NOTICE TO PERSONS RECEIVING THIS DOCUMENT AND/OR TECHNICAL INFORMATION THIS DOCUMENT, INCLUDING THE DRAWING AND INFORMATION CONTAINED THEREON, IS CONFIDENTIAL AND IS THE EXCLUSIVE PROPERTY OF EATON CORPORATION AND IS SUBJECT TO RECALL BY EATON AT ANY TIME. BY TAKING POSSESSION OF THIS DOCUMENT, THE RECIPIENT ACKNOWLEDGES AND AGREES THAT THIS DOCUMENT CANNOT BE USED IN ANY MANNER ADVERSE TO THE INTERESTS OF EATON, AND THAT NO PORTION OF THIS DOCUMENT MAY BE COPIED OR OTHERWISE REPRODUCED WITHOUT THE PRIOR WRITTEN CONSENT OF EATON. IN THE CASE OF CONFLICTING CONTRACTUAL PROVISIONS, THIS NOTICE SHALL GOVERN THE STATUS OF THIS DOCUMENT. © 2008 Eaton Corporation - All Rights Reserved.