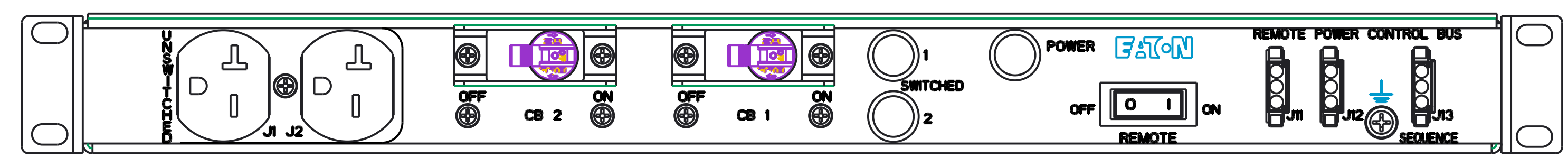
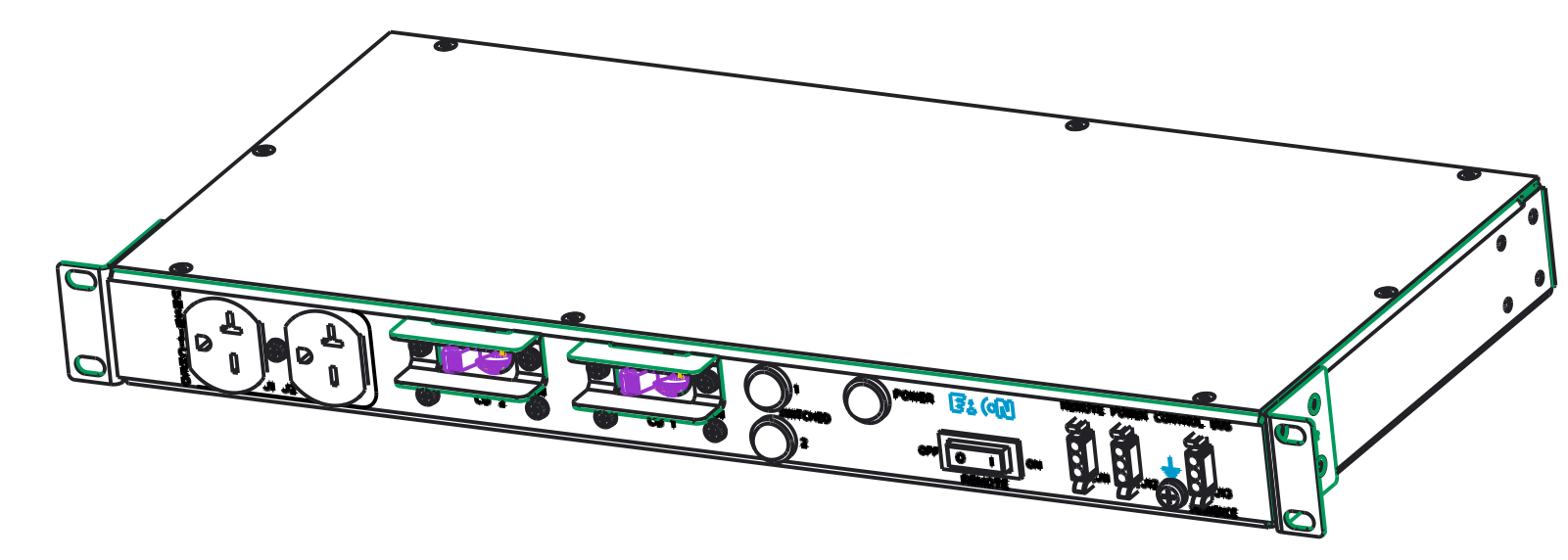
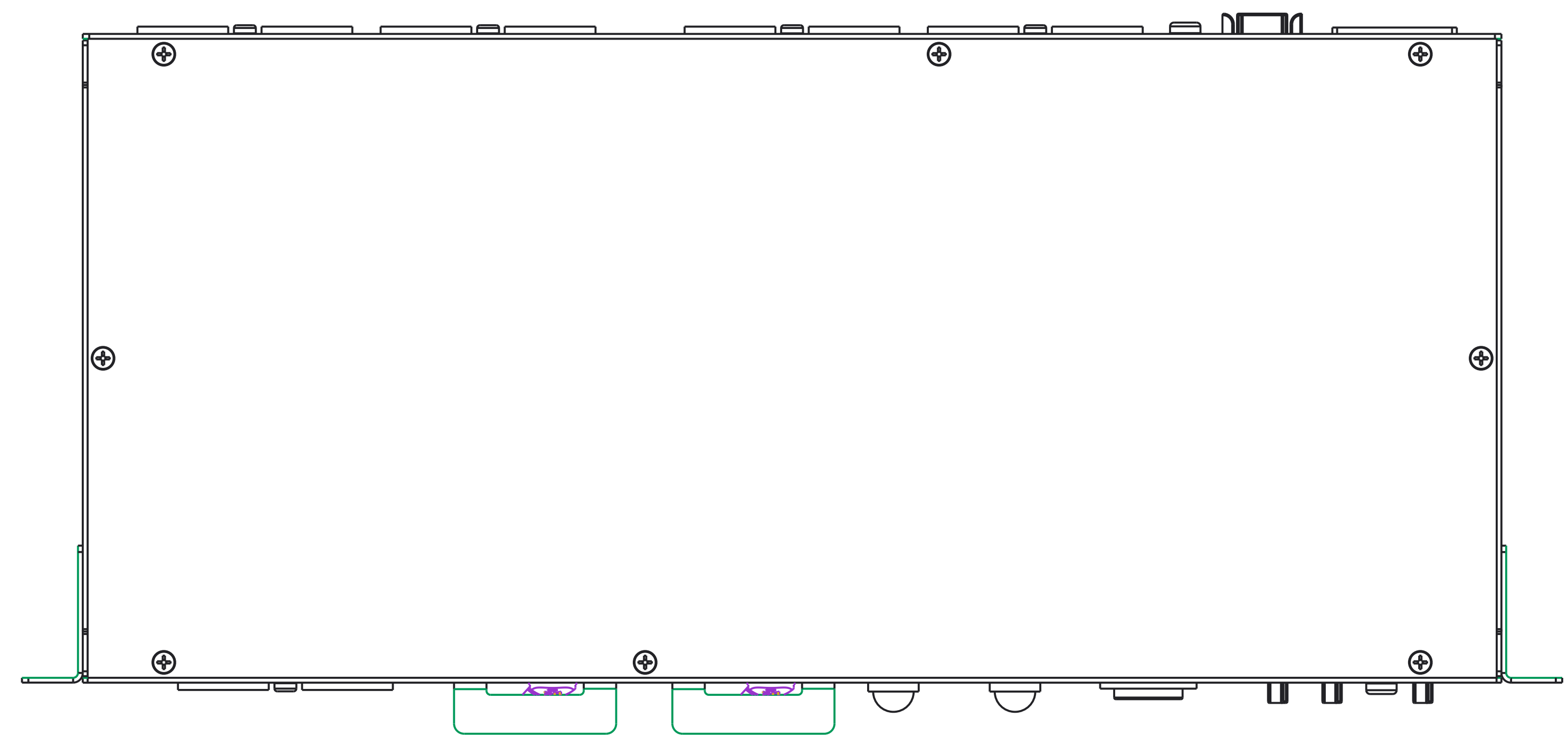
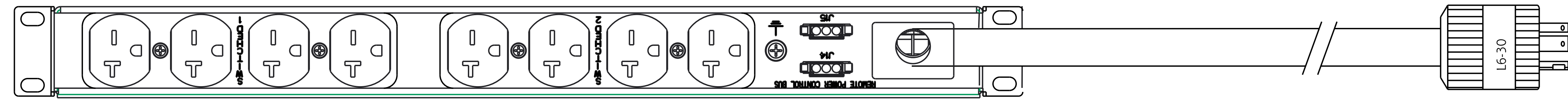
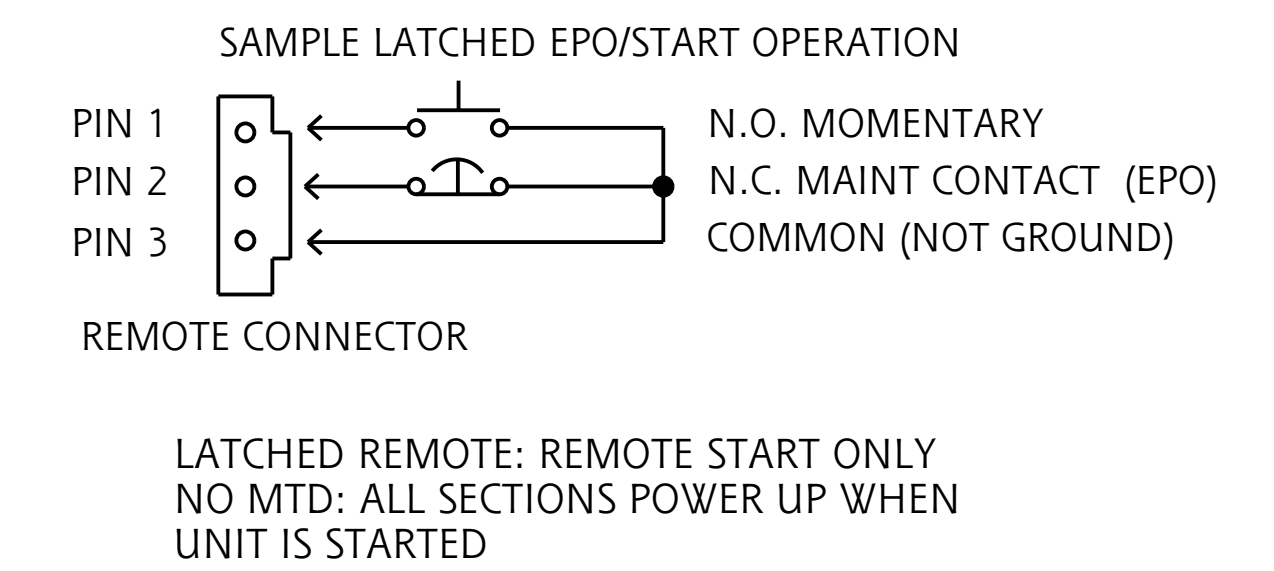


REV	ECO No.	REVISION	DR	CK	AP	DATE
02	134253	UPDATE REGULATORY No.	J.O.			9 FEB 18
03	137183	ADDED UL MARK	J.O.			22 MAR 18
04	138478	ADDED 2W + PE	J.O.			10 APR 18



TPC115-10F-574R REMOTE EPO

FUNCTIONALITY	INPUT	OUTPUT	ENVIRONMENTAL
POWER CONTROLLER WITH LATCHING REMOTE	NEMA L6-30 PLUG 6FT 10AWG / 3C POWERCORD	(10) NEMA 6-20 RECEPTACLES: (8) SWITCHED (2) UNSWITCHED	32° TO 113° F 0° TO 45° C
MECHANICAL	INPUT RATING	OUTPUT RATING	CERTIFICATIONS
19.00" (482.6mm) WIDTH 1.72" (43.7mm) HEIGHT 8.00" (203.2mm) DEPTH BLACK CHASSIS	200-240V ~; 50/60HZ 24A 2W + PE	200-240V 16A MAX PER GANG 24A MAX TOTAL	 REGULATORY MODEL ER212MT6B2D2LFB
CIRCUIT BREAKERS	FILTER AND SPIKE/SURGE	INDICATOR LIGHTS	ACCESSORIES INCLUDED
MAIN-BRANCH: 20A 2-POLE LISTED CB1 BRANCH: 20A 2-POLE LISTED CB2	EMI/RFI FILTER, COMMON AND DIFFERENTIAL MODE SPIKE/SURGE PROTECTION	ONE GREEN FOR MAIN POWER; TWO GREEN, ONE FOR EACH SECTION	SUB-HRDWARE-001 - PANEL MOUNT KIT SCREWS SPK030 - PANEL MOUNT KIT CAGE NUTS REMOTE02 - REMOTE CONNECTOR KIT (5)



METRIC	THIRD ANGLE PROJECTION	EATON CORPORATION, ELECTRICAL		SIZE D
SPECIFICATION DRAWING TPC115-10F-574R				
MODIFIED BY: J. OSBORNE	DATE: 6 NOV 2017	UNLESS OTHERWISE SPECIFIED TOLERANCES ON DIMENSIONS ARE: ANGLES: ±1/2° DECIMALS: 0.X: ±0.75 X, (FOR X < 3): ±1 HOLES: ±0.013 0.XX: ±0.25 X (FOR X > 3); ±2.5		SCALE: 0.800 DO NOT SCALE DRAWING OR CHANGE MANUALLY
ECO: 129276	STATE: RELEASE	DIMENSIONS ARE IN MILLIMETERS (INCHES) AND AFTER PLATING		
PRO-ENGINEER GENERATED	PART NAME: TPC115-10F-574R	REVISION: 04	SHEET: 1 of 1	

EATON CORPORATION - CONFIDENTIAL AND PROPRIETARY NOTICE TO PERSONS RECEIVING THIS DOCUMENT AND/OR TECHNICAL INFORMATION THIS DOCUMENT, INCLUDING THE DRAWING AND INFORMATION CONTAINED THEREON, IS CONFIDENTIAL AND IS THE EXCLUSIVE PROPERTY OF EATON CORPORATION AND IS HEREBY ON LOAN AND SUBJECT TO RECALL BY EATON AT ANY TIME. BY TAKING POSSESSION OF THIS DOCUMENT, THE RECIPIENT ACKNOWLEDGES AND AGREES THAT THIS DOCUMENT CANNOT BE USED IN ANY MANNER ADVERSE TO THE INTERESTS OF EATON, AND THAT NO PORTION OF THIS DOCUMENT MAY BE COPIED OR OTHERWISE REPRODUCED WITHOUT THE PRIOR WRITTEN CONSENT OF EATON. IN THE CASE OF CONFLICTING CONTRACTUAL PROVISIONS, THIS NOTICE SHALL GOVERN THE STATUS OF THIS DOCUMENT. © 2008 Eaton Corporation - All Rights Reserved.