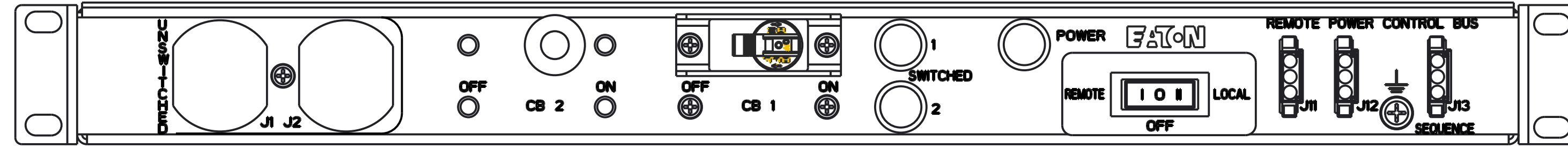
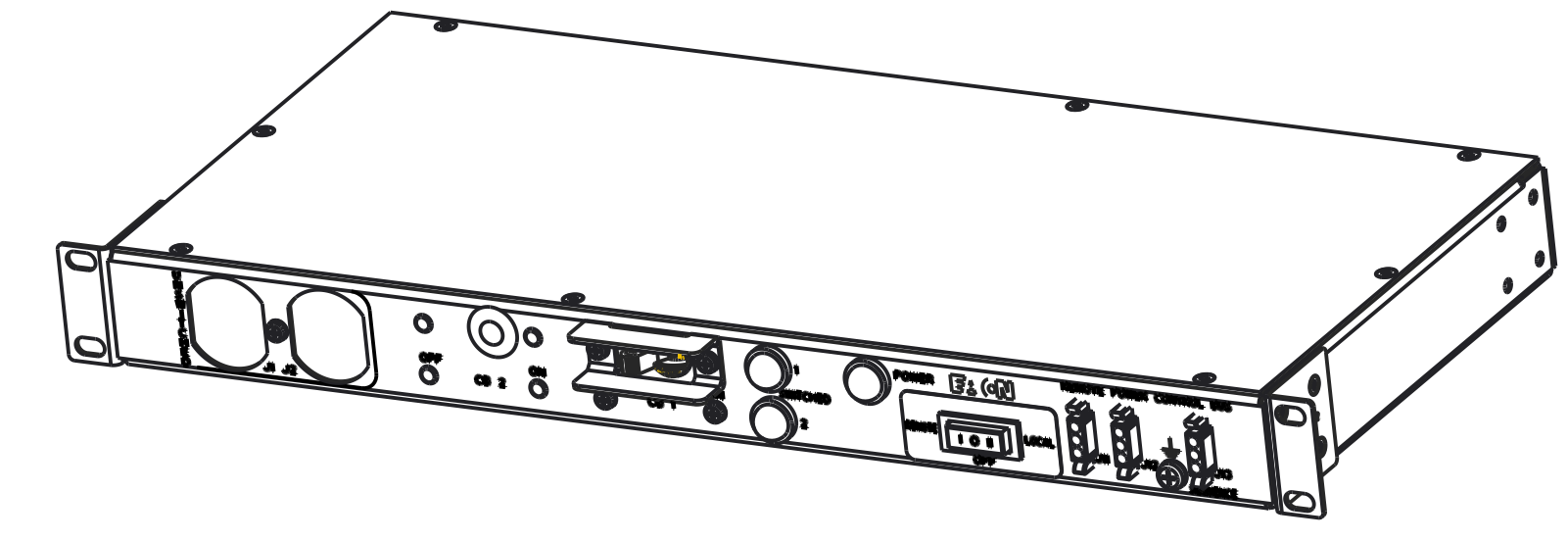
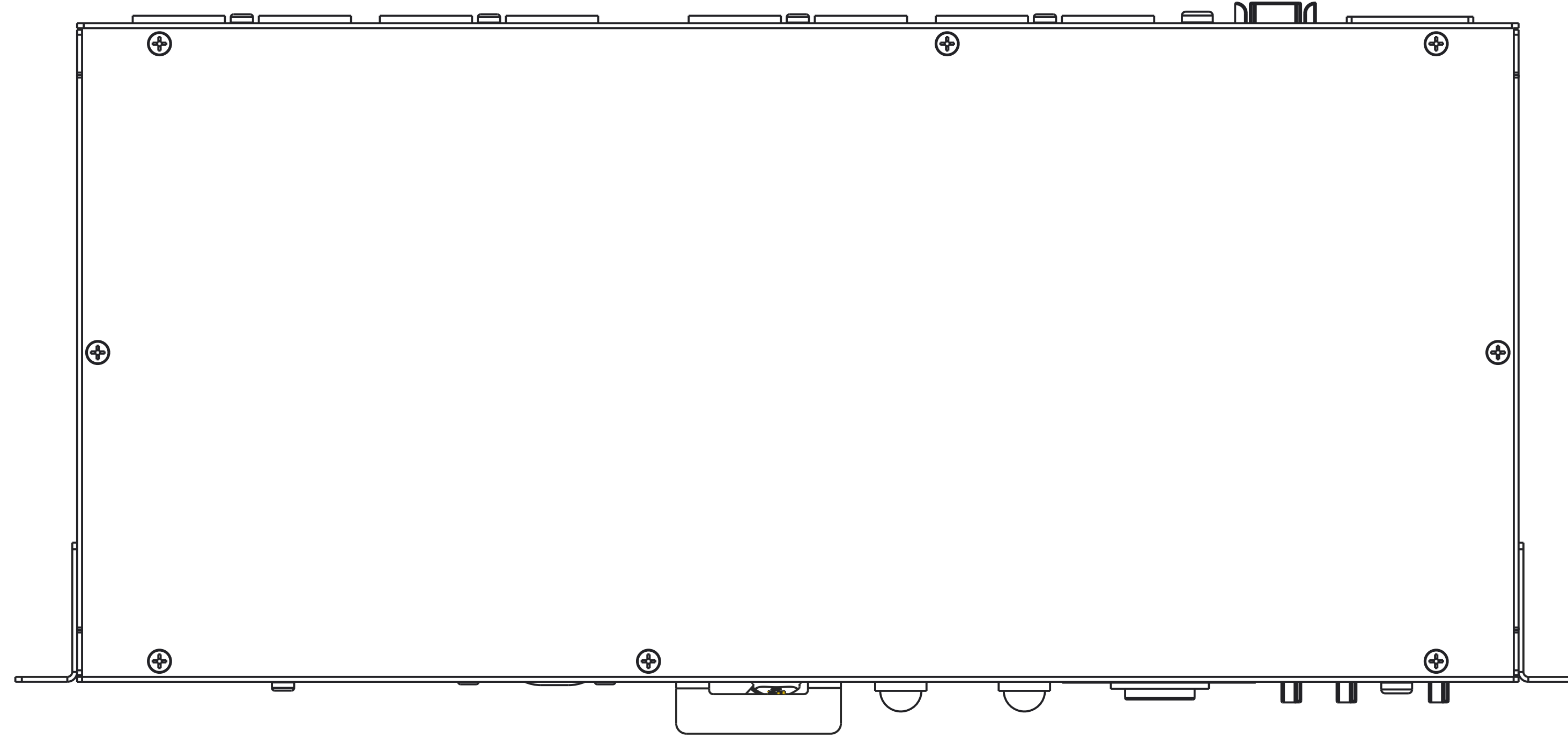
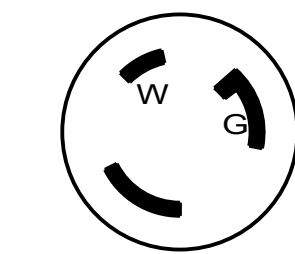
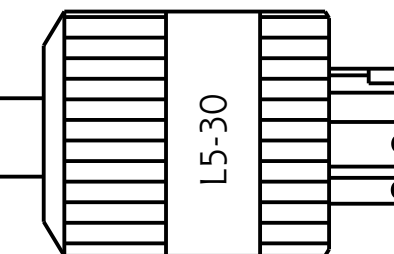
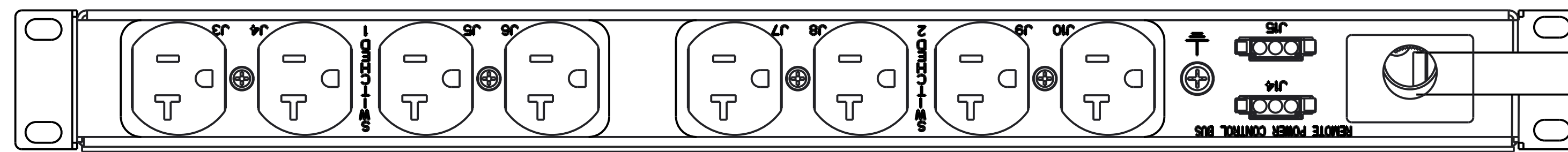

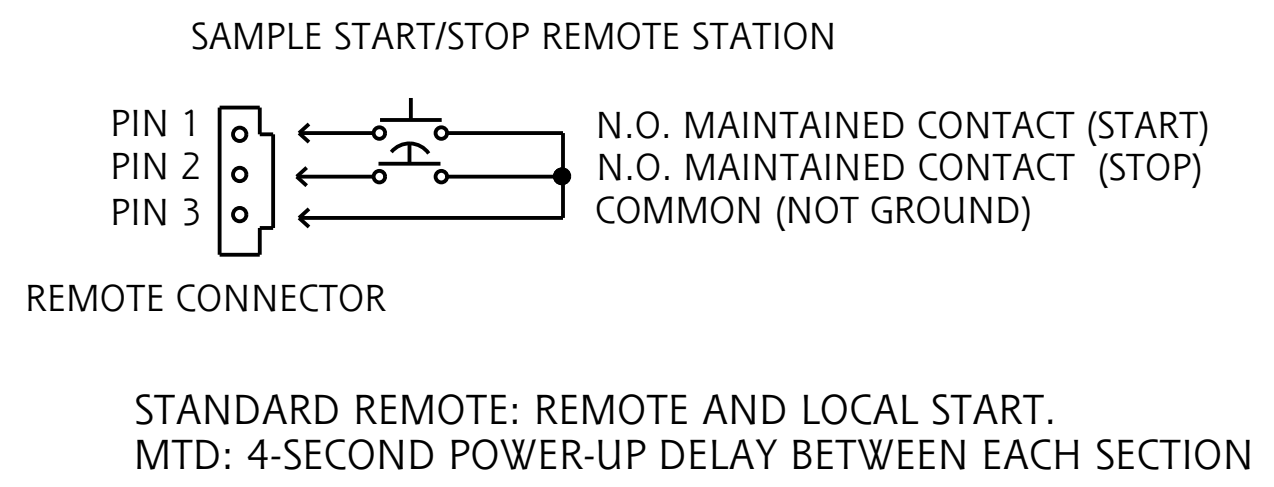


REV	ECO No.	REVISION	DR	CK	AP	AP	DATE



TPC115-10D-352R REMOTE CONTROL

FUNCTIONALITY POWER CONTROLLER WITH STANDARD REMOTE	INPUT NEMA L5-30 PLUG 15FT 10AWG / 3C PLENUM POWERCORD	OUTPUT (8) NEMA 5-20 RECEPTACLES:	ENVIRONMENTAL 32° TO 113° F 0° TO 45° C
MECHANICAL 19.00" (482.6mm) WIDTH 1.72" (43.7mm) HEIGHT 8.00" (203.2mm) DEPTH BLACK CHASSIS	INPUT RATING 100-127V ~ W + N + PE 24A 50/60HZ	OUTPUT RATING 100-127V ~ 12A MAX PER SECTION 24A MAX TOTAL 50/60HZ	CERTIFICATIONS  REGULATORY MODEL ER212MGYD1D2UEE
CIRCUIT BREAKERS 15A 2-POLE UL LISTED CB1	FILTER AND SPIKE/SURGE EMI/RFI FILTER, COMMON AND DIFFERENTIAL MODE SPIKE/SURGE PROTECTION	INDICATOR LIGHTS ONE GREEN FOR MAIN POWER; TWO GREEN, ONE FOR EACH SECTION	ACCESSORIES INCLUDED SUB-HRDWARE-001 - PANEL MOUNT KIT SCREWS SPK030 - PANEL MOUNT KIT CAGE NUTS REMOTE02 - REMOTE CONNECTOR KIT (5)



METRIC	THIRD ANGLE PROJECTION	EATON CORPORATION, ELECTRICAL	EATON	SIZE D
SPECIFICATION DRAWING TPC115-10D-352R				
MODIFIED BY: J. OSBORNE	DATE: 7 JUNE 2019	UNLESS OTHERWISE SPECIFIED TOLERANCES ON DIMENSIONS ARE: ANGLES: ±1/2° DECIMALS: 0.X: ±0.125 X, (FOR X < 3): ±1 HOLES: ±0.013 0.XX: ±0.25 X, (FOR X > 3): ±2.5 DIMENSIONS ARE IN MILLIMETERS (INCHES) AND AFTER PLATING		SCALE: 0.800 DO NOT SCALE DRAWING OR CHANGE MANUALLY
ECO: 166218	STATE: RELEASE	PRO-ENGINEER GENERATED	PART NAME: TPC115-10D-352R	REVISION: 01 SHEET: 1 of 1
<small>EATON CORPORATION - CONFIDENTIAL AND PROPRIETARY NOTICE TO PERSONS RECEIVING THIS DOCUMENT AND/OR TECHNICAL INFORMATION THIS DOCUMENT, INCLUDING THE DRAWING AND INFORMATION CONTAINED THEREON, IS CONFIDENTIAL AND IS THE EXCLUSIVE PROPERTY OF EATON CORPORATION AND IS SUBJECT TO EATON'S PATENT RIGHTS AND IS NOT TO BE REPRODUCED, COPIED, OR TRANSMITTED IN ANY MANNER WITHOUT THE PRIOR WRITTEN CONSENT OF EATON. IN THE CASE OF CONFLICTING CONTRACTUAL PROVISIONS, THIS NOTICE SHALL GOVERN THE STATUS OF THIS DOCUMENT. © 2008 Eaton Corporation - All Rights Reserved.</small>				