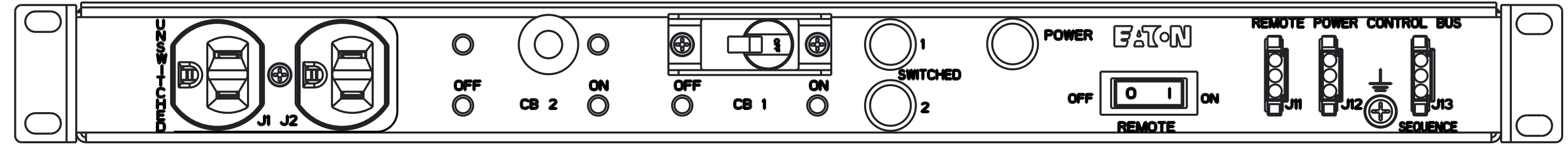
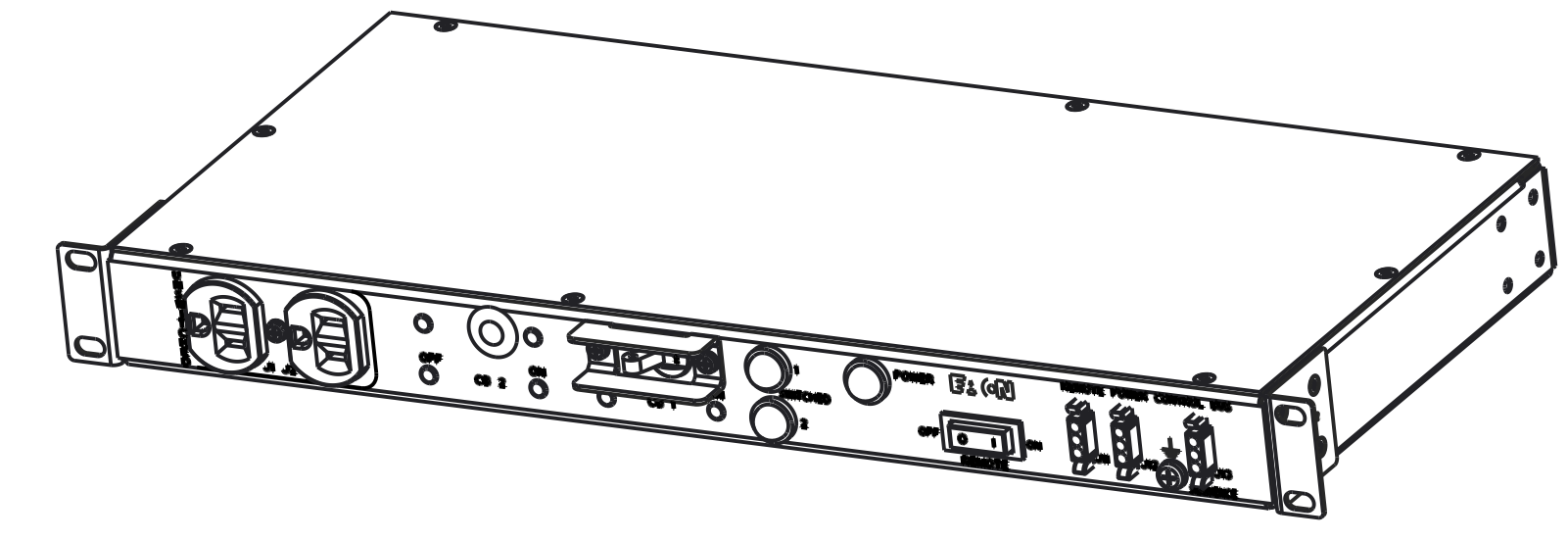
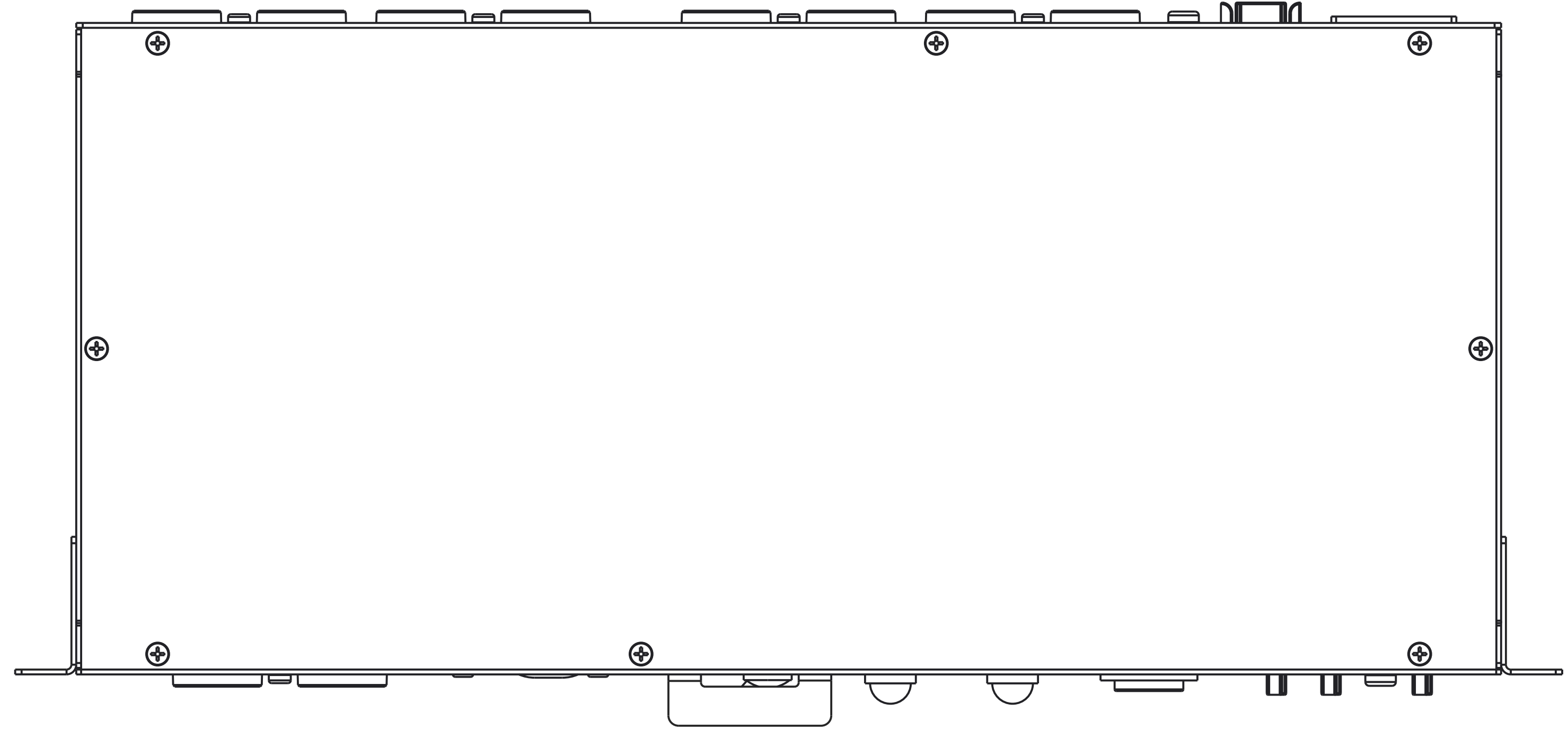
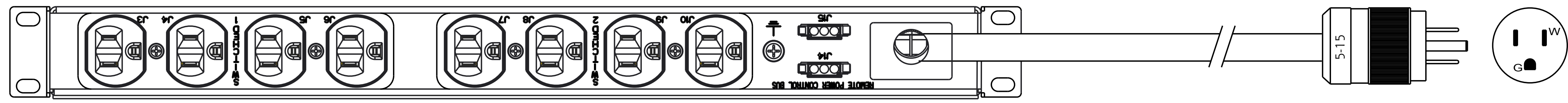

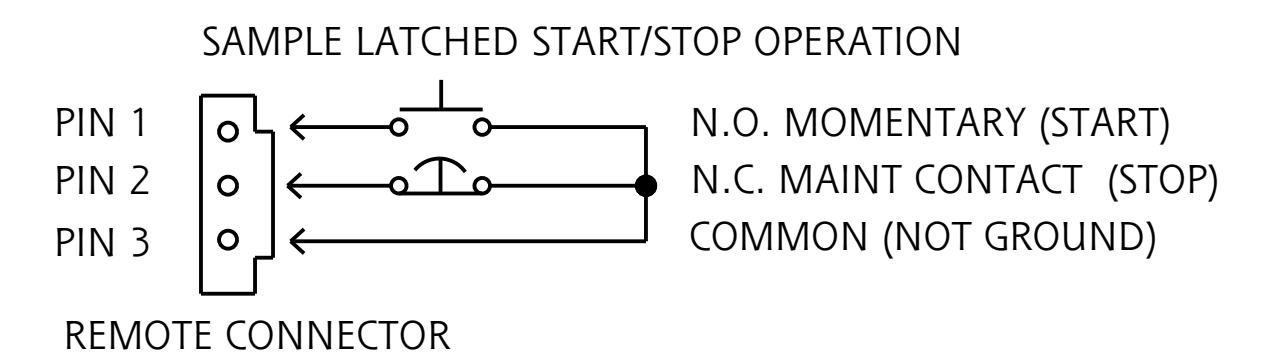


REV	ECO No.	REVISION	DR	CK	AP	DATE




# TPC115-10-A-LTR REMOTE CONTROL

<b>FUNCTIONALITY</b> POWER CONTROLLER WITH LATCHING REMOTE	<b>INPUT</b> NEMA 5-15 PLUG 10FT 14AWG / 3C POWERCORD	<b>OUTPUT</b> (10) NEMA 5-15 RECEPTACLES: (8) SWITCHED (2) UNSWITCHED	<b>ENVIRONMENTAL</b> 32° TO 113° F 0° TO 45° C
<b>MECHANICAL</b> 19.00" (482.6mm) WIDTH 1.72" (43.7mm) HEIGHT 8.00" (203.2mm) DEPTH BLACK CHASSIS	<b>INPUT RATING</b> 100-127V ~ W + N + PE 12A 50/60HZ	<b>OUTPUT RATING</b> 100-127V ~ 12A MAX 12A MAX TOTAL	<b>CERTIFICATIONS</b>  REGULATORY MODEL ER212MAXF1B2LEB
<b>CIRCUIT BREAKERS</b> 15A 1-POLE LISTED CB1	<b>FILTER AND SPIKE/SURGE</b> EMI/RFI FILTER, COMMON AND DIFFERENTIAL MODE SPIKE/SURGE PROTECTION	<b>INDICATOR LIGHTS</b> ONE GREEN FOR MAIN POWER; TWO GREEN, ONE FOR EACH SECTION	<b>ACCESSORIES INCLUDED</b> SUB-HRDWARE-001 - PANEL MOUNT KIT SCREWS SPK030 - PANEL MOUNT KIT CAGE NUTS REMOTE02 - REMOTE CONNECTOR KIT (5)



LATCHED REMOTE: REMOTE START ONLY  
 NO MTD: ALL SECTIONS POWER UP WHEN UNIT IS STARTED

METRIC	THIRD ANGLE PROJECTION	EATON CORPORATION, ELECTRICAL		SIZE D
SPECIFICATION DRAWING TPC115-10-A-LTR				
MODIFIED BY: J. OSBORNE	DATE: 27 MAY 2018	UNLESS OTHERWISE SPECIFIED TOLERANCES ON DIMENSIONS ARE: ANGLES: ±1/2°    DECIMALS: 0.X: ±0.25 X, (FOR X < 3): ±1 HOLES: ±0.13    0.XX: ±0.25 X (FOR X > 3); ±2.5 DIMENSIONS ARE IN MILLIMETERS (INCHES) AND AFTER PLATING		SCALE: 0.800 DO NOT SCALE DRAWING OR CHANGE MANUALLY
ECO: 141018	STATE: RELEASE	PRO-ENGINEER GENERATED	PART NAME: TPC115-10-A-LTR	REVISION: 01    SHEET: 1 of 1
<small>EATON CORPORATION - CONFIDENTIAL AND PROPRIETARY NOTICE TO PERSONS RECEIVING THIS DOCUMENT AND/OR TECHNICAL INFORMATION THIS DOCUMENT, INCLUDING THE DRAWING AND INFORMATION CONTAINED THEREON, IS CONFIDENTIAL AND IS THE EXCLUSIVE PROPERTY OF EATON CORPORATION AND IS HEREBY ON LOAN AND SUBJECT TO RECALL BY EATON AT ANY TIME. BY TAKING POSSESSION OF THIS DOCUMENT, THE RECIPIENT ACKNOWLEDGES AND AGREES THAT THIS DOCUMENT CANNOT BE USED IN ANY MANNER ADVERSE TO THE INTERESTS OF EATON, AND THAT NO PORTION OF THIS DOCUMENT MAY BE COPIED OR OTHERWISE REPRODUCED WITHOUT THE PRIOR WRITTEN CONSENT OF EATON. IN THE CASE OF CONFLICTING CONTRACTUAL PROVISIONS, THIS NOTICE SHALL GOVERN THE STATUS OF THIS DOCUMENT. © 2008 Eaton Corporation - All Rights Reserved.</small>				