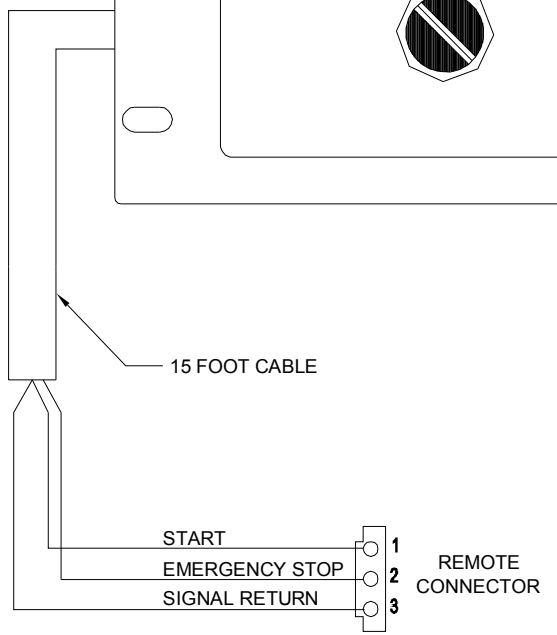
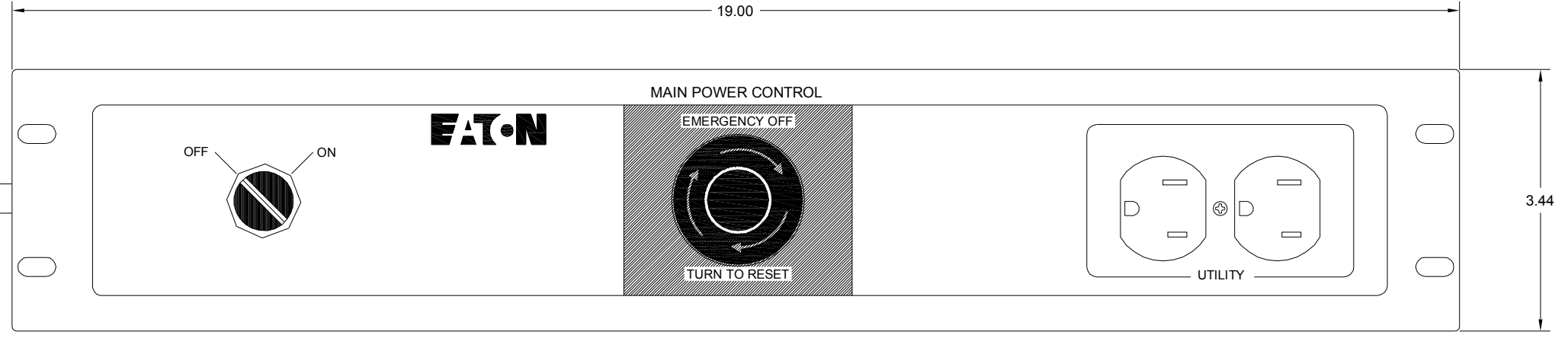
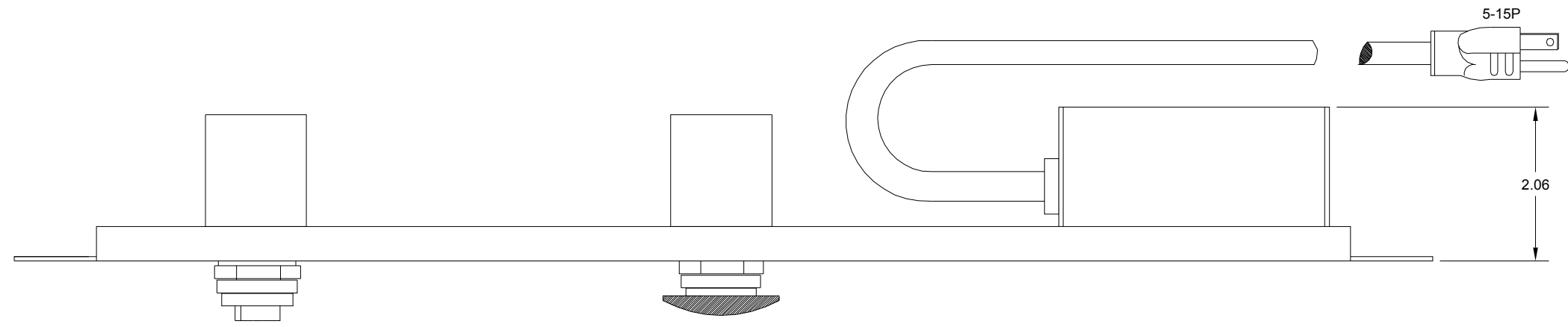
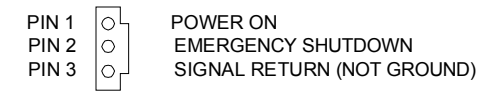


LTR	ECO No.	REVISION	DR	CK	AP	AP	DATE
A		RELEASED	GH				10/04/99
B	7943	UPDATE SILKSCREEN	LS		DK		08 JUL 04
C	8018	MODIFY HEIGHT OF CHASSIS	LS		J.O.		02 NOV 04
D	8398	ADD RoHS NOTE	J.O.				07 NOV 06
E	12932	UPDATED TITLE BLOCK	GS				26 JUL 10
002	064441	ADD ROHS NOTES	HN				25 APR 14

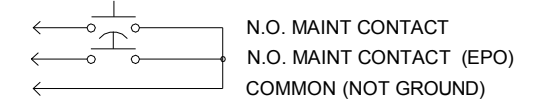


NOTES

- RACK MOUNTED STEEL CHASSIS BLACK FED STD 595-27038 MEDIUM TEXTURE
19.00" WIDE STANDARD RACK MOUNT
3.44" HIGH
2.06" DEEP
- INPUT: 120 VAC 12A SINGLE PHASE, 50/60 HZ
POWER CABLE: 6 FOOT 14/3 SJT CABLE WITH NEMA 5-15 PLUG
- OUTPUT: 120 VAC AT ONE NEMA 5-15 RECEPTACLE,
12 AMP MAX CURRENT
- SELECTOR SWITCH: 2 POSITION, TURNS UNIT ON AND OFF
- EMERGENCY OFF SWITCH: RED MUSHROOM PUSHBUTTON SWITCH. PUSH TO ACTIVATE EMERGENCY POWER OFF; TURN KNOB CLOCKWISE TO RESET
- REMOTE CABLE: 15 FOOT 22/3 CABLE WITH 3 PIN CONNECTOR.
- OPERATION: CONNECT TO REMOTE PORT OF POWER CONTROLLER WITH NON-LATCHING REMOTE:



SAMPLE EPO/START REMOTE STATION



- RoHS COMPLIANT PRODUCT PER DIRECTIVE 2011/65/EU WITH APPLICABLE EXEMPTIONS.
- UL RECOGNIZED COMPONENTS USED WHERE APPLICABLE
- ALL MATERIALS AND SUB-MATERIALS COMPLY WITH EATON SPECIFICATION 164080496. DOCUMENTATION CERTIFYING COMPLIANCE TO EATON SPECIFICATION 164080496 IS AVAILABLE UPON REQUEST.

EATON APPROVAL _____ DATE _____

EATON 9650 Jeronimo Road, Irvine, California 92618
Phone (949) 452-9500 www.epdu.com

THE INFORMATION AND DESIGN DISCLOSED HEREIN WAS ORIGINATED BY AND IS THE PROPERTY OF EATON CORPORATION. EATON CORPORATION RESERVES ALL PATENT, PROPRIETARY, DESIGN, MANUFACTURING, REPRODUCTION, USE AND SALE RIGHTS THERETO, AND TO ANY ARTICLE DISCLOSED THEREIN, EXCEPT TO THE EXTENT RIGHTS ARE EXPRESSLY GRANTED TO OTHERS. THE FOREGOING DOES

DIMENSIONS IN INCHES TOLERANCES: DECIMALS ANGLES XX ±0.05 ±0.5° XXX ±0.10 UNLESS OTHERWISE SPECIFIED		TITLE ENGINEERING DRAWING RCP200-BLK ASSY 4014	
DRAWN BY: GH	DWG FILENAME: RCP_200_BLK_4014_MED.DWG	SCALE	SHEET
	DWG NO.		