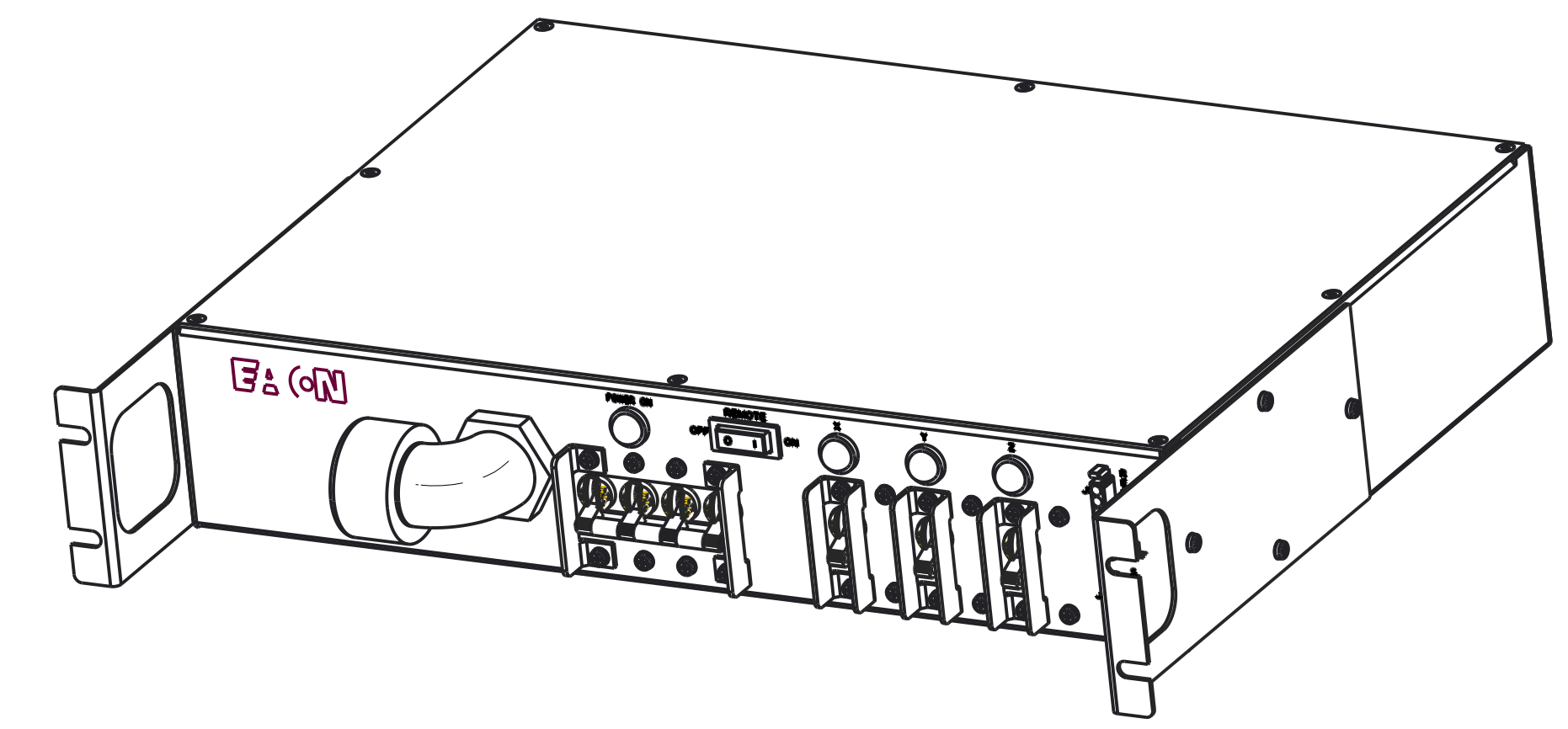
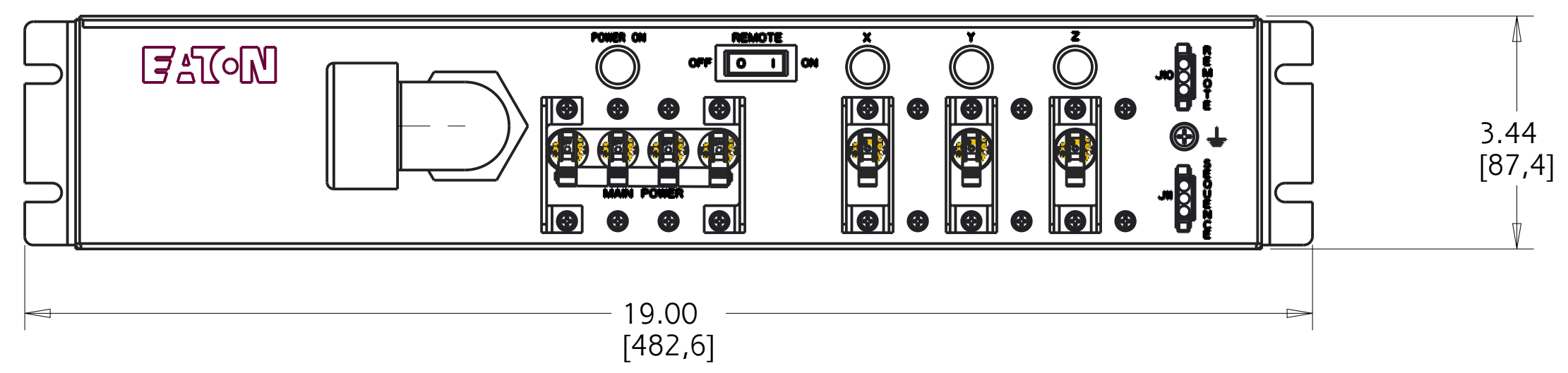
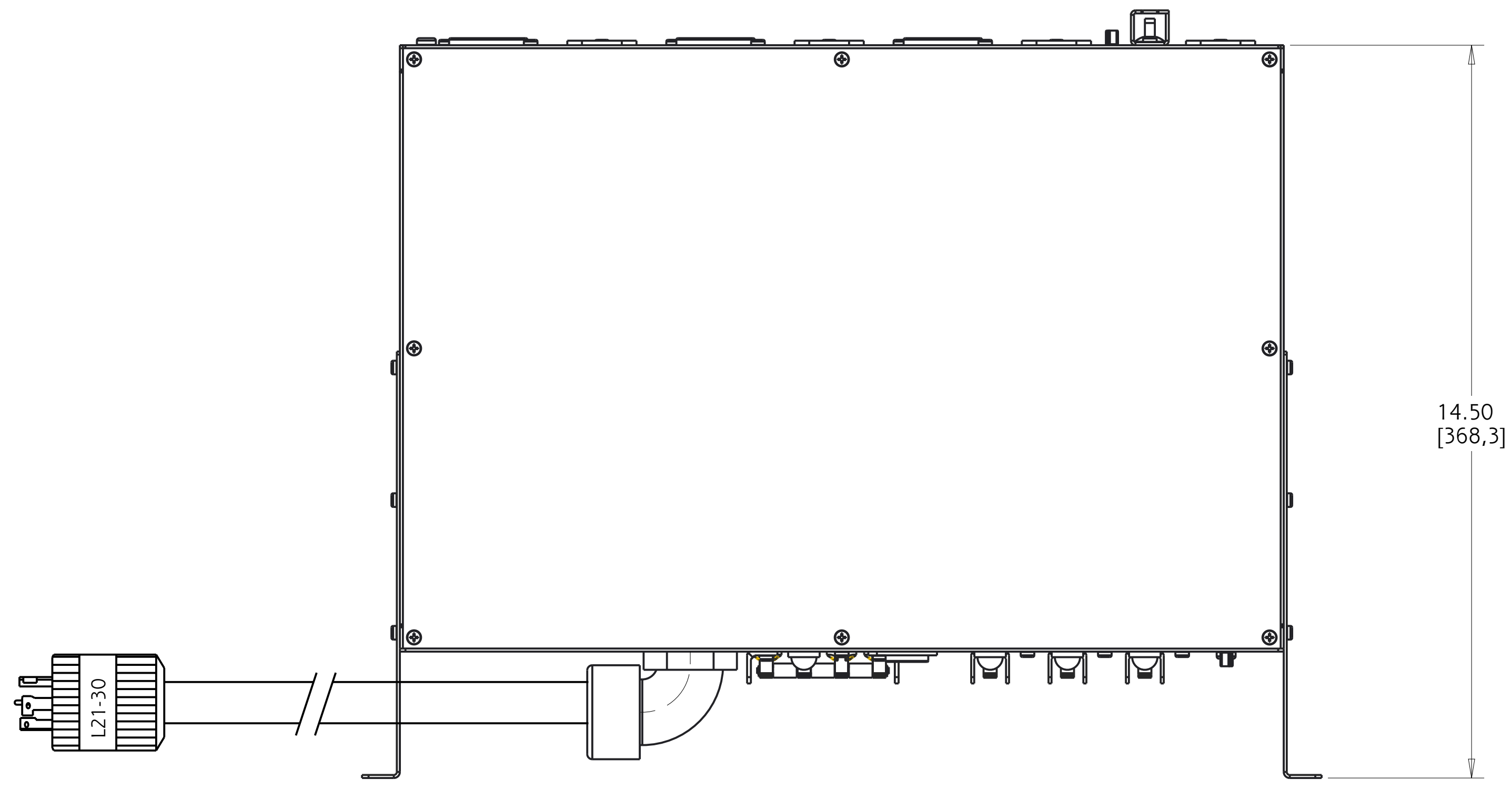
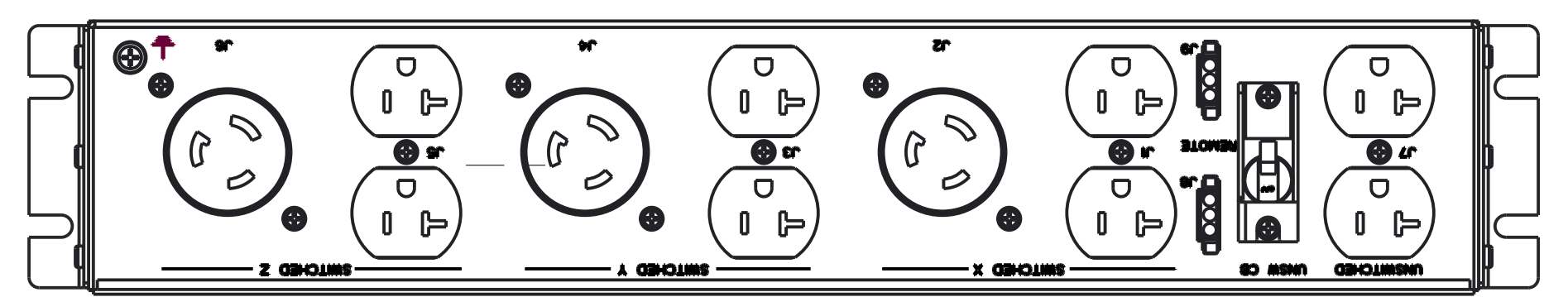
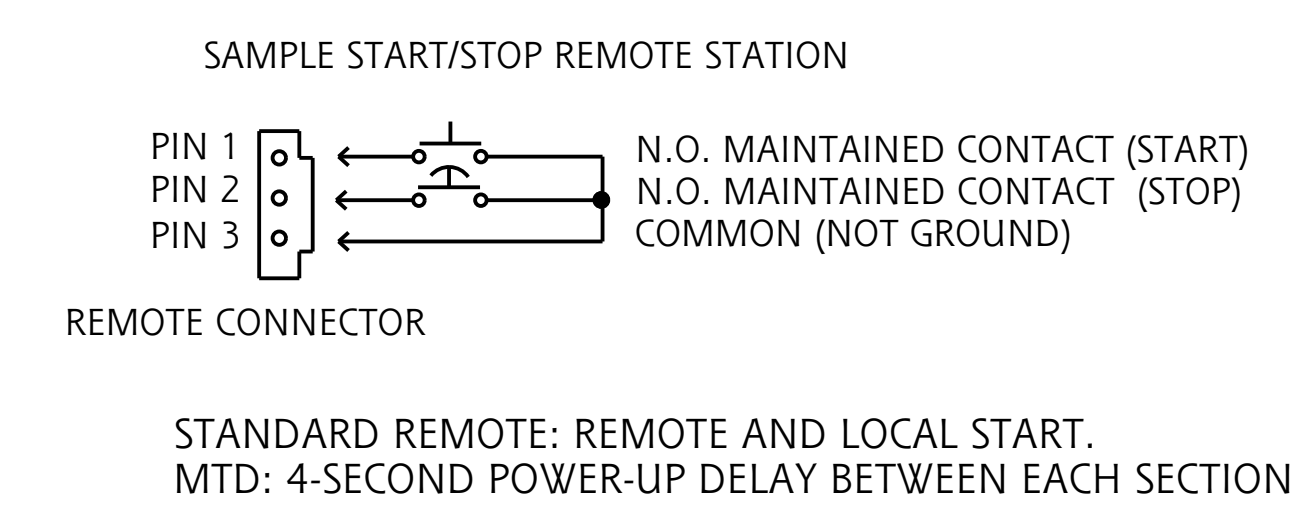


REV	ECO No.	REVISION	DR	CK	AP	DATE
02	147691	ADDED UL MARK	J.O.			11 SEPT 18



PC975-R REMOTE EPO

FUNCTIONALITY POWER CONTROLLER WITH STANDARD REMOTE	INPUT NEMA L21-30 PLUG 15FT 10AWG / 5C POWERCORD	OUTPUT (6) NEMA 5-20, SWITCHED (2) NEMA 5-20, UNSWITCHED (3) NEMA L6-20, SWITCHED	ENVIRONMENTAL 32° TO 113° F 0° TO 45° C
MECHANICAL 19.00" (482.6mm) WIDTH 3.44" (87.4mm) HEIGHT 14.50 (368.3mm) DEPTH BLACK CHASSIS	INPUT RATING 120/208V ~ 3P + N + PE 24A 50/60HZ	OUTPUT RATING J1, J3, J5, J7: 120V ~; 16A J2, J4, J6: 208V ~; 16A 16A MAX PER SECTION 24A PER PHASE	CERTIFICATIONS REGULATORY MODEL ER223PDYZDEBUHP
CIRCUIT BREAKERS MAIN (1) 30A 4-POLE RECOGNIZED BRANCH (3) 20A 2-POLE LISTED, (1) 20A 1-POLE LISTED	FILTER AND SPIKE/SURGE EMI/RFI FILTER COMMON AND DIFFERENTIAL MODE SPIKE/SURGE PROTECTION	INDICATOR LIGHTS ONE GREEN FOR MAIN POWER; ONE GREEN FOR EACH SECTION, ON WHEN SECTION IS POWERED	ACCESSORIES INCLUDED SUB-HRDWARE-001 - PANEL MOUNT KIT SCREWS SPK030 - PANEL MOUNT KIT CAGE NUTS REMOTE02 - REMOTE CONNECTOR KIT (4)



METRIC	THIRD ANGLE PROJECTION	EATON CORPORATION, ELECTRICAL		SIZE D
SPECIFICATION DRAWING PC975-R				
MODIFIED BY: J. OSBORNE	DATE: 20 JUNE 18	UNLESS OTHERWISE SPECIFIED TOLERANCES ON DIMENSIONS ARE: ANGLES: ±1/2° DECIMALS: 0.X: ±0.75 X, (FOR X < 3): ±1		SCALE: 0.500
ECO: 142607	STATE: RELEASE	HOLES: ±0.013 DIA: ±0.25 X (FOR X > 3): ±2.5		DO NOT SCALE DRAWING OR CHANGE MANUALLY
PRO-ENGINEER GENERATED		PART NAME: PC975-R	REVISION: 02	SHEET: 1 of 1

EATON CORPORATION - CONFIDENTIAL AND PROPRIETARY NOTICE TO PERSONS RECEIVING THIS DOCUMENT AND/OR TECHNICAL INFORMATION: THIS DOCUMENT, INCLUDING THE DRAWING AND INFORMATION CONTAINED THEREON, IS CONFIDENTIAL AND IS THE EXCLUSIVE PROPERTY OF EATON CORPORATION AND IS LOANED TO YOU AND SUBJECT TO RECALL BY EATON AT ANY TIME. BY TAKING POSSESSION OF THIS DOCUMENT, THE RECIPIENT ACKNOWLEDGES AND AGREES THAT THIS DOCUMENT CANNOT BE USED IN ANY MANNER ADVERSE TO THE INTERESTS OF EATON, AND THAT NO PORTION OF THIS DOCUMENT MAY BE COPIED OR OTHERWISE REPRODUCED WITHOUT THE PRIOR WRITTEN CONSENT OF EATON. IN THE CASE OF CONFLICTING CONTRACTUAL PROVISIONS, THIS NOTICE SHALL GOVERN THE STATUS OF THIS DOCUMENT. © 2008 Eaton Corporation - All Rights Reserved.