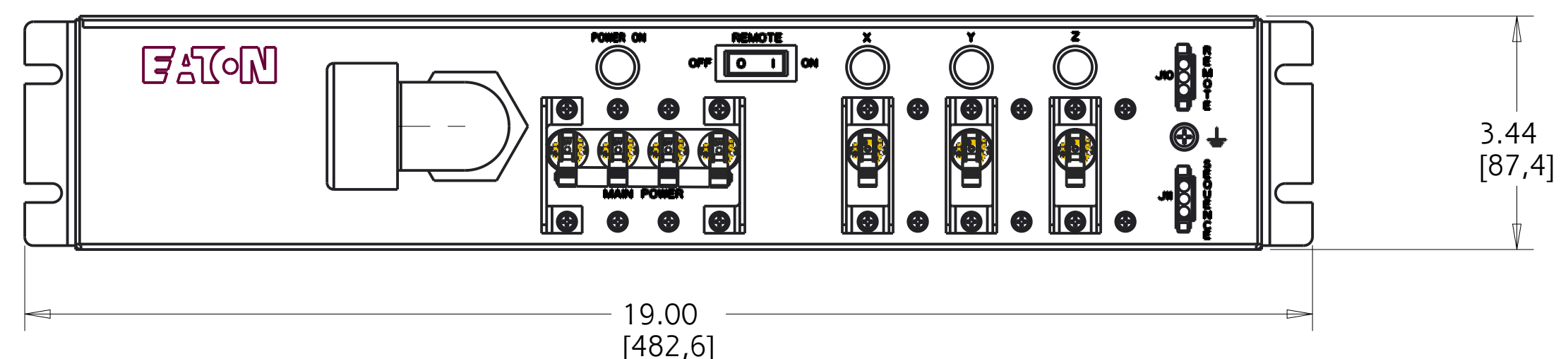
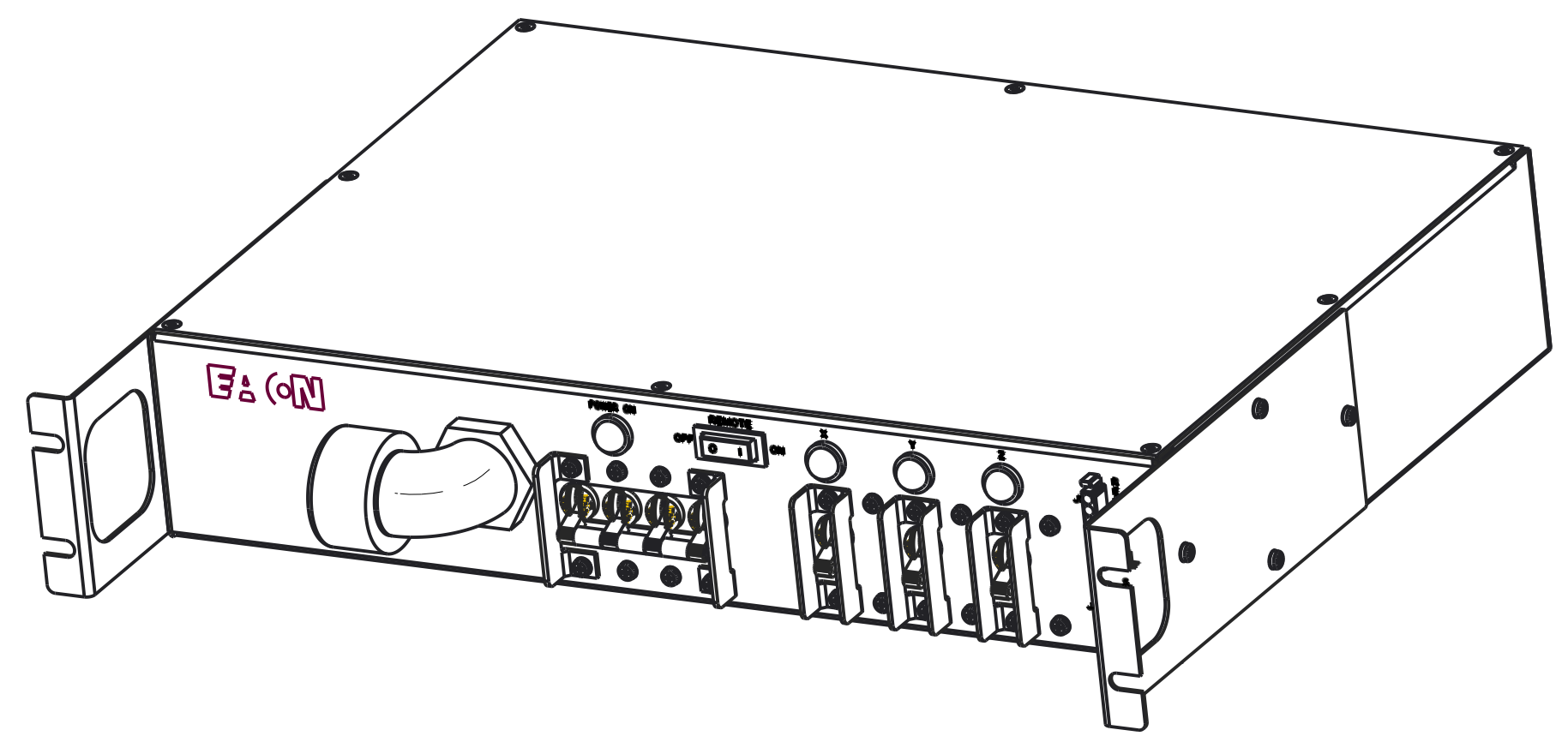
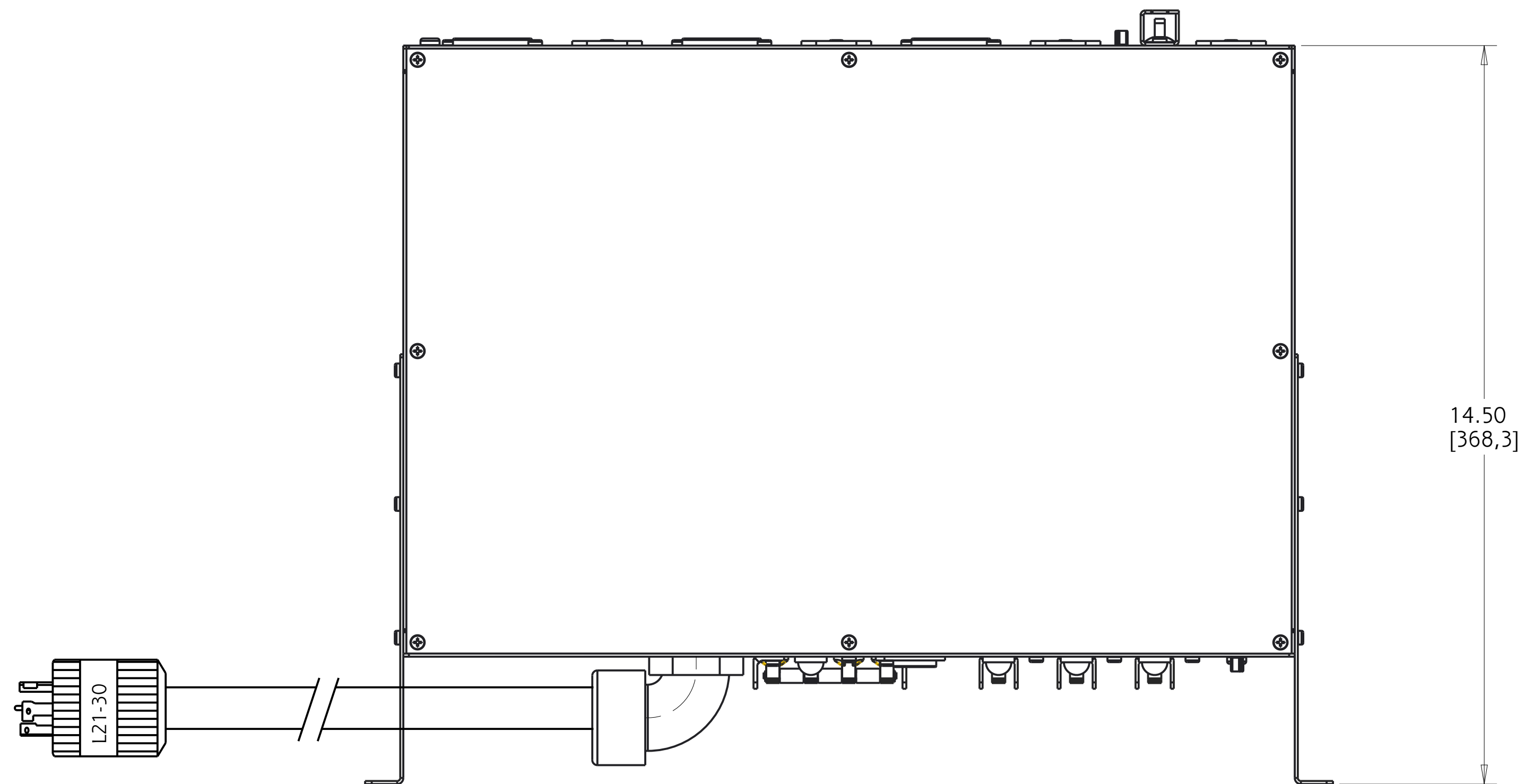
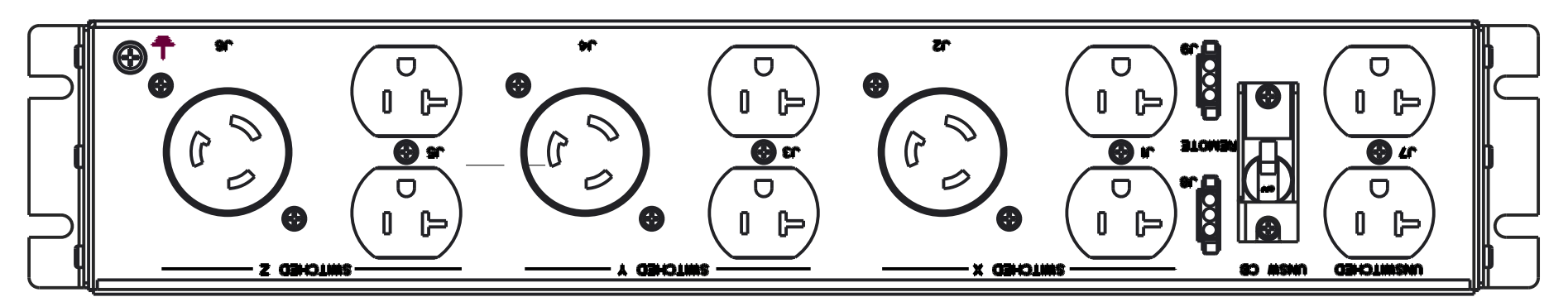
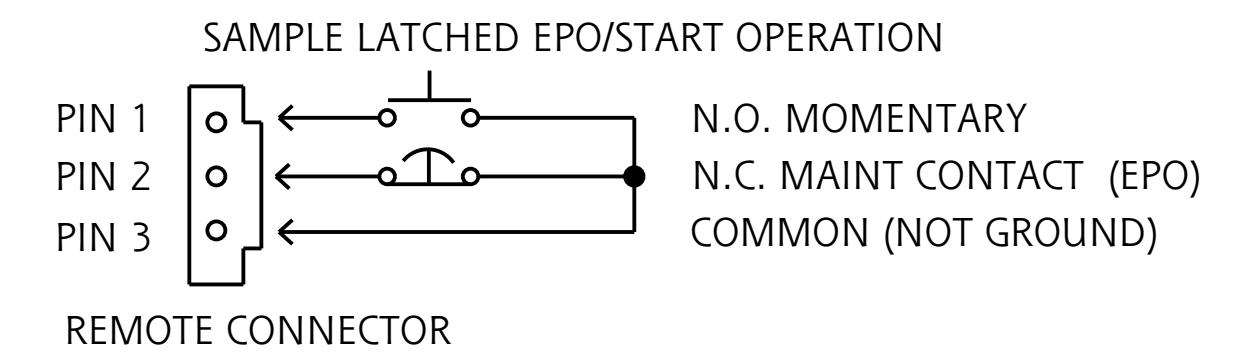


REV	ECO No.	REVISION	DR	CK	AP	DATE
02	147691	ADDED UL MARK	J.O.			11 SEPT 18



# PC975-LTR REMOTE EPO

<b>FUNCTIONALITY</b> POWER CONTROLLER WITH LATCHING REMOTE	<b>INPUT</b> NEMA L21-30 PLUG 15FT 10AWG / 5C POWERCORD	<b>OUTPUT</b> (6) NEMA 5-20, SWITCHED (2) NEMA 5-20, UNSWITCHED (3) NEMA L6-20, SWITCHED	<b>ENVIRONMENTAL</b> 32° TO 113° F 0° TO 45° C
<b>MECHANICAL</b> 19.00" (482.6mm) WIDTH 3.44" (87.4mm) HEIGHT 14.50 (368.3mm) DEPTH BLACK CHASSIS	<b>INPUT RATING</b> 120/208V ~ 3P + N + PE 24A 50/60HZ	<b>OUTPUT RATING</b> J1, J3, J5, J7: 120V ~; 16A J2, J4, J6: 208V ~; 16A 16A MAX PER SECTION 24A PER PHASE	<b>CERTIFICATIONS</b>  REGULATORY MODEL ER223PDYZDEBMHP
<b>CIRCUIT BREAKERS</b> MAIN (1) 30A 4-POLE RECOGNIZED BRANCH (3) 20A 2-POLE LISTED, (1) 20A 1-POLE LISTED	<b>FILTER AND SPIKE/SURGE</b> EMI/RFI FILTER COMMON AND DIFFERENTIAL MODE SPIKE/SURGE PROTECTION	<b>INDICATOR LIGHTS</b> ONE GREEN FOR MAIN POWER; ONE GREEN FOR EACH SECTION, ON WHEN SECTION IS POWERED	<b>ACCESSORIES INCLUDED</b> SUB-HRDWARE-001 - PANEL MOUNT KIT SCREWS SPK030 - PANEL MOUNT KIT CAGE NUTS REMOTE02 - REMOTE CONNECTOR KIT (4)



LATCHING REMOTE: REMOTE START ONLY  
MTD: 4-SECOND POWER-UP DELAY BETWEEN EACH SECTION

METRIC	THIRD ANGLE PROJECTION	EATON CORPORATION, ELECTRICAL		SIZE D
SPECIFICATION DRAWING PC975-LTR				
MODIFIED BY: J. OSBORNE	DATE: 1 MAR 2018	UNLESS OTHERWISE SPECIFIED TOLERANCES ON DIMENSIONS ARE: ANGLES: ±10° HOLES: ±0.013 DIMENSIONS ARE IN MILLIMETERS (INCHES) AND AFTER PLATING		SCALE: 0.500 DO NOT SCALE DRAWING OR CHANGE MANUALLY
ECO: 135811	STATE: RELEASE	PRO-ENGINEER GENERATED	PART NAME: PC975-LTR	REVISION: 02 SHEET: 1 of 1
<small>EATON CORPORATION - CONFIDENTIAL AND PROPRIETARY NOTICE TO PERSONS RECEIVING THIS DOCUMENT AND/OR TECHNICAL INFORMATION THIS DOCUMENT, INCLUDING THE DRAWING AND INFORMATION CONTAINED THEREON, IS CONFIDENTIAL AND IS THE EXCLUSIVE PROPERTY OF EATON CORPORATION AND IS SUBJECT TO RECALL BY EATON AT ANY TIME. BY TAKING POSSESSION OF THIS DOCUMENT, THE RECIPIENT ACKNOWLEDGES AND AGREES THAT THIS DOCUMENT CANNOT BE USED IN ANY MANNER AGREE TO THE INTERESTS OF EATON, AND THAT NO PORTION OF THIS DOCUMENT MAY BE COPIED OR OTHERWISE REPRODUCED WITHOUT THE PRIOR WRITTEN CONSENT OF EATON. IN THE CASE OF CONFLICTING CONTRACTUAL PROVISIONS, THIS NOTICE SHALL GOVERN THE STATUS OF THIS DOCUMENT. © 2008 Eaton Corporation - All Rights Reserved.</small>				