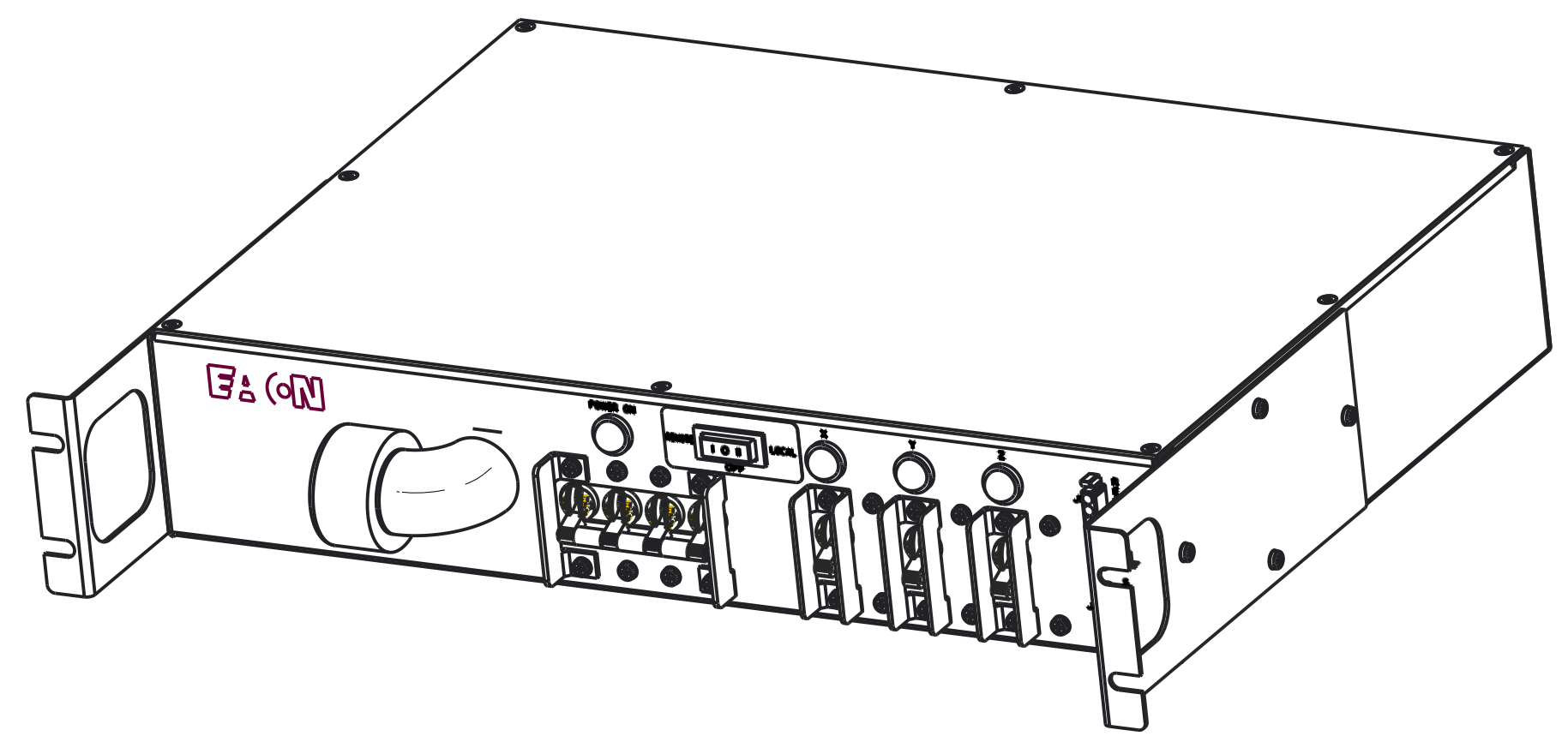
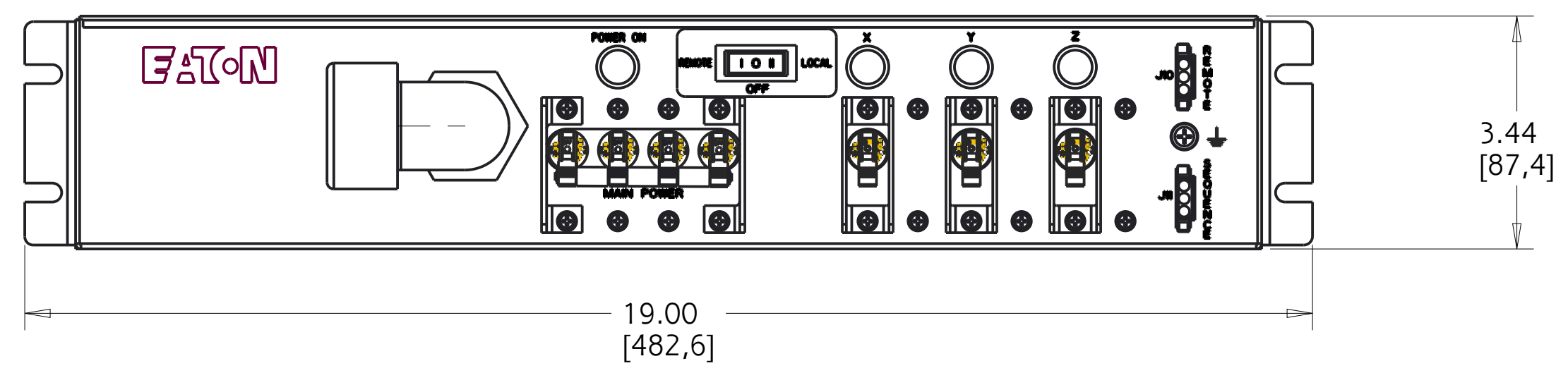
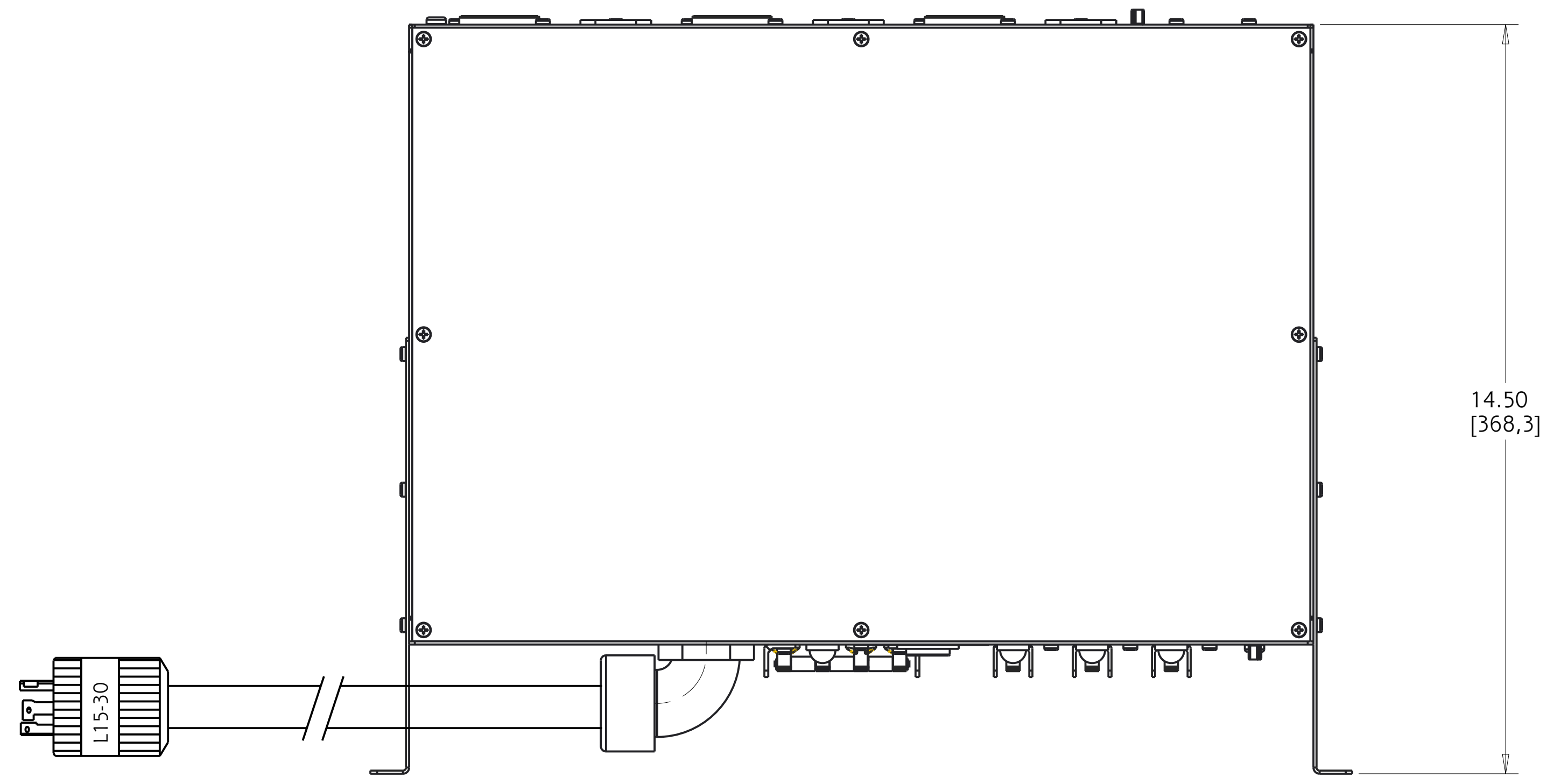
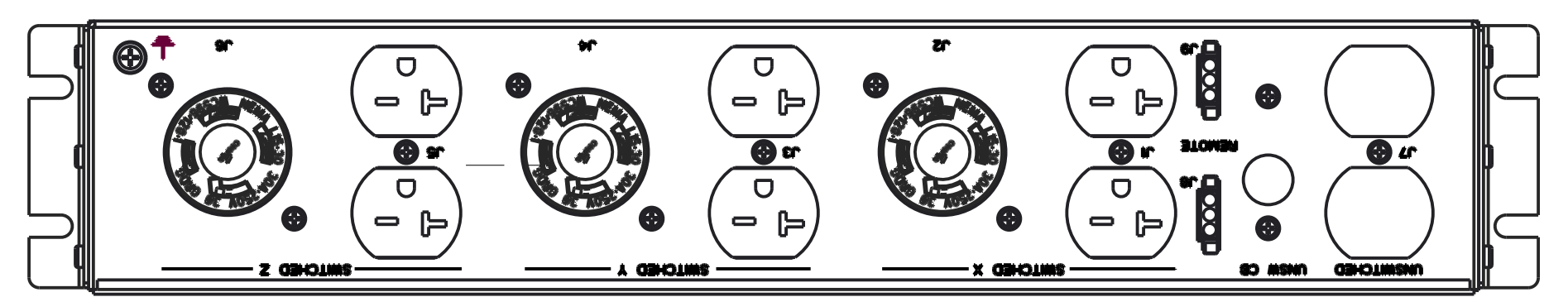


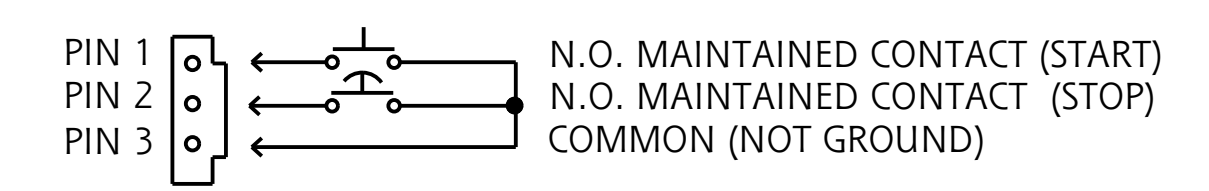
REV	ECO No.	REVISION	DR	CK	AP	DATE



# PC975-3387R REMOTE EPO

<b>FUNCTIONALITY</b> POWER CONTROLLER WITH STANDARD REMOTE	<b>INPUT</b> NEMA L15-30 PLUG 15FT 10AWG / 4C POWERCORD	<b>OUTPUT</b> (6) NEMA 6-20, SWITCHED (3) NEMA L15-30, SWITCHED	<b>ENVIRONMENTAL</b> 32° TO 113° F 0° TO 45° C
<b>MECHANICAL</b> 19.00" (482.6mm) WIDTH 3.44" (87.4mm) HEIGHT 14.50 (368.3mm) DEPTH BLACK CHASSIS	<b>INPUT RATING</b> 200-240V ~ 3W + PE 24A 50/60HZ	<b>OUTPUT RATING</b> J1, J3, J5: 200-240V ~; 16A J2, J4, J6: 200-240V ~; 24A 24A MAX PER SECTION 24A PER PHASE	<b>CERTIFICATIONS</b>  REGULATORY MODEL ER223PCYZJEBUJU
<b>CIRCUIT BREAKERS</b> MAIN (1) 30A 4-POLE RECOGNIZED BRANCH (3) 20A 2-POLE LISTED	<b>FILTER AND SPIKE/SURGE</b> EMI/RFI FILTER COMMON AND DIFFERENTIAL MODE SPIKE/SURGE PROTECTION	<b>INDICATOR LIGHTS: 4 GREEN</b> ONE FOR MAIN POWER; THREE: ONE FOR EACH SECTION, ON WHEN SECTION IS POWERED	<b>ACCESSORIES INCLUDED</b> SUB-HRDWARE-001 - PANEL MOUNT KIT SCREWS SPK030 - PANEL MOUNT KIT CAGE NUTS REMOTE02 - REMOTE CONNECTOR KIT (4)

SAMPLE START/STOP REMOTE STATION



REMOTE CONNECTOR

STANDARD REMOTE: REMOTE AND LOCAL START.  
MTD: 4-SECOND POWER-UP DELAY BETWEEN EACH SECTION

METRIC	THIRD ANGLE PROJECTION	EATON CORPORATION, ELECTRICAL		SIZE D
SPECIFICATION DRAWING PC975-3387R				
MODIFIED BY: J. OSBORNE	DATE: 3 SEPT 2019	UNLESS OTHERWISE SPECIFIED TOLERANCES ON DIMENSIONS ARE: ANGLES: ±1/2°    DECIMALS: 0.X: ±0.25    X: (FOR X < 3): ±1		SCALE: 0.500
ECO: 171573	STATE: RELEASE	HOLES: ±0.013    DIA: ±0.25    X: (FOR X > 3): ±2.5		DO NOT SCALE
PRO-ENGINEER GENERATED		PART NAME: PC975-3387R	REVISION: 01	DRAWING OR CHANGE MANUALLY
				SHEET: 1 of 1

EATON CORPORATION - CONFIDENTIAL AND PROPRIETARY NOTICE TO PERSONS RECEIVING THIS DOCUMENT AND/OR TECHNICAL INFORMATION THIS DOCUMENT, INCLUDING THE DRAWING AND INFORMATION CONTAINED THEREON, IS CONFIDENTIAL AND IS THE EXCLUSIVE PROPERTY OF EATON CORPORATION AND IS SUBJECT TO RECALL BY EATON AT ANY TIME. BY TAKING POSSESSION OF THIS DOCUMENT, THE RECIPIENT ACKNOWLEDGES AND AGREES THAT THIS DOCUMENT CANNOT BE USED IN ANY MANNER ADVERSE TO THE INTERESTS OF EATON, AND THAT NO PORTION OF THIS DOCUMENT MAY BE COPIED OR OTHERWISE REPRODUCED WITHOUT THE PRIOR WRITTEN CONSENT OF EATON. IN THE CASE OF CONFLICTING CONTRACTUAL PROVISIONS, THIS NOTICE SHALL GOVERN THE STATUS OF THIS DOCUMENT. © 2008 Eaton Corporation - All Rights Reserved.