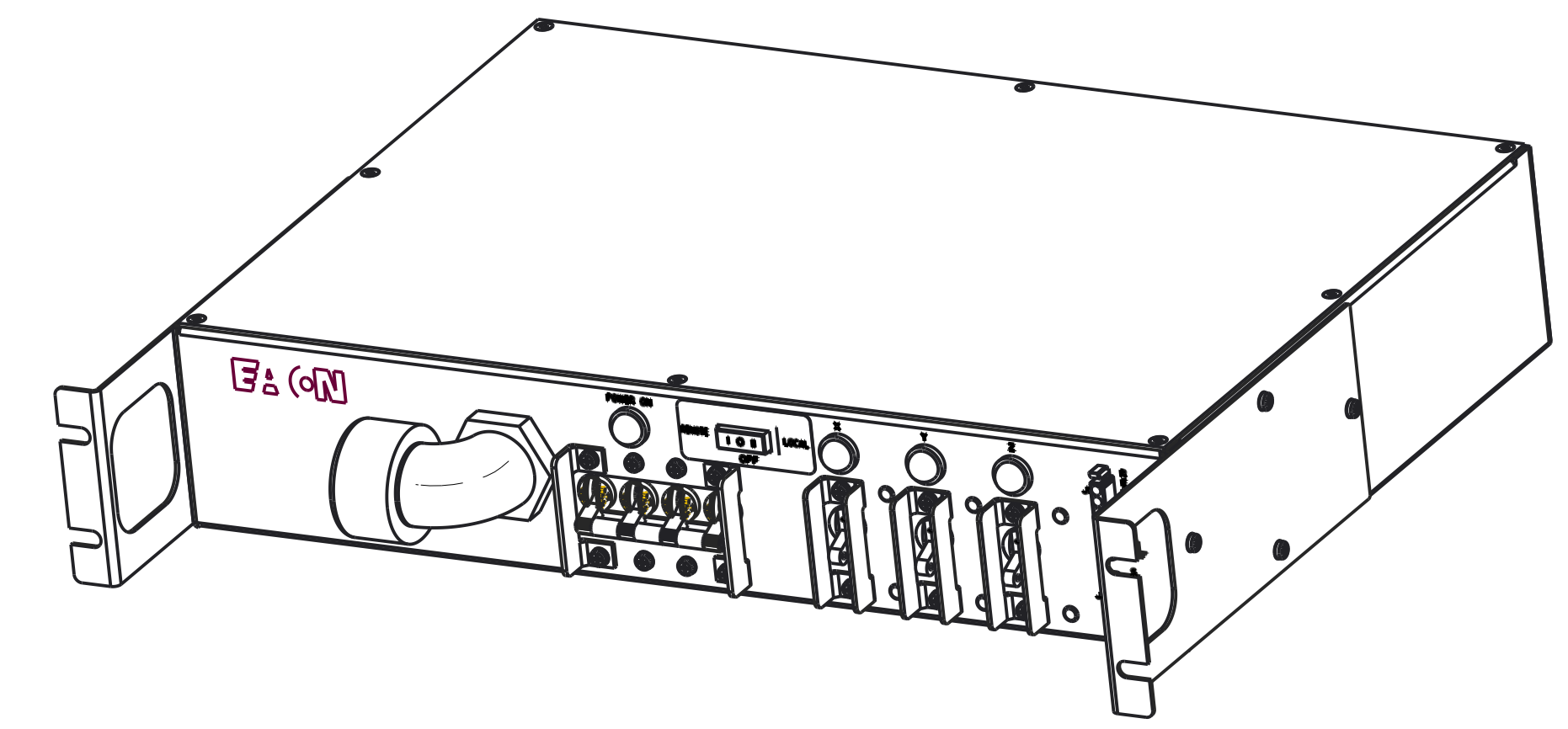
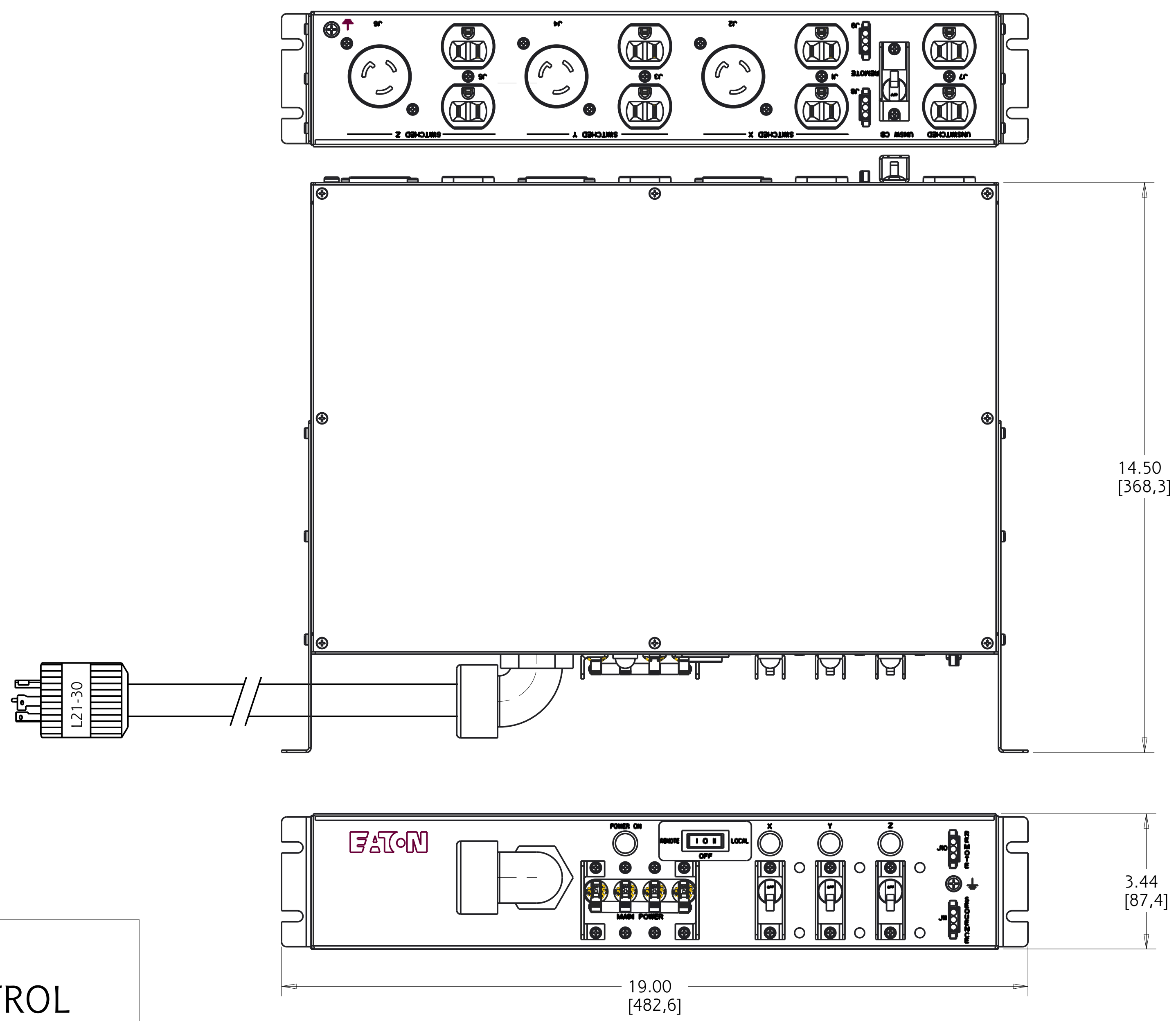


REV	ECO No.	REVISION	DR	CK	AP	AP	DATE



PC975-2109R REMOTE CONTROL

FUNCTIONALITY	INPUT	OUTPUT	ENVIRONMENTAL
POWER CONTROLLER WITH STANDARD REMOTE	NEMA L21-30 PLUG 15FT 10AWG / 5C POWERCORD	(6) NEMA 5-15, SWITCHED (2) NEMA 5-15, UNSWITCHED (3) NEMA L5-30, SWITCHED	32° TO 113° F 0° TO 45° C
MECHANICAL	INPUT RATING	OUTPUT RATING	CERTIFICATIONS
19.00" (482.6mm) WIDTH 3.44" (87.4mm) HEIGHT 14.50 (368.3mm) DEPTH BLACK CHASSIS	120/208V ~ 3P + N + PE 24A 50/60HZ	J1, J3, J5, J7: 120V ~; 12A J2, J4, J6: 120V ~; 24A 24A MAX PER PHASE	 REGULATORY MODEL ER223PDYZBEBUGL
CIRCUIT BREAKERS	FILTER AND SPIKE/SURGE	INDICATOR LIGHTS	ACCESSORIES INCLUDED
MAIN (1) 30A 4-POLE RECOGNIZED BRANCH (3) 15A 1-POLE LISTED, (1) 15A 1-POLE LISTED	EMI/RFI FILTER COMMON AND DIFFERENTIAL MODE SPIKE/SURGE PROTECTION	ONE GREEN FOR MAIN POWER; ONE GREEN FOR EACH SECTION, ON WHEN SECTION IS POWERED	SUB-HRDWARE-001 - PANEL MOUNT KIT SCREWS SPK030 - PANEL MOUNT KIT CAGE NUTS REMOTE02 - REMOTE CONNECTOR KIT (4)

SAMPLE START/STOP REMOTE STATION



REMOTE CONNECTOR

STANDARD REMOTE: REMOTE AND LOCAL START.
MTD: 4-SECOND POWER-UP DELAY BETWEEN EACH SECTION

METRIC	THIRD ANGLE PROJECTION	EATON CORPORATION, ELECTRICAL		SIZE D
SPECIFICATION DRAWING PC975-2109R				
MODIFIED BY: J. OSBORNE	DATE: 23 OCT 2018	UNLESS OTHERWISE SPECIFIED TOLERANCES ON DIMENSIONS ARE: ANGLES: ±10° DECIMALS: 0.X: ±0.75 X: (FOR X < 3): ±1		SCALE: 0.500
ECO: 150780	STATE: RELEASE	HOLES: ±0.013 DIA: ±0.25 X: (FOR X > 3): ±2.5		DO NOT SCALE DRAWING OR CHANGE MANUALLY
PRO-ENGINEER GENERATED		PART NAME: PC975-2109R	REVISION: 01	SHEET: 1 of 1
<small>EATON CORPORATION - CONFIDENTIAL AND PROPRIETARY NOTICE TO PERSONS RECEIVING THIS DOCUMENT AND/OR TECHNICAL INFORMATION THIS DOCUMENT, INCLUDING THE DRAWING AND INFORMATION CONTAINED THEREON, IS CONFIDENTIAL AND IS THE EXCLUSIVE PROPERTY OF EATON CORPORATION AND IS SUBJECT TO RECALL BY EATON AT ANY TIME. BY TAKING POSSESSION OF THIS DOCUMENT, THE RECIPIENT ACKNOWLEDGES AND AGREES THAT THIS DOCUMENT CANNOT BE USED IN ANY MANNER ADVERSE TO THE INTERESTS OF EATON, AND THAT NO PORTION OF THIS DOCUMENT MAY BE COPIED OR OTHERWISE REPRODUCED WITHOUT THE PRIOR WRITTEN CONSENT OF EATON. IN THE CASE OF CONFLICTING CONTRACTUAL PROVISIONS, THIS NOTICE SHALL GOVERN THE STATUS OF THIS DOCUMENT. © 2008 Eaton Corporation - All Rights Reserved.</small>				