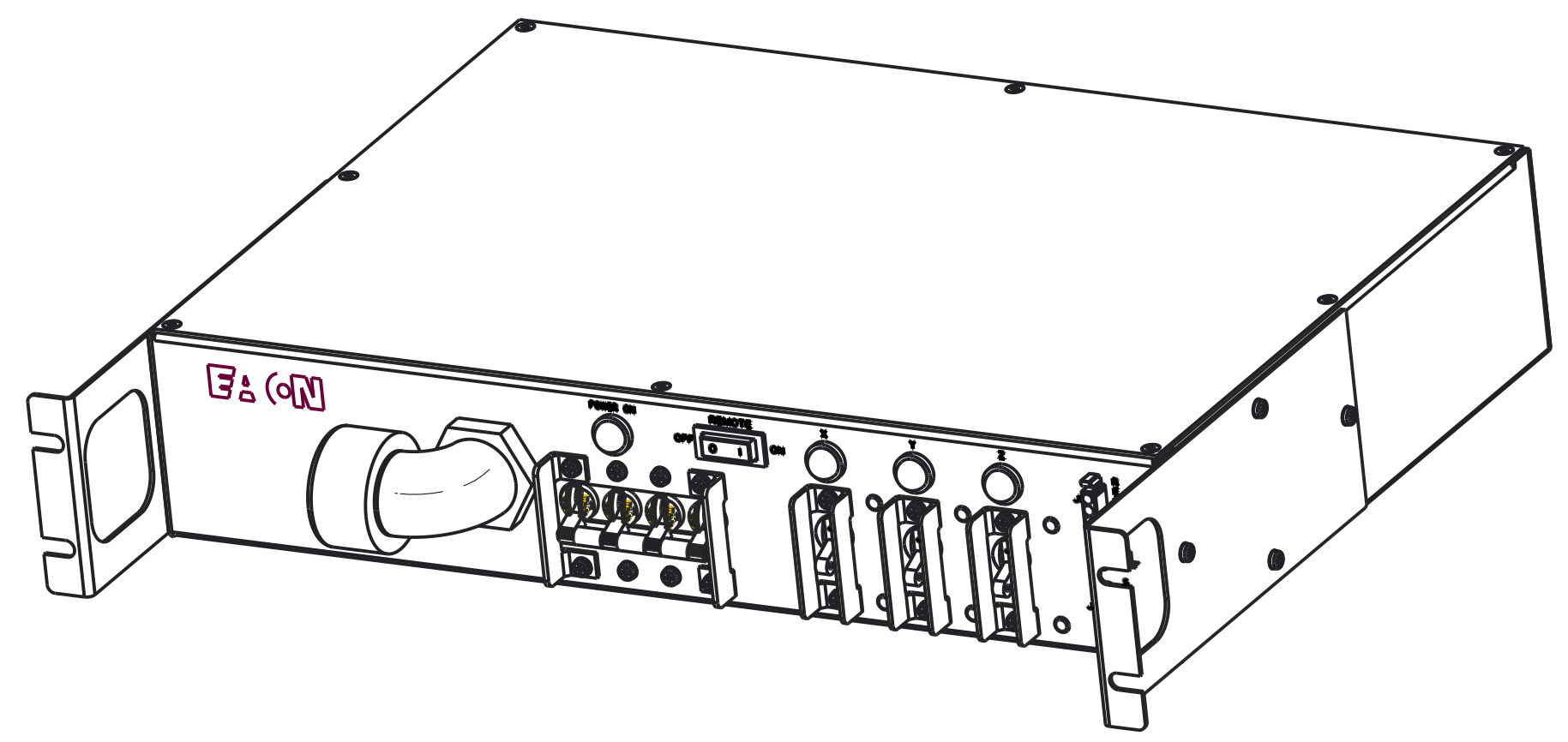
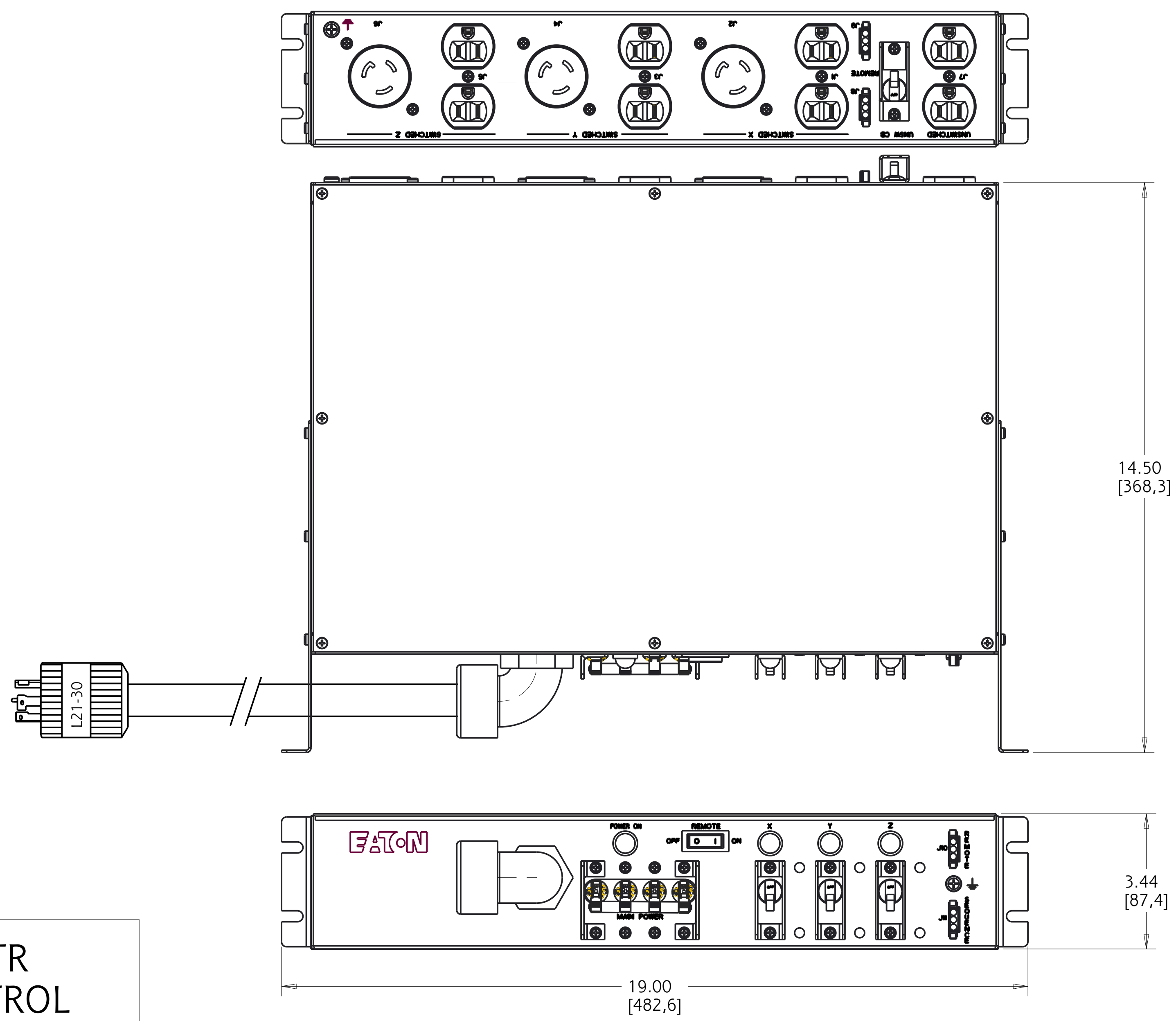

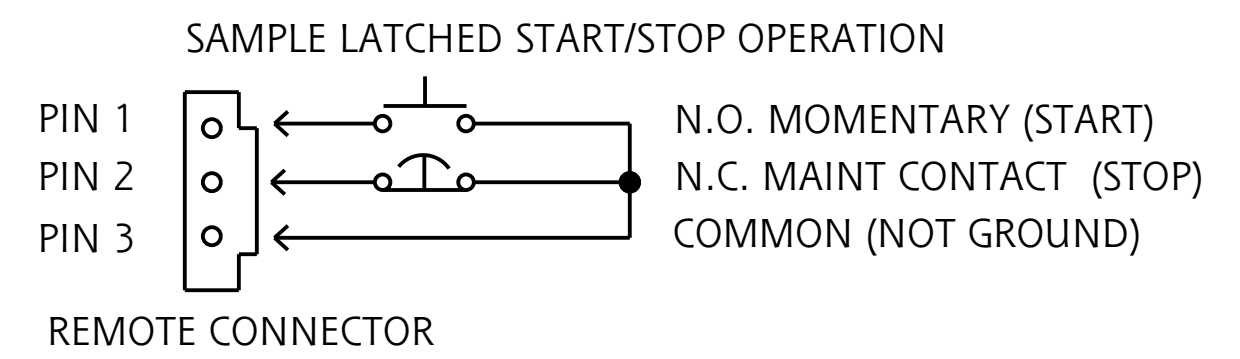


REV	ECO No.	REVISION	DR	CK	AP	AP	DATE



PC975-2109-LTR REMOTE CONTROL

FUNCTIONALITY POWER CONTROLLER WITH LATCHING REMOTE	INPUT NEMA L21-30 PLUG 15FT 10AWG / 5C SOOW POWERCORD	OUTPUT (6) NEMA 5-15, SWITCHED (2) NEMA 5-15, UNSWITCHED (3) NEMA L5-30, SWITCHED	ENVIRONMENTAL 32° TO 113° F 0° TO 45° C
MECHANICAL 19.00" (482.6mm) WIDTH 3.44" (87.4mm) HEIGHT 14.50 (368.3mm) DEPTH BLACK CHASSIS	INPUT RATING 120/208V ~ 3P + N + PE 24A 50/60HZ	OUTPUT RATING J1, J3, J5, J7: 120V ~; 12A J2, J4, J6: 120V ~; 24A 24A MAX PER PHASE	CERTIFICATIONS  REGULATORY MODEL ER223PDYZBEBLGL
CIRCUIT BREAKERS MAIN (1) 30A 4-POLE RECOGNIZED BRANCH (4) 15A 1-POLE LISTED	FILTER AND SPIKE/SURGE EMI/RFI FILTER COMMON AND DIFFERENTIAL MODE SPIKE/SURGE PROTECTION	INDICATOR LIGHTS: 4 ONE GREEN FOR MAIN POWER; ONE GREEN FOR EACH SECTION, ON WHEN SECTION IS POWERED	ACCESSORIES INCLUDED SUB-HRDWARE-001 - PANEL MOUNT KIT SCREWS SPK030 - PANEL MOUNT KIT CAGE NUTS REMOTE02 - REMOTE CONNECTOR KIT (4)



LATCHED REMOTE: REMOTE START ONLY
 NO MTD: ALL SECTIONS POWER UP WHEN UNIT IS STARTED

METRIC	THIRD ANGLE PROJECTION	EATON CORPORATION, ELECTRICAL	EATON	SIZE D
SPECIFICATION DRAWING PC975-2109-LTR				
MODIFIED BY: J. OSBORNE	DATE: 26 AUG 2019	UNLESS OTHERWISE SPECIFIED TOLERANCES ON DIMENSIONS ARE: ANGLES: ±1/2° DECIMALS: 0.X: ±0.25 X: (FOR X < 3): ±1 HOLES: ±0.013 0.XX: ±0.25 X: (FOR X > 3): ±2.5 DIMENSIONS ARE IN MILLIMETERS (INCHES) AND AFTER PLATING		SCALE: 0.500 DO NOT SCALE DRAWING OR CHANGE MANUALLY
ECO: 171056	STATE: RELEASE	PRO-ENGINEER GENERATED	PART NAME: PC975-2109-LTR	REVISION: 01 SHEET: 1 of 1
<small>EATON CORPORATION - CONFIDENTIAL AND PROPRIETARY NOTICE TO PERSONS RECEIVING THIS DOCUMENT AND/OR TECHNICAL INFORMATION THIS DOCUMENT, INCLUDING THE DRAWING AND INFORMATION CONTAINED THEREON, IS CONFIDENTIAL AND IS THE EXCLUSIVE PROPERTY OF EATON CORPORATION AND IS LOANED AND SUBJECT TO RECALL BY EATON AT ANY TIME. BY TAKING POSSESSION OF THIS DOCUMENT, THE RECIPIENT ACKNOWLEDGES AND AGREES THAT THIS DOCUMENT CANNOT BE USED IN ANY MANNER ADVERSE TO THE INTERESTS OF EATON, AND THAT NO PORTION OF THIS DOCUMENT MAY BE COPIED OR OTHERWISE REPRODUCED WITHOUT THE PRIOR WRITTEN CONSENT OF EATON. IN THE CASE OF CONFLICTING CONTRACTUAL PROVISIONS, THIS NOTICE SHALL GOVERN THE STATUS OF THIS DOCUMENT. © 2008 Eaton Corporation - All Rights Reserved.</small>				