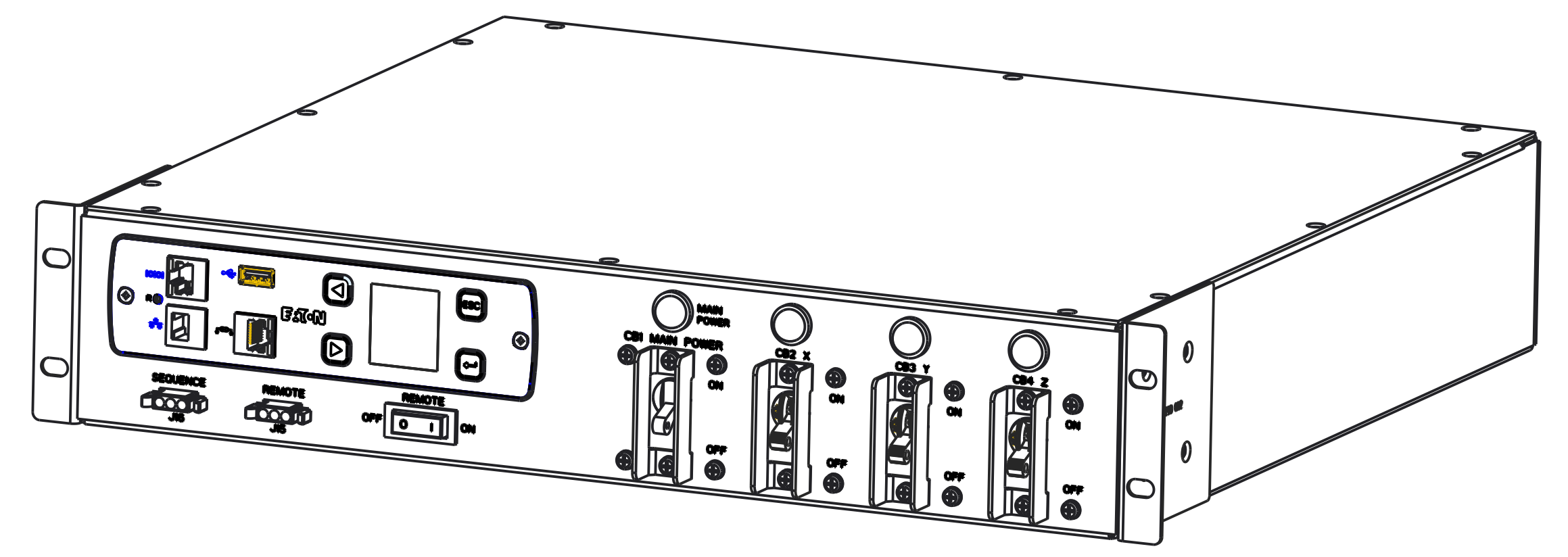
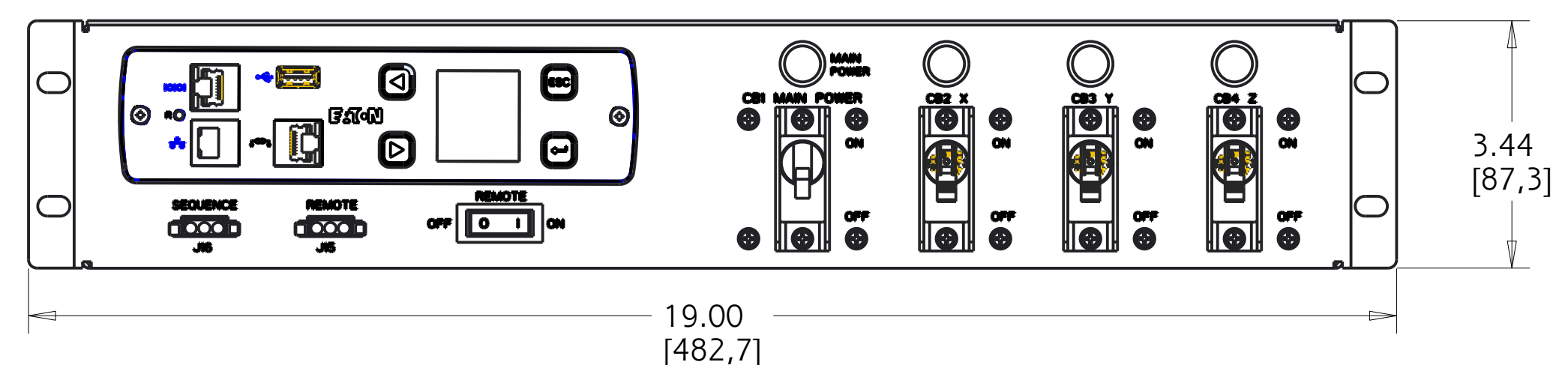
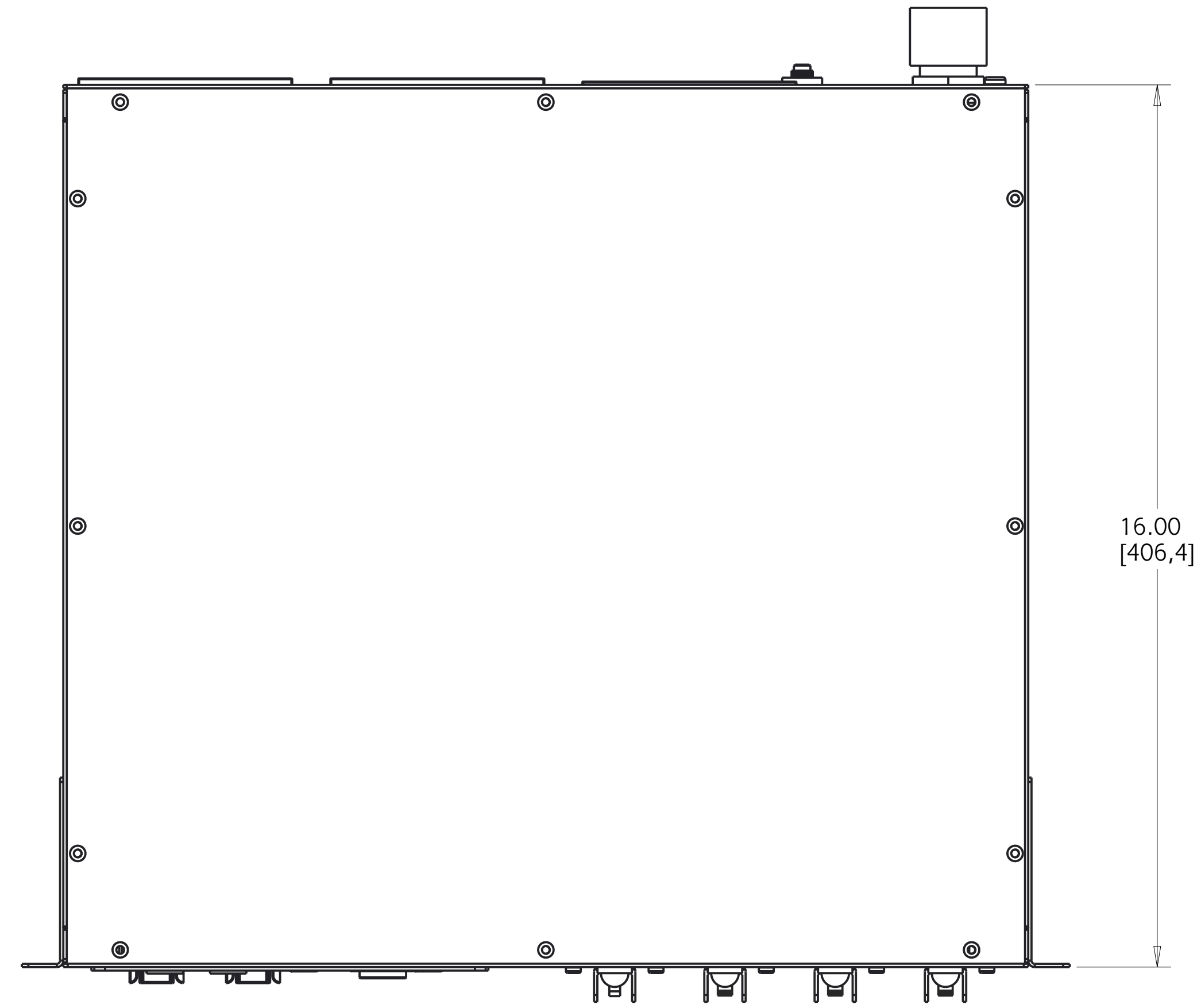
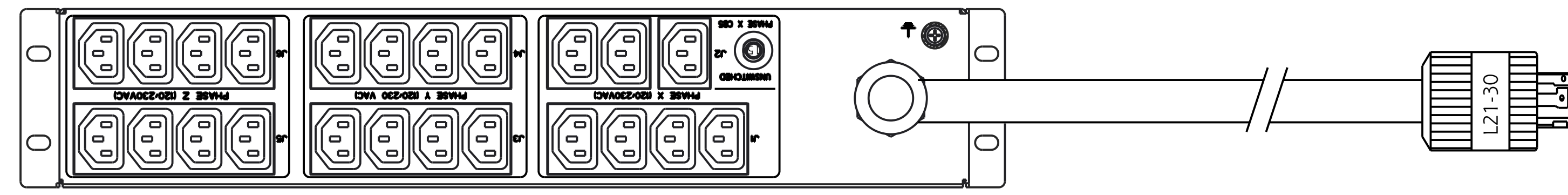
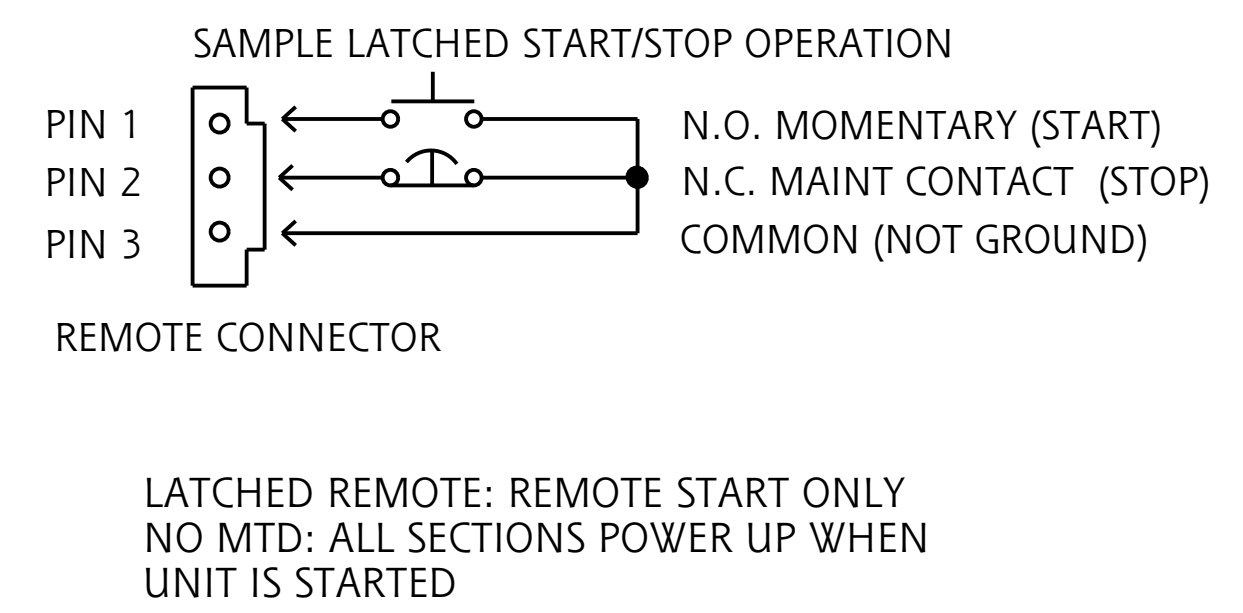


REV	ECO No.	REVISION	DR	CK	AP	AP	DATE
02	179144	REVISED RECEIPTS AT J2	J.O.				3 FEB 20



PC6000R REMOTE EPO

FUNCTIONALITY	INPUT	OUTPUT	ENVIRONMENTAL
POWER CONTROLLER WITH STANDARD REMOTE	NEMA L21-30 PLUG 6FT 10AWG / 5C SOOW POWERCORD	(20) IEC C13, SWITCHED (3) IEC C13, UNSWITCHED	32° TO 113° F 0° TO 45° C
MECHANICAL	INPUT RATING	OUTPUT RATING	CERTIFICATIONS
19.00" (482.6mm) WIDTH 3.44" (87.4mm) HEIGHT 16.00 (406.4mm) DEPTH BLACK CHASSIS	120/208V ~ OR 230/400V ~ 3W + N + PE 24A 50/60HZ	120V ~ OR 230V ~; 12A 12A MAX PER SECTION 24A TOTAL	
CIRCUIT BREAKERS	FILTER AND SPIKE/SURGE	INDICATOR LIGHTS	ACCESSORIES INCLUDED
MAIN (1) 30A 3-POLE UL RECOGNIZED BRANCH (3) 15A 2-POLE UL LISTED, (1) 15A 1-POLE UL RECOGNIZED	EMI/RFI FILTER COMMON AND DIFFERENTIAL MODE SPIKE/SURGE PROTECTION	ONE GREEN FOR MAIN POWER; THREE ONE GREEN, ONE FOR EACH SECTION	SUB-HRDWARE-001 - PANEL MOUNT KIT SCREWS SPK030 - PANEL MOUNT KIT CAGE NUTS REMOTE02 - REMOTE CONNECTOR KIT (2)



METRIC	THIRD ANGLE PROJECTION	EATON CORPORATION, ELECTRICAL	EATON	SIZE D
SPECIFICATION DRAWING PC6000R				
MODIFIED BY: J. OSBORNE	DATE: 7 JUNE 2019	UNLESS OTHERWISE SPECIFIED TOLERANCES ON DIMENSIONS ARE: ANGLES: ±1/2° DECIMALS: 0.X: ±0.75" X, (FOR X < 3): ±1 HOLES: ±0.013 0.XX: ±0.25" X, (FOR X > 3): ±2.5		SCALE: 0.500 DO NOT SCALE DRAWING OR CHANGE MANUALLY
ECO: 166883	STATE: RELEASE	DIMENSIONS ARE IN MILLIMETERS (INCHES) AND AFTER PLATING		
PRO-ENGINEER GENERATED	PART NAME: PC6000R	REVISION: 02	SHEET: 1 of 1	
<small>EATON CORPORATION - CONFIDENTIAL AND PROPRIETARY NOTICE TO PERSONS RECEIVING THIS DOCUMENT AND/OR TECHNICAL INFORMATION THIS DOCUMENT, INCLUDING THE DRAWING AND INFORMATION CONTAINED THEREON, IS CONFIDENTIAL AND IS THE EXCLUSIVE PROPERTY OF EATON CORPORATION AND IS LOANED AND SUBJECT TO RECALL BY EATON AT ANY TIME. BY TAKING POSSESSION OF THIS DOCUMENT, THE RECIPIENT ACKNOWLEDGES AND AGREES THAT THE INTERESTS OF EATON, AND THAT NO PORTION OF THIS DOCUMENT MAY BE COPIED OR OTHERWISE REPRODUCED WITHOUT THE PRIOR WRITTEN CONSENT OF EATON. IN THE CASE OF CONFLICTING CONTRACTUAL PROVISIONS, THIS NOTICE SHALL GOVERN THE STATUS OF THIS DOCUMENT. © 2008 Eaton Corporation - All Rights Reserved.</small>				