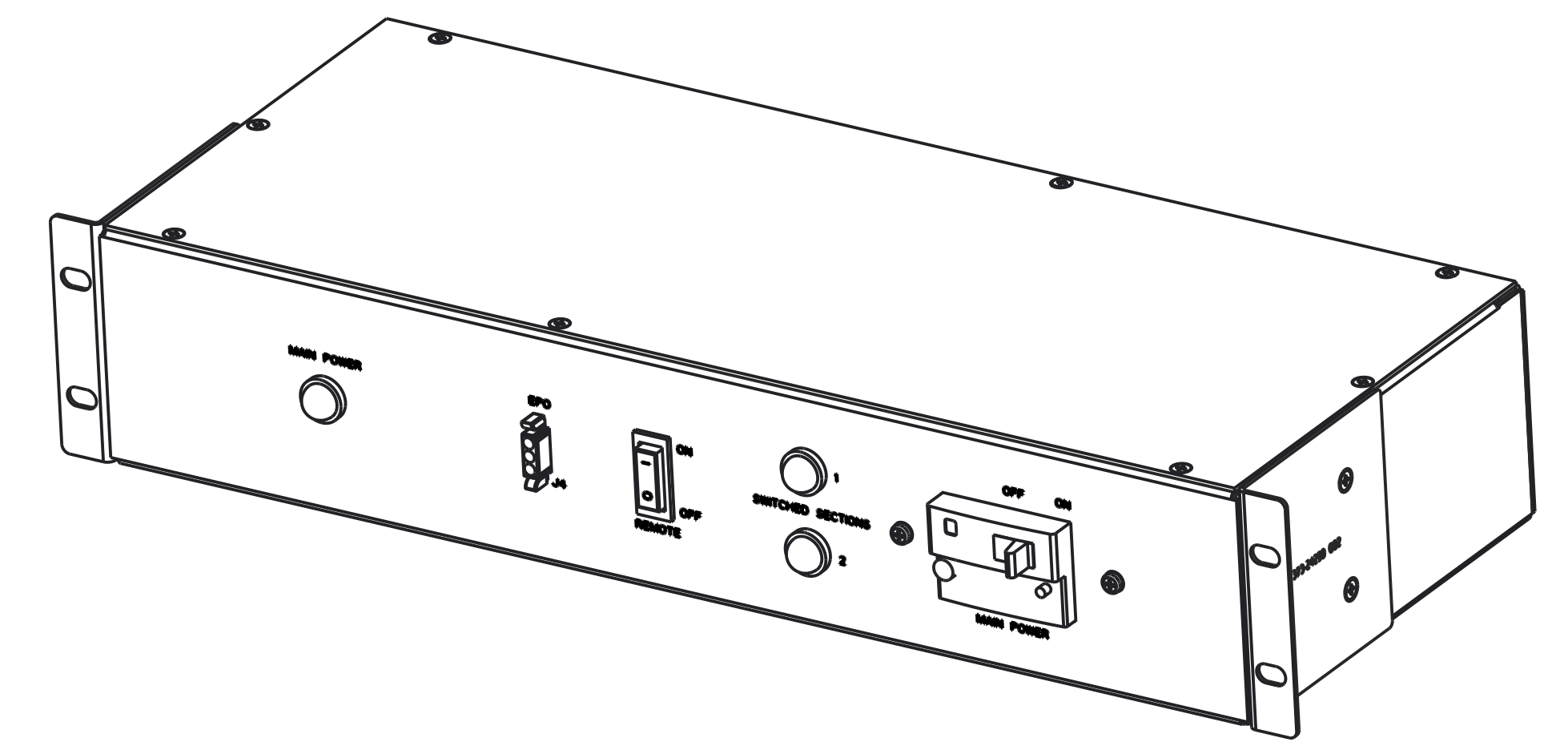
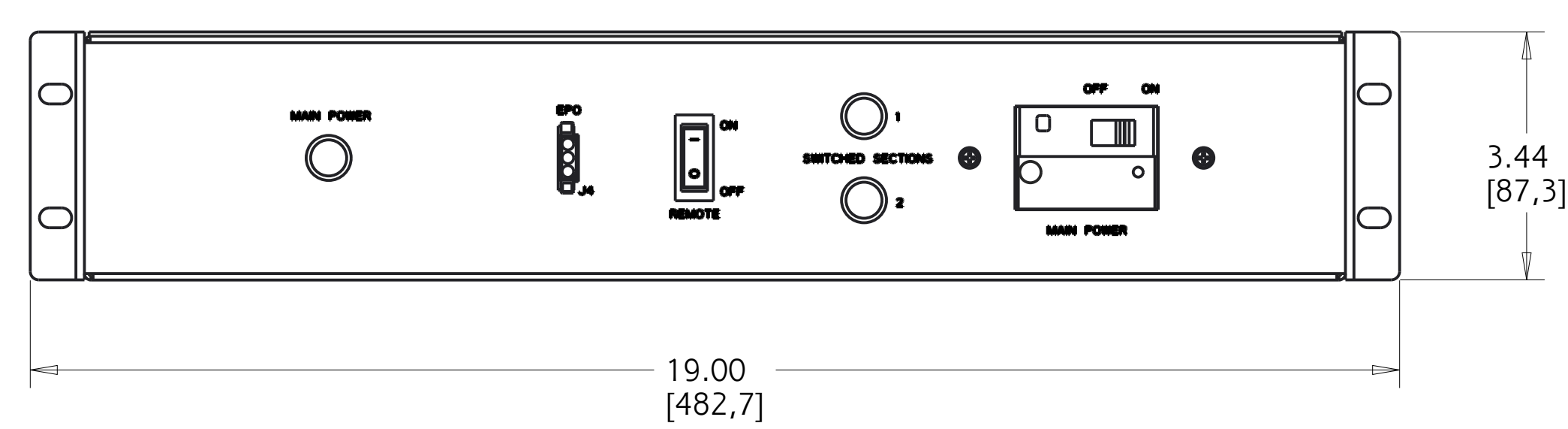
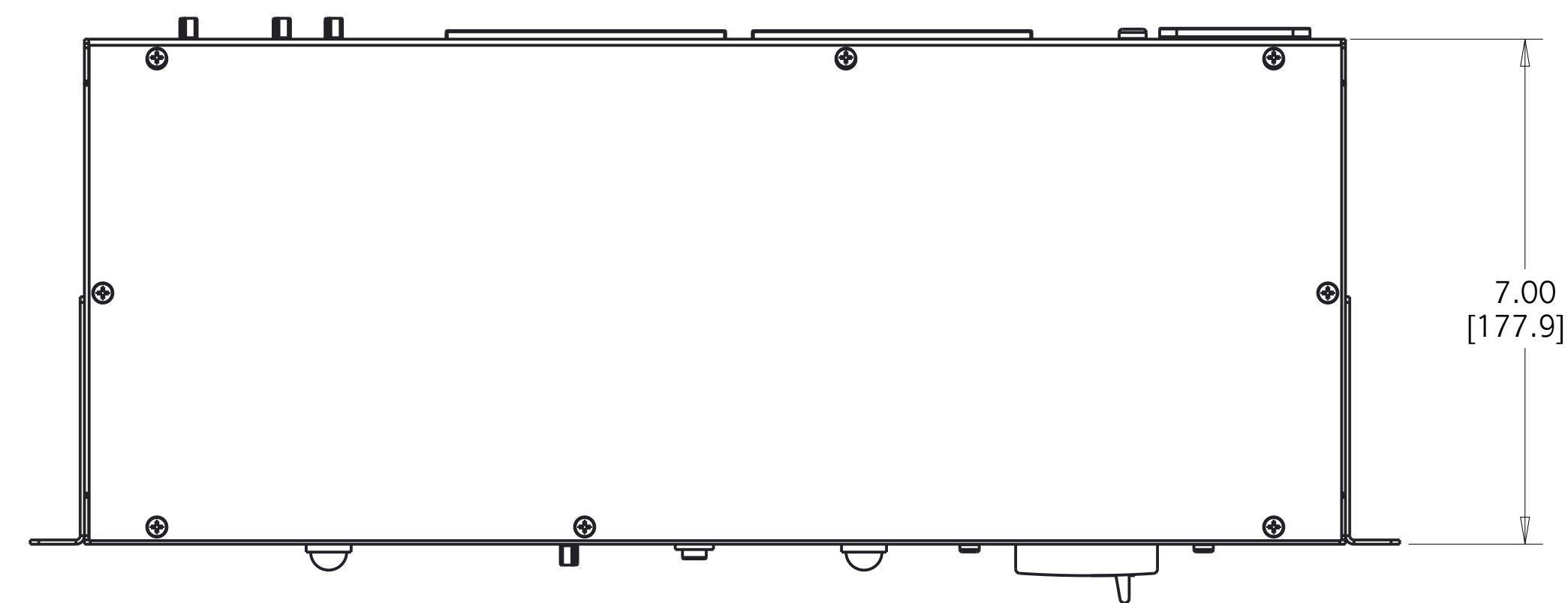
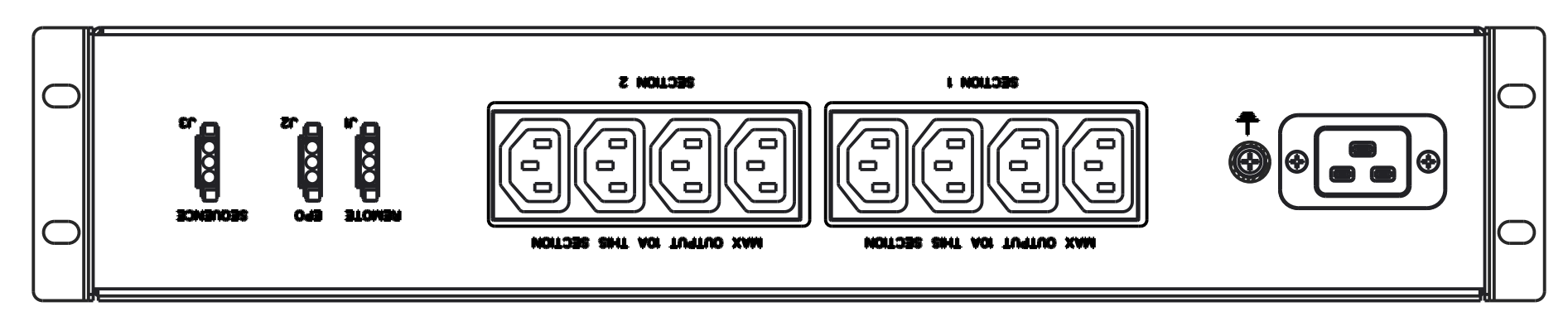


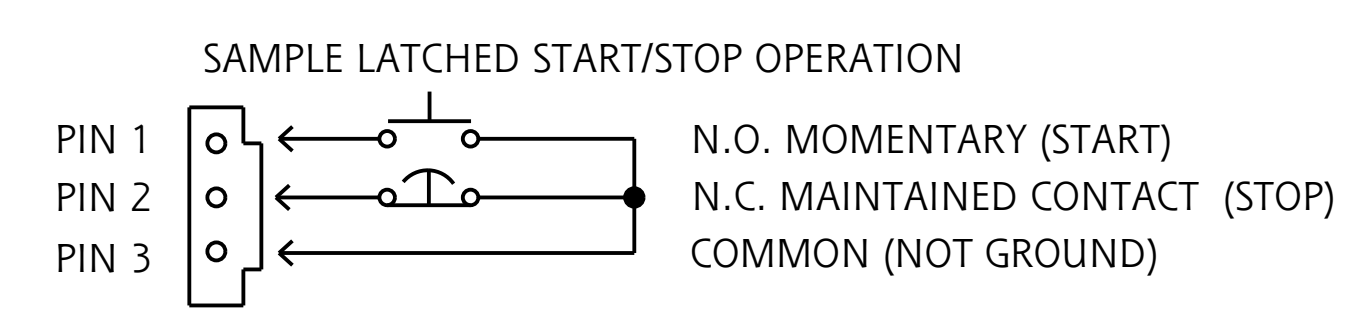


REV	ECO No.	REVISION	DR	CK	AP	DATE
02	147691	ADD UL & CE, CORRECT CONFIG	J.O.			4 SEPT 18



PC5916-7000R REMOTE CONTROL

FUNCTIONALITY	INPUT	OUTPUT	ENVIRONMENTAL
POWER CONTROLLER WITH LATCHING REMOTE	IEC C20 INLET	(8) IEC C13, SWITCHED	32° TO 113° F 0° TO 45° C
MECHANICAL	INPUT RATING	OUTPUT RATING	CERTIFICATIONS
19.00" (482.6mm) WIDTH 3.44" (87.3mm) HEIGHT 7.00 (177.9mm) DEPTH BLACK CHASSIS	100-240V ~ W + N + PE OR 2W + PE 16A 50/60HZ	100-240V ~ 10A MAX PER SECTION 16A MAX TOTAL	  REGULATORY MODEL ER222ECAK1C2LCC
CIRCUIT BREAKERS	FILTER AND SPIKE/SURGE	INDICATOR LIGHTS	ACCESSORIES INCLUDED
MAIN (1) 20A 2-POLE GFCI 30mA TRIP	EMI/RFI FILTER COMMON AND DIFFERENTIAL MODE SPIKE/SURGE PROTECTION	ONE GREEN FOR MAIN POWER; ONE GREEN FOR EACH SECTION, ON WHEN SECTION IS POWERED	SUB-HRDWARE-001 - PANEL MOUNT KIT SCREWS SPK030 - PANEL MOUNT KIT CAGE NUTS REMOTE02 - REMOTE CONNECTOR KIT (4)



REMOTE CONNECTOR

LATCHED REMOTE: REMOTE START ONLY;
PINS 2 AND 3 OF BOTH EPO PORTS MUST
BE CONNECTED FOR UNIT TO START FROM
REMOTE PORT.

NO MTD: ALL SECTIONS POWER UP WHEN
UNIT IS STARTED

METRIC		THIRD ANGLE PROJECTION		EATON CORPORATION, ELECTRICAL		EATON		SIZE D
SPECIFICATION DRAWING PC5916-7000R								
MODIFIED BY: J. OSBORNE	DATE: 6 APR 2018	UNLESS OTHERWISE SPECIFIED TOLERANCES ON DIMENSIONS ARE: ANGLES: ±10° HOLES: ±0.013 DIMENSIONS ARE IN MILLIMETERS (INCHES) AND AFTER PLATING			DECIMALS: 0.X: ±0.75 X, (FOR X < 3): ±1 INCHES: ±0.25 X, (FOR X > 3): ±2.5		SCALE: 0.500 DO NOT SCALE DRAWING OR CHANGE MANUALLY	
ECO: 137832	STATE: RELEASE	PART NAME: PC5916-7000R		REVISION: 02	SHEET: 1 of 1			
<small>EATON CORPORATION - CONFIDENTIAL AND PROPRIETARY NOTICE TO PERSONS RECEIVING THIS DOCUMENT AND/OR TECHNICAL INFORMATION THIS DOCUMENT, INCLUDING THE DRAWING AND INFORMATION CONTAINED THEREON, IS CONFIDENTIAL AND IS THE EXCLUSIVE PROPERTY OF EATON CORPORATION AND IS HEREBY ON LOAN AND SUBJECT TO RECALL BY EATON AT ANY TIME. BY TAKING POSSESSION OF THIS DOCUMENT, THE RECIPIENT ACKNOWLEDGES AND AGREES THAT THIS DOCUMENT CANNOT BE USED IN ANY MANNER ADVERSE TO THE INTERESTS OF EATON, AND THAT NO PORTION OF THIS DOCUMENT MAY BE COPIED OR OTHERWISE REPRODUCED WITHOUT THE PRIOR WRITTEN CONSENT OF EATON. IN THE CASE OF CONFLICTING CONTRACTUAL PROVISIONS, THIS NOTICE SHALL GOVERN THE STATUS OF THIS DOCUMENT. © 2008 Eaton Corporation - All Rights Reserved.</small>								