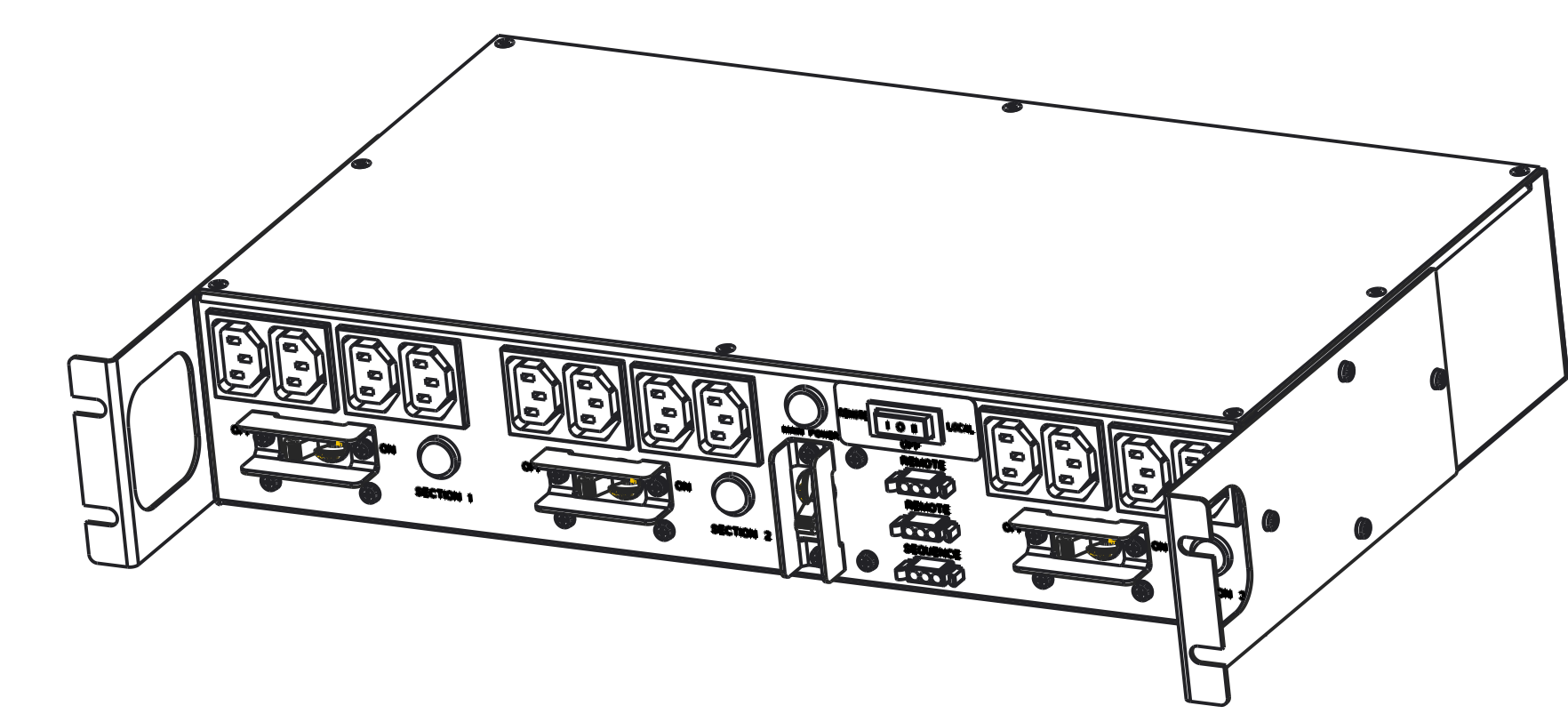
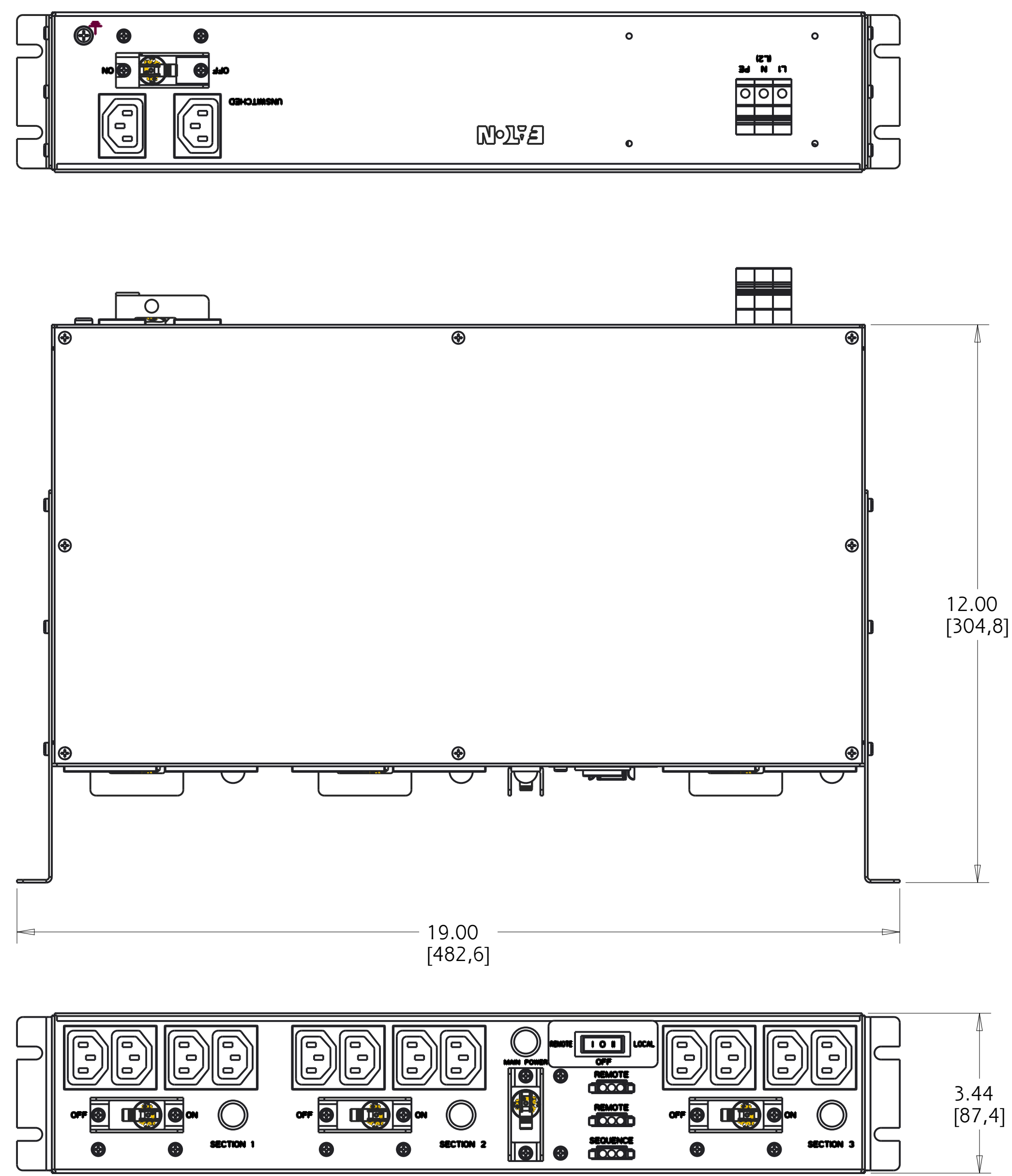
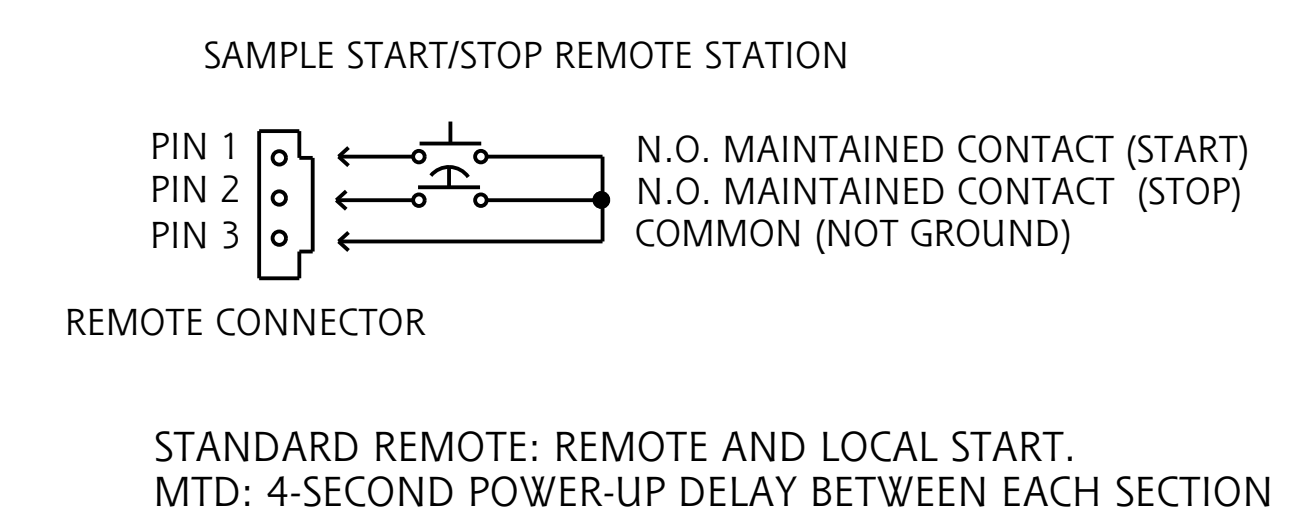


REV	ECO No.	REVISION	DR	CK	AP	DATE



PC5585-CF1-MTR REMOTE EPO

FUNCTIONALITY	INPUT	OUTPUT	ENVIRONMENTAL
POWER CONTROLLER WITH STANDARD REMOTE	3-PT TERMINAL BLOCK	(12) IEC C13, SWITCHED (2) IEC C13, UNSWITCHED	32° TO 113° F 0° TO 45° C
MECHANICAL	INPUT RATING	OUTPUT RATING	CERTIFICATIONS
19.00" (482.6mm) WIDTH 3.44" (87.4mm) HEIGHT 12.00 (304.8mm) DEPTH BLACK CHASSIS	100-240V ~ W + N + PE 24A 50/60HZ	100-240V, 12A 16A MAX PER SECTION 24A TOTAL	
CIRCUIT BREAKERS	FILTER AND SPIKE/SURGE	INDICATOR LIGHTS	ACCESSORIES INCLUDED
MAIN (1) 30A 2-POLE LISTED BRANCH (4) 20A 2-POLE LISTED	EMI/RFI FILTER COMMON AND DIFFERENTIAL MODE	ONE GREEN FOR MAIN POWER; ONE GREEN FOR EACH SECTION, ON WHEN SECTION IS POWERED	SUB-HRDWARE-001 - PANEL MOUNT KIT SCREWS SPK030 - PANEL MOUNT KIT CAGE NUTS REMOTE02 - REMOTE CONNECTOR KIT (4)



METRIC	THIRD ANGLE PROJECTION	EATON CORPORATION, ELECTRICAL	EATON	SIZE D
SPECIFICATION DRAWING PC5585-CF1-MTR				
MODIFIED BY: J. OSBORNE	DATE: 29 MAY 2019	UNLESS OTHERWISE SPECIFIED TOLERANCES ON DIMENSIONS ARE: ANGLES: ±1/2° DECIMALS: 0.X: ±0.15 X: (FOR X < 3): ±1		SCALE: 0.500 DO NOT SCALE
ECO: 165622	STATE: RELEASE	HOLES: ±0.13	0.XX: ±0.25 X: (FOR X > 3): ±2.5	DRAWING OR CHANGE MANUALLY
PRO-ENGINEER GENERATED		PART NAME: PC5585-CF1-MTR	REVISION: 01	SHEET: 1 OF 1

EATON CORPORATION - CONFIDENTIAL AND PROPRIETARY NOTICE TO PERSONS RECEIVING THIS DOCUMENT AND/OR TECHNICAL INFORMATION THIS DOCUMENT, INCLUDING THE DRAWING AND INFORMATION CONTAINED THEREON, IS CONFIDENTIAL AND IS THE EXCLUSIVE PROPERTY OF EATON CORPORATION AND IS HEREBY ON LOAN AND SUBJECT TO RECALL BY EATON AT ANY TIME. BY TAKING POSSESSION OF THIS DOCUMENT, THE RECIPIENT ACKNOWLEDGES AND AGREES THAT THIS DOCUMENT CANNOT BE USED IN ANY MANNER ADVERSE TO THE INTERESTS OF EATON, AND THAT NO PORTION OF THIS DOCUMENT MAY BE COPIED OR OTHERWISE REPRODUCED WITHOUT THE PRIOR WRITTEN CONSENT OF EATON. IN THE CASE OF CONFLICTING CONTRACTUAL PROVISIONS, THIS NOTICE SHALL GOVERN THE STATUS OF THIS DOCUMENT. © 2008 Eaton Corporation - All Rights Reserved.