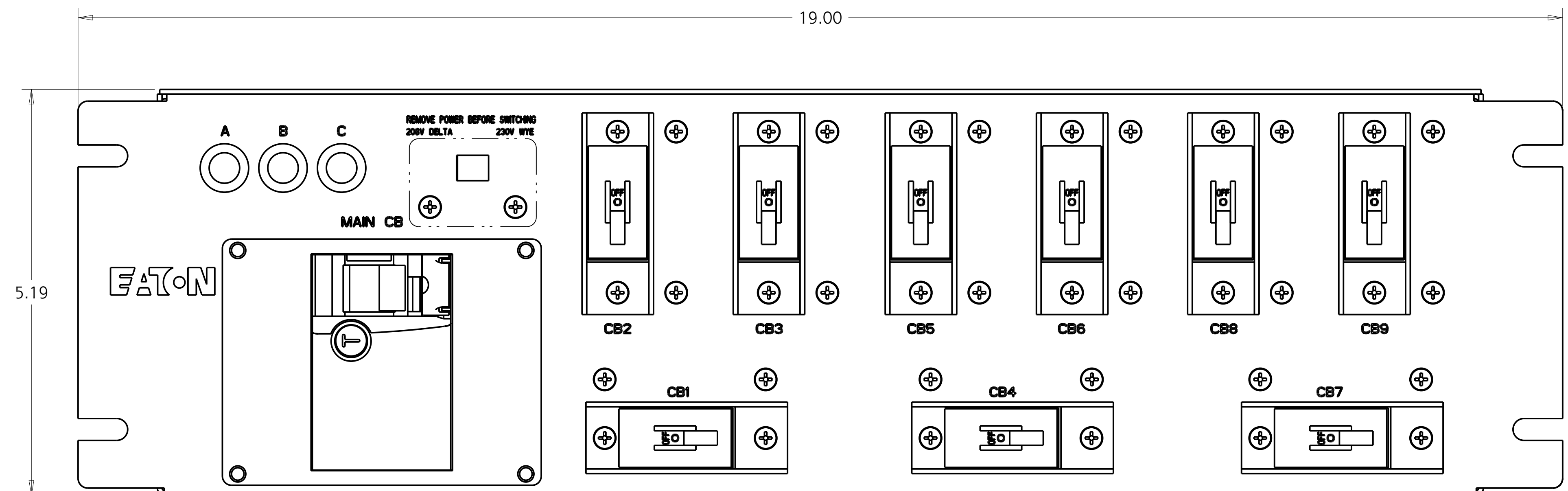
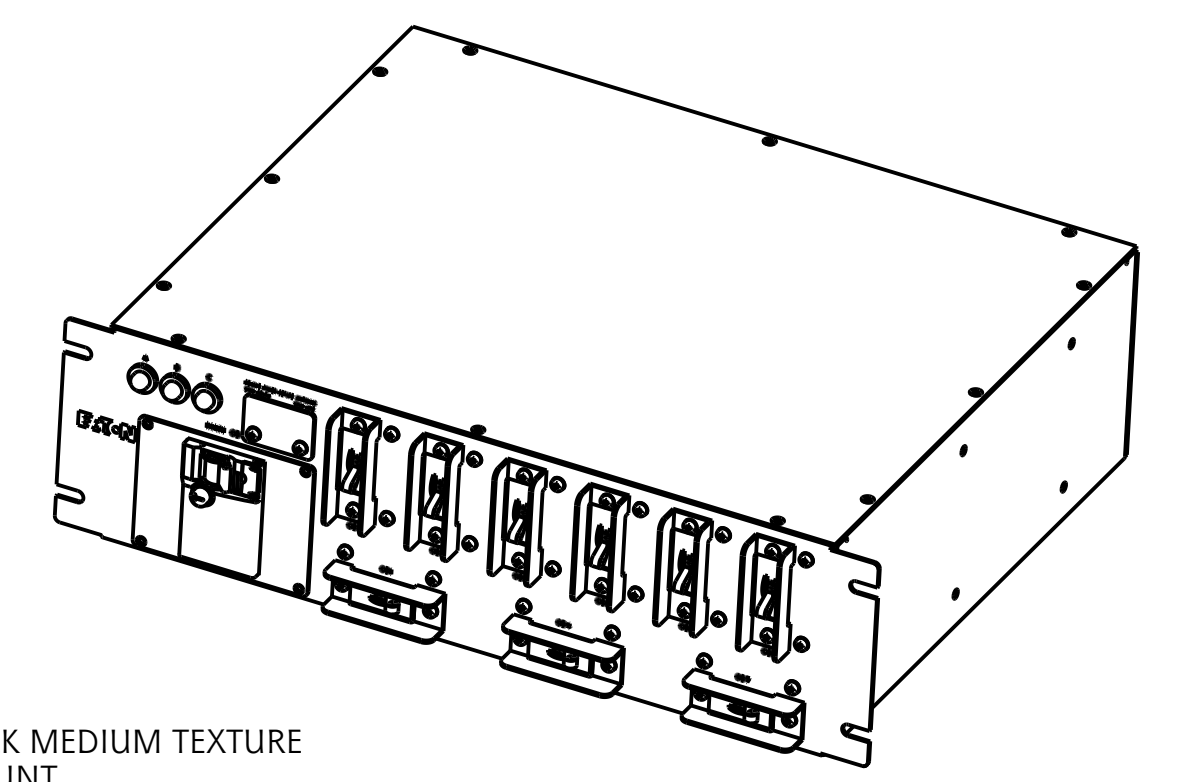


REAR PANEL



FRONT PANEL

REV	ECO #	DESCRIPTION	DR	CK	AP	AP	DATE
001	081400	RELEASED	J.O.				20 JULY 15
002	108853	RELEASED CHANGES TO PROD	L.L.				16 SEPT 16
003	136439	UPDATED FRONT VIEW	L.L.				08 MAR 18



NOTES:

- RACK MOUNT STEEL CHASSIS, BLACK MEDIUM TEXTURE
19.00" WIDE STANDARD RACK MOUNT
5.19" HIGH (3U)
14.00" DEEP
CHASSIS SUPPORT BRACKETS ARE REQUIRED
- INPUT: 3-PHASE 120/208V OR 208V DELTA OR WYE 230/400V 24A
POWERCORD 6-FOOT 10/5 SOOW CABLE WITH NEMA L21-30 PLUG
VOLTAGE SELECTION SWITCH ON FRONT
- OUTPUTS (208 VAC OR 230 VAC):
10A AT FOURTEEN IEC C13 RECEPTACLES J2-J3, J5-J6, J8-J9;
5A AT ONE IEC C13 RECEPTACLE J10A
16A AT THREE IEC C19 RECEPTACLES;
24 VDC 2.5A MAX AT CONNECTOR J13:

VOLTAGE OUTPUTS

208V DELTA	230V WYE
208V AT ALL OUTLETS	230V AT ALL OUTLETS

4. BREAKERS:

- UL LISTED:
- ONE 4-POLE 25A UL1053 RESIDUAL CURRENT CIRCUIT BREAKER MAIN POWER;
 - FIVE 2-POLE 15A UL489, ONE FOR EACH GROUP OF C13 RECEPTACLES J2-J8;
 - ONE 2-POLE 10A UL489 FOR C13 RECEPTACLE J9A
 - THREE 2-POLE 20A UL489, ONE FOR EACH C19 RECEPTACLE

5. FUSES: TWO 5A CLASS G PROTECTING RECEPTACLE J10A (BLOWER)

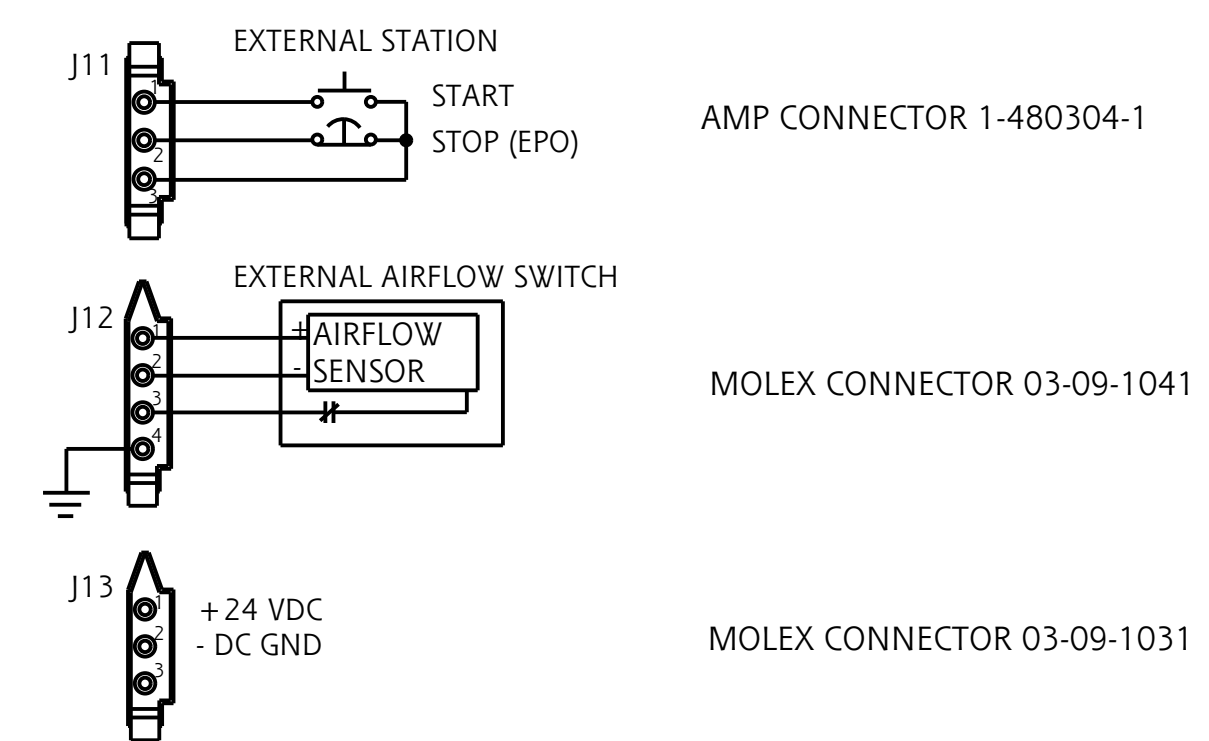
6. NO MTD: ALL RECEPTACLES ARE POWERED WHEN UNIT IS STARTED.

7. FILTER: EMI/RFI, 30AMP RATING
COMMON MODE, LINE TO GROUND, NEUTRAL TO GROUND
DIFFERENTIAL MODE, LINE TO LINE

8. INDICATORS: THREE GREEN FOR PHASE TO PHASE POWER.

9. ALL MATERIALS AND SUB-MATERIALS COMPLY WITH EATON SPECIFICATION 164080496. DOCUMENTATION CERTIFYING COMPLIANCE TO EATON SPECIFICATION 164080496 IS AVAILABLE UPON REQUEST.

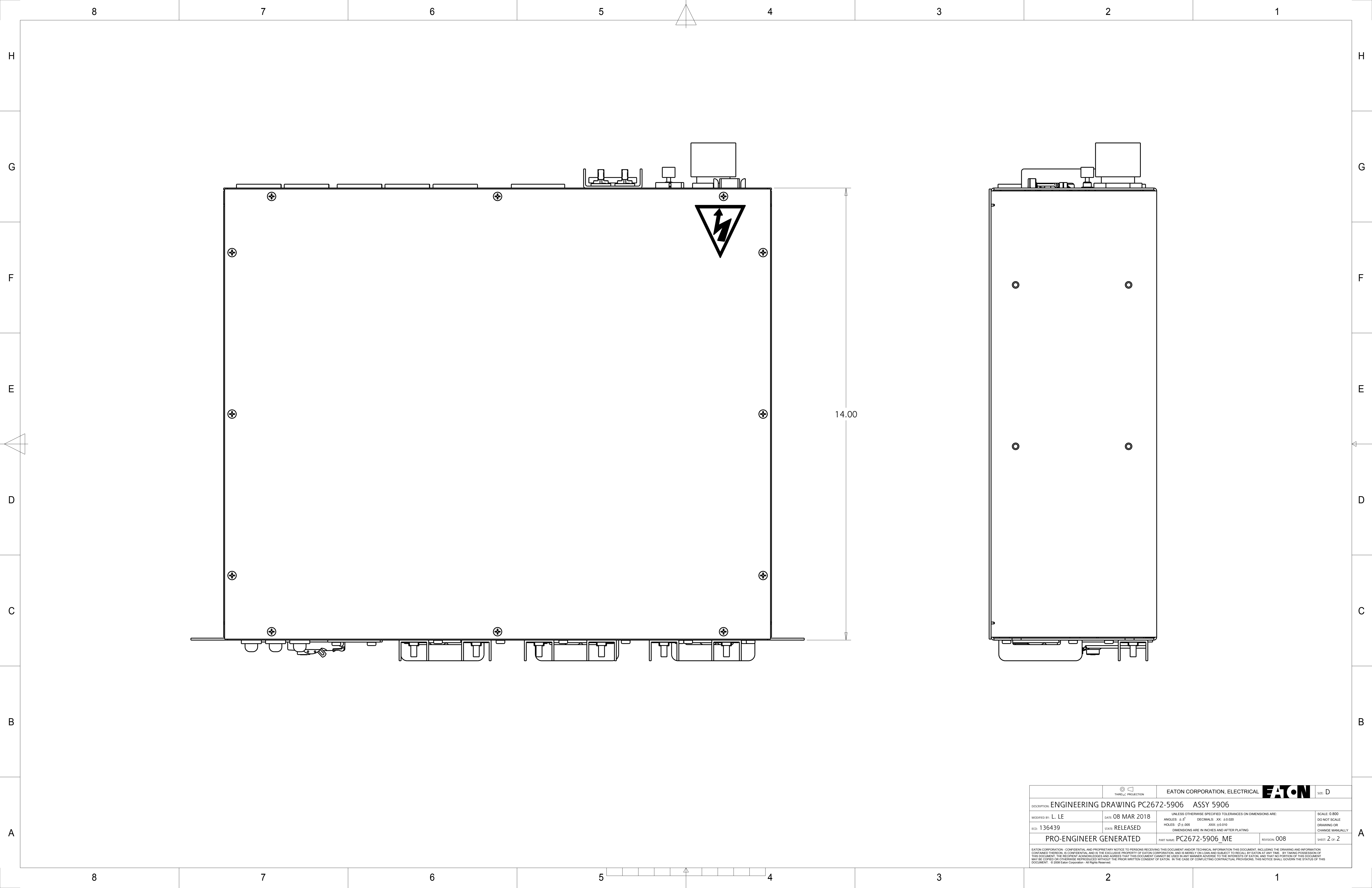
10. REMOTE AND LATCHING PORTS:



"SMD RESET" MOMENTARY PUSHBUTTON BREAKS CURRENT AT PIN 1 OF J13

KLA TENCOR APPROVAL DATE

THIRD ANGLE PROJECTION		EATON CORPORATION, ELECTRICAL		EATON		SIZE D
DESCRIPTION: ENGINEERING DRAWING PC2672-5906 ASSY 5906						
MODIFIED BY: L. LE	DATE: 08 MAR 2018	UNLESS OTHERWISE SPECIFIED TOLERANCES ON DIMENSIONS ARE: ANGLES: ± 1° HOLES: ± 0.005 DIMENSIONS ARE IN INCHES AND AFTER PLATING			SCALE: 1:000 DO NOT SCALE DRAWING OR CHANGE MANUALLY	
ECO: 136439	STATE: RELEASED	PART NAME: PC2672-5906_ME		REVISION: 003	SHEET: 1 OF 2	
PRO-ENGINEER GENERATED						
EATON CORPORATION - CONFIDENTIAL AND PROPRIETARY NOTICE TO PERSONS RECEIVING THIS DOCUMENT AND/OR TECHNICAL INFORMATION THIS DOCUMENT, INCLUDING THE DRAWING AND INFORMATION CONTAINED THEREON, IS CONFIDENTIAL AND IS THE EXCLUSIVE PROPERTY OF EATON CORPORATION, AND IS HEREBY ON LOAN AND SUBJECT TO REGAL BY EATON AT ANY TIME. BY TAKING POSSESSION OF THIS DOCUMENT, THE RECIPIENT ACKNOWLEDGES AND AGREES THAT THIS DOCUMENT CANNOT BE USED IN ANY MANNER ADVERSE TO THE INTERESTS OF EATON, AND THAT NO PORTION OF THIS DOCUMENT MAY BE COPIED OR OTHERWISE REPRODUCED WITHOUT THE PRIOR WRITTEN CONSENT OF EATON. IN THE CASE OF CONFLICTING CONTRACTUAL PROVISIONS, THIS NOTICE SHALL GOVERN THE STATUS OF THIS DOCUMENT. © 2008 Eaton Corporation - All Rights Reserved.						



THIRD ANGLE PROJECTION		EATON CORPORATION, ELECTRICAL		EATON	SIZE D
DESCRIPTION: ENGINEERING DRAWING PC2672-5906 ASSY 5906					
MODIFIED BY: L. LE	DATE: 08 MAR 2018	UNLESS OTHERWISE SPECIFIED TOLERANCES ON DIMENSIONS ARE:		SCALE: 0.800	
ECD: 136439	STATE: RELEASED	ANGLES: ± 0.5°	DECIMALS: XX ± 0.020	DO NOT SCALE	
PRO-ENGINEER GENERATED		PART NAME: PC2672-5906_ME		REVISION: 008	SHEET Z OF 2
<small>EATON CORPORATION - CONFIDENTIAL AND PROPRIETARY NOTICE TO PERSONS RECEIVING THIS DOCUMENT AND/OR TECHNICAL INFORMATION THIS DOCUMENT, INCLUDING THE DRAWING AND INFORMATION CONTAINED THEREON, IS CONFIDENTIAL AND IS THE EXCLUSIVE PROPERTY OF EATON CORPORATION, AND IS HEREBY ON LOAN AND SUBJECT TO RECALL BY EATON AT ANY TIME. BY TAKING POSSESSION OF THIS DOCUMENT, THE RECIPIENT ACKNOWLEDGES AND AGREES THAT THIS DOCUMENT CANNOT BE USED IN ANY MANNER ADVERSE TO THE INTERESTS OF EATON, AND THAT NO PORTION OF THIS DOCUMENT MAY BE COPIED OR OTHERWISE REPRODUCED WITHOUT THE PRIOR WRITTEN CONSENT OF EATON. IN THE CASE OF CONFLICTING CONTRACTUAL PROVISIONS, THIS NOTICE SHALL GOVERN THE STATUS OF THIS DOCUMENT. © 2008 Eaton Corporation - All Rights Reserved.</small>					