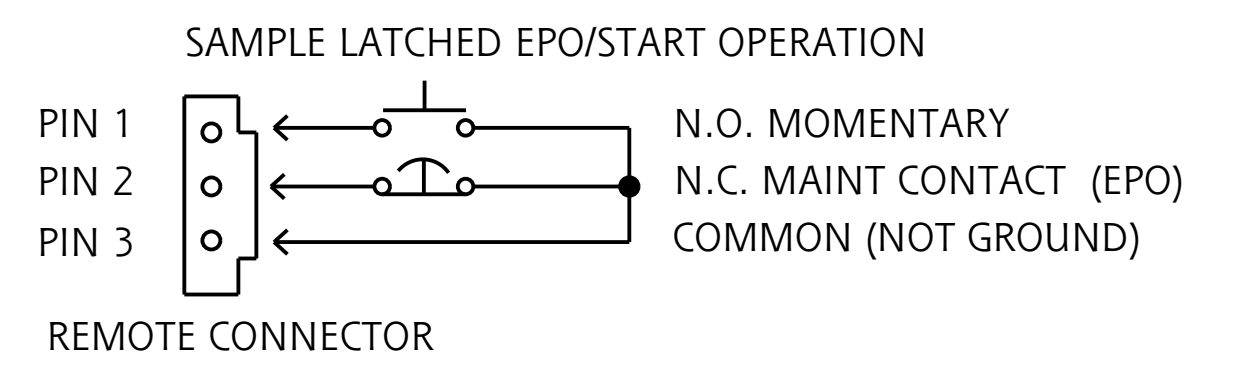
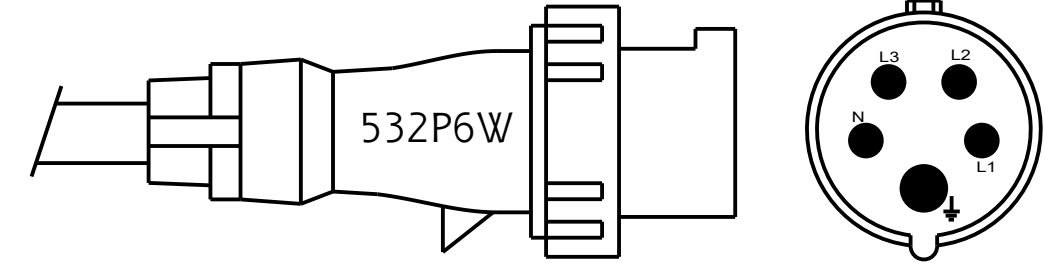
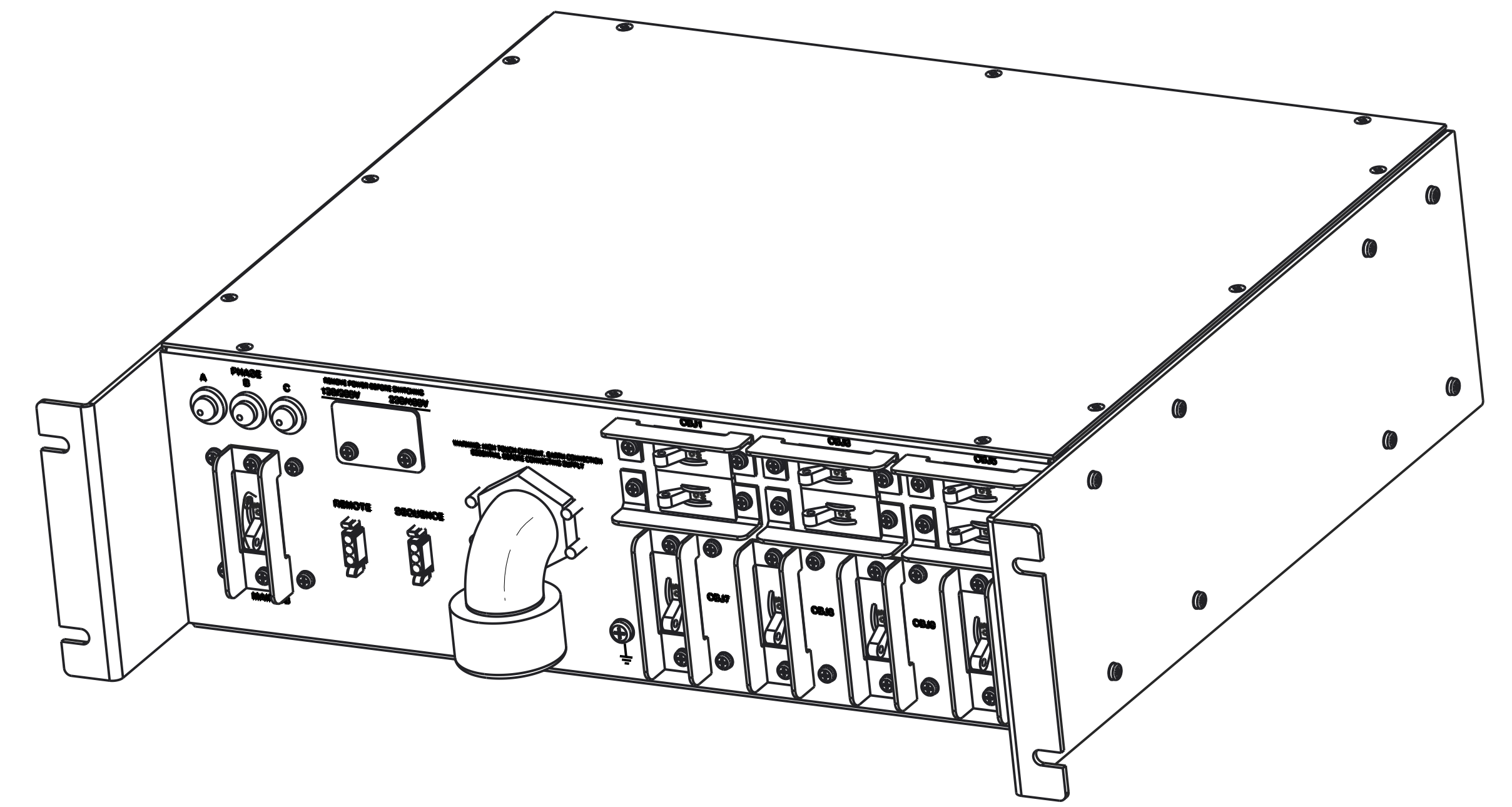
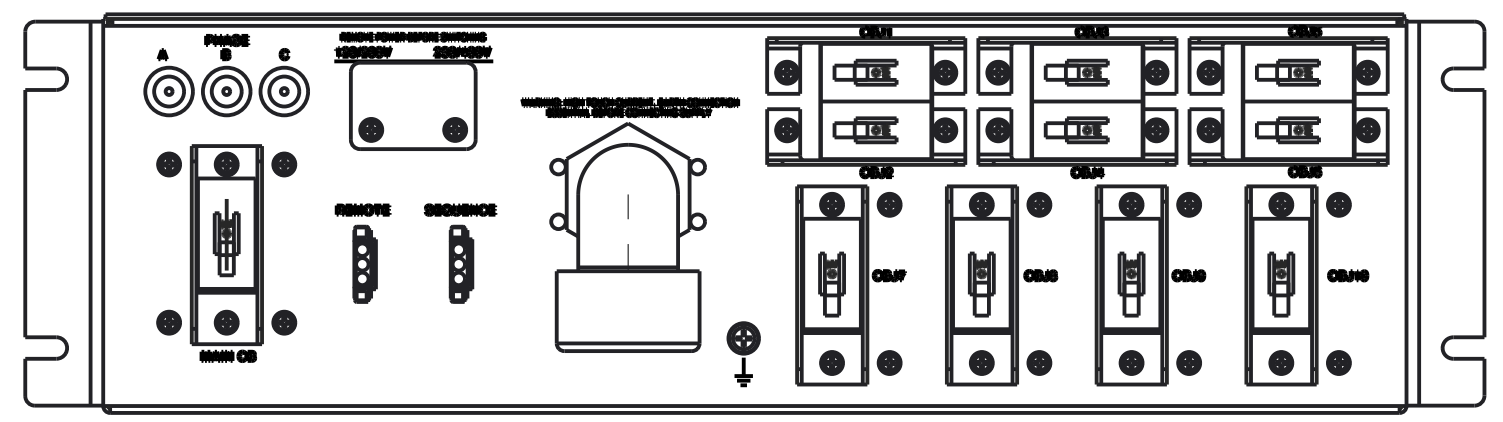
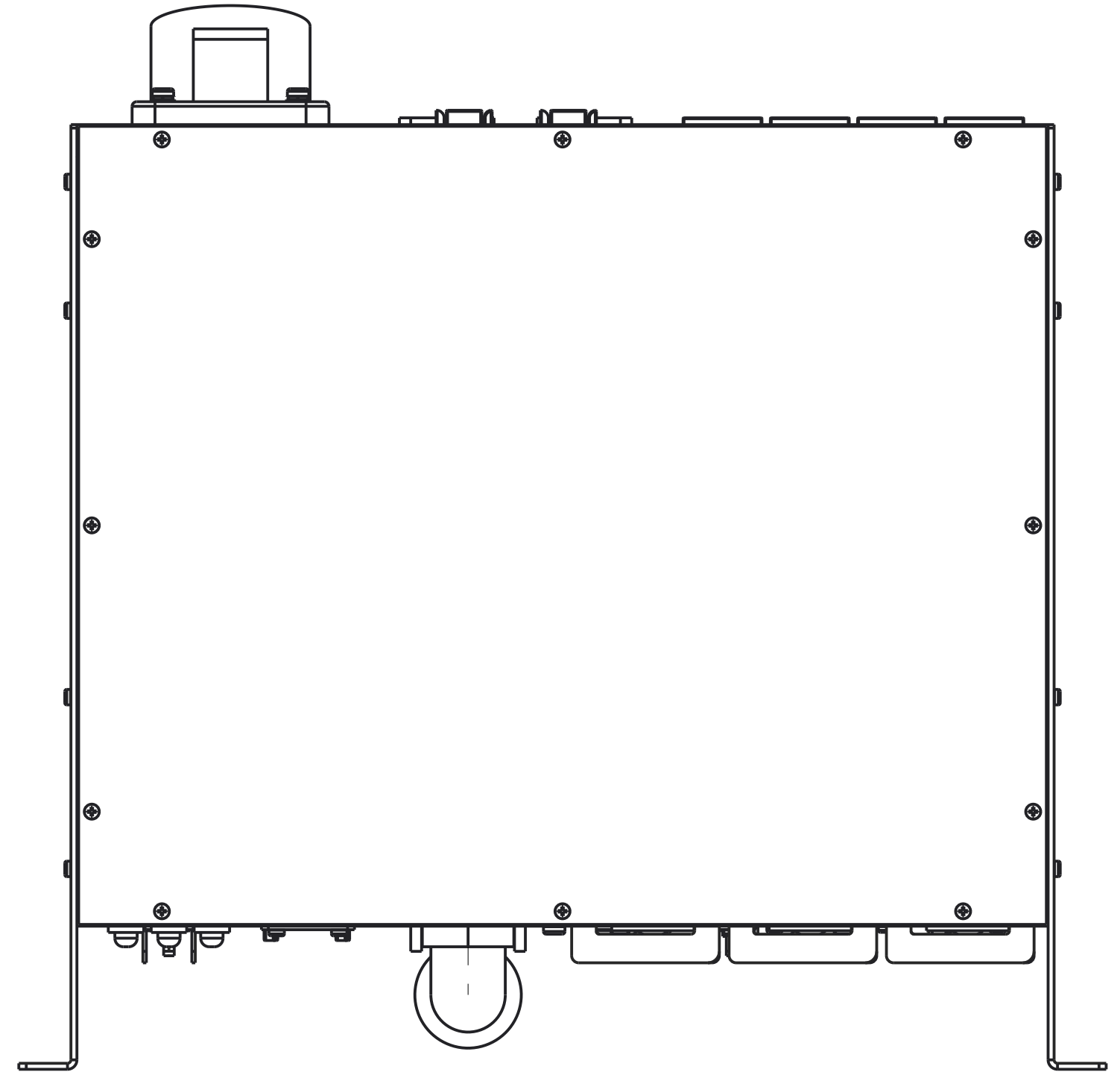
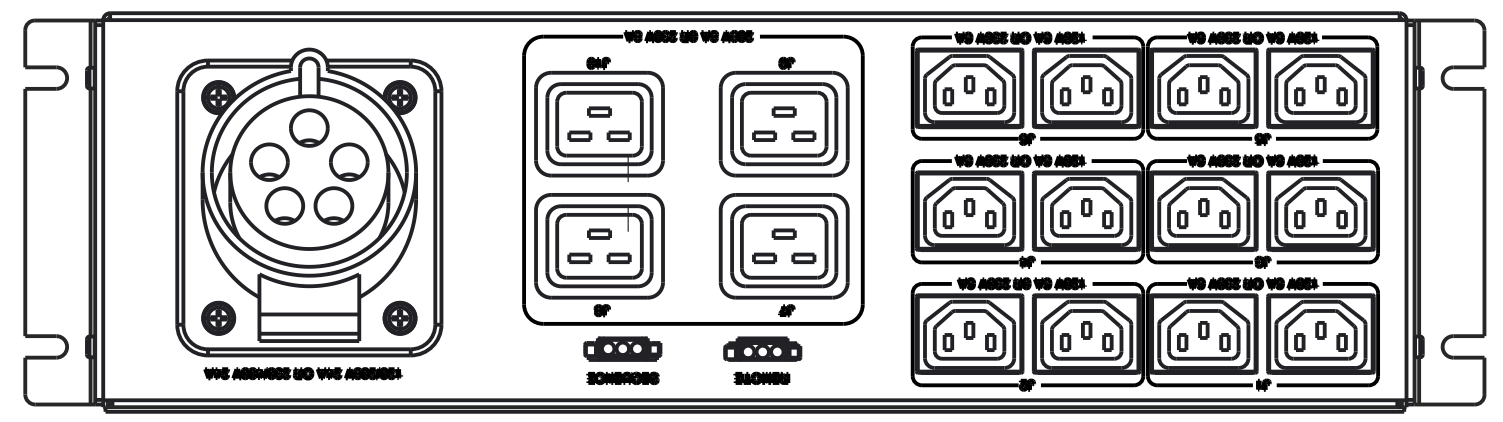


REV	ECO No.	REVISION	DR	CK	AP	DATE
03	147882	STUDS ADDED AT CORD GRIP	J.O.			6 SEPT 18
04	150454	ADDED UL AND CE MARKS	J.O.			17 OCT 18



LATCHED REMOTE: REMOTE START ONLY
 MTD ORDER:
 1: IEC 532R6W
 2: J1-J2-J3-J7-J8
 3: J4-J5-J6-J9-J10
 4: SEQUENCE PORT

PC2672-1R REMOTE EPO

FUNCTIONALITY	INPUT	OUTPUT	ENVIRONMENTAL
POWER CONTROLLER WITH LATCHING REMOTE	IEC 532P6W PLUG 6FT 10AWG / 5C POWERCORD	(1) IEC 532R6W (4) IEC C19 (12) IEC C13	32° TO 140° F 0° TO 60° C
MECHANICAL	INPUT RATING	OUTPUT RATING	CERTIFICATIONS
19.00" (482.6mm) WIDTH 5.19" (131.8mm) HEIGHT 16.50" (419.1mm) DEPTH BLACK CHASSIS	120/208V ~ OR 230/400V ~ 3W + N + PE 24A 50/60HZ	120/208V ~ OR 230/400V ~ 16A MAX PER C19 8A MAX PER C13 24A MAX TOTAL	
CIRCUIT BREAKERS	FILTER AND SPIKE/SURGE	INDICATOR LIGHTS	ACCESSORIES INCLUDED
MAIN: 30A 3-POLE RECOGNIZED BRANCH: (4) 20A 2-POLE LISTED (6) 10A 1-POLE LISTED	EMI/RFI FILTER, COMMON AND DIFFERENTIAL MODE SPIKE/SURGE PROTECTION	(3) GREEN FOR INPUT PHASES	SUB-HRDWARE-001 - PANEL MOUNT KIT SCREWS SPK030 - PANEL MOUNT KIT CAGE NUTS REMOTE02 - REMOTE CONNECTOR KIT (4) EXTRA POWERCORD PLUG

METRIC		THIRD ANGLE PROJECTION		EATON CORPORATION, ELECTRICAL		EATON		SIZE D
SPECIFICATION DRAWING PC2672-1R								
MODIFIED BY: J. OSBORNE	DATE: 18 JAN 2018	UNLESS OTHERWISE SPECIFIED TOLERANCES ON DIMENSIONS ARE: ANGLES: ±10° HOLES: ⌀±0.13			DECIMALS: 0.X (FOR X < 3): ±1	SCALE: 0.400 DO NOT SCALE DRAWING OR CHANGE MANUALLY		
ECO: 133204	STATE: RELEASE	DIMENSIONS ARE IN MILLIMETERS (INCHES) AND AFTER PLATING						
PRO-ENGINEER GENERATED		PART NAME: PC2672-1R		REVISION: 04		SHEET: 1 of 1		
<small>EATON CORPORATION - CONFIDENTIAL AND PROPRIETARY NOTICE TO PERSONS RECEIVING THIS DOCUMENT AND/OR TECHNICAL INFORMATION THIS DOCUMENT, INCLUDING THE DRAWING AND INFORMATION CONTAINED THEREON, IS CONFIDENTIAL AND IS THE EXCLUSIVE PROPERTY OF EATON CORPORATION AND IS SUBJECT TO RECALL BY EATON AT ANY TIME. BY TAKING POSSESSION OF THIS DOCUMENT, THE RECIPIENT ACKNOWLEDGES AND AGREES THAT THIS DOCUMENT CANNOT BE USED IN ANY MANNER ADVERSE TO THE INTERESTS OF EATON, AND THAT NO PORTION OF THIS DOCUMENT MAY BE COPIED OR OTHERWISE REPRODUCED WITHOUT THE PRIOR WRITTEN CONSENT OF EATON. IN THE CASE OF CONFLICTING CONTRACTUAL PROVISIONS, THIS NOTICE SHALL GOVERN THE STATUS OF THIS DOCUMENT. © 2008 Eaton Corporation - All Rights Reserved.</small>								