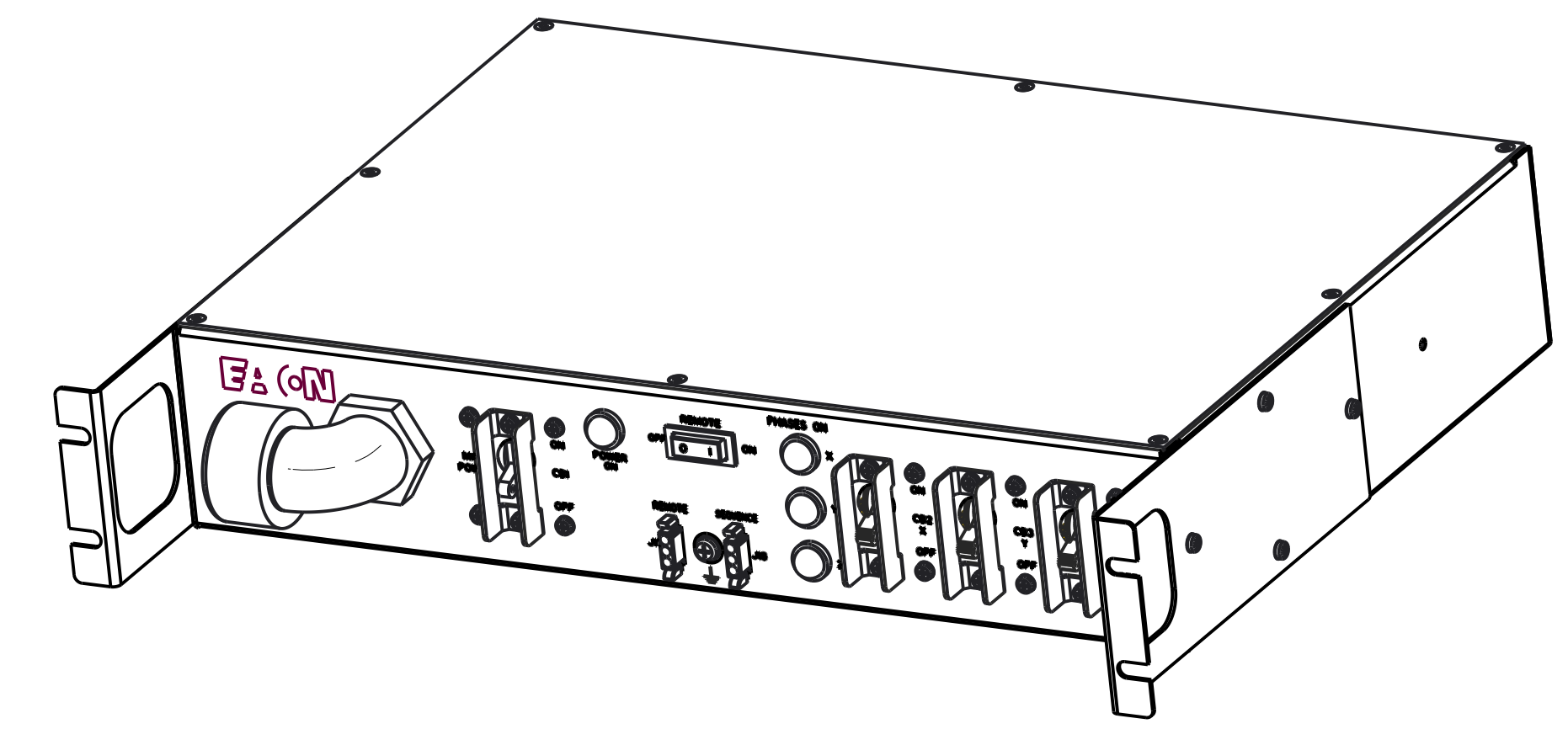
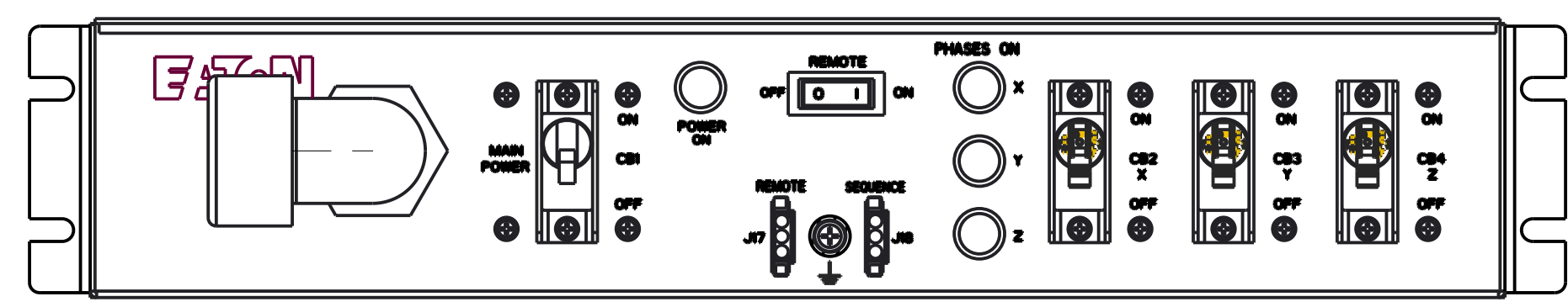
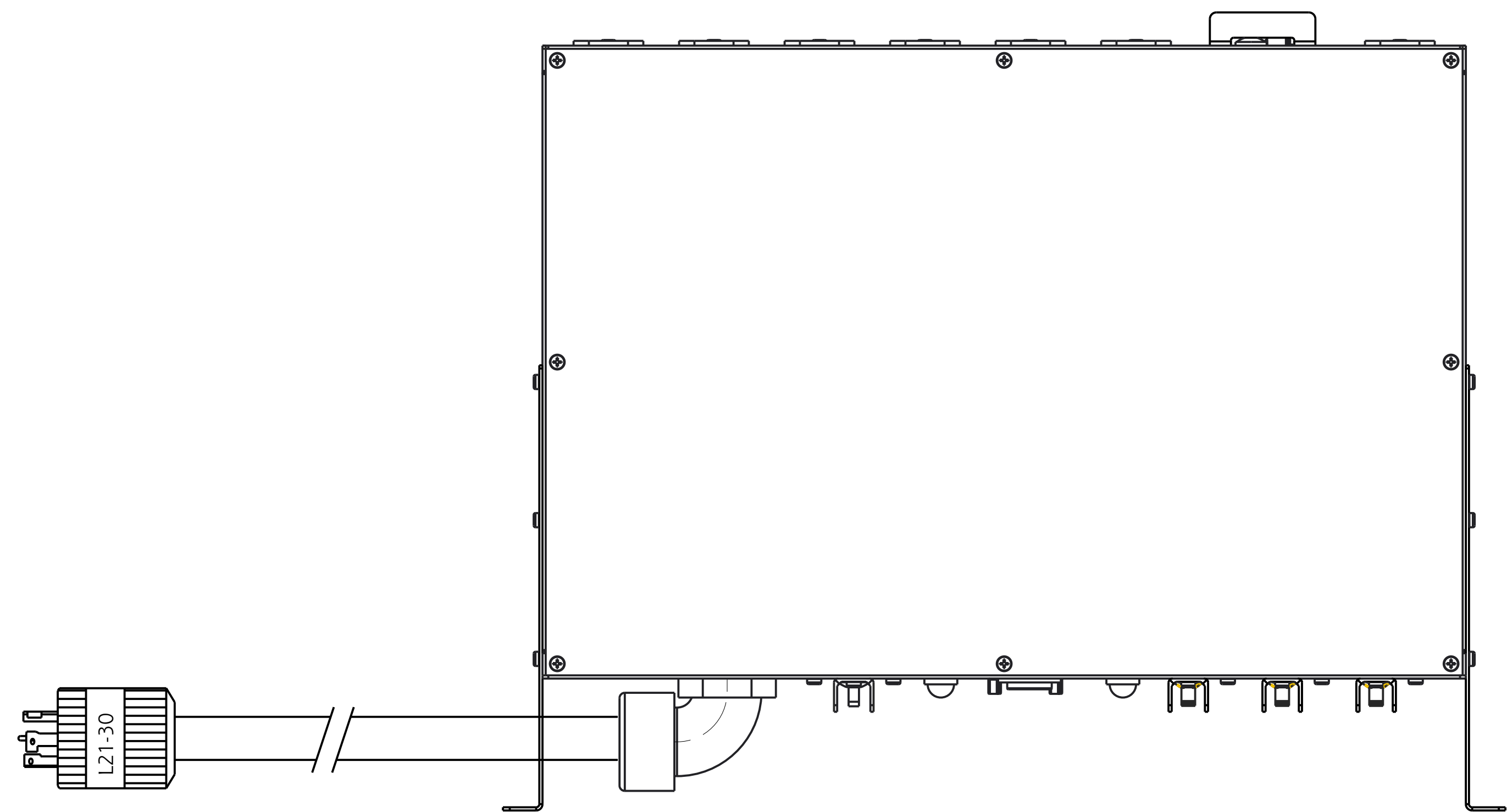
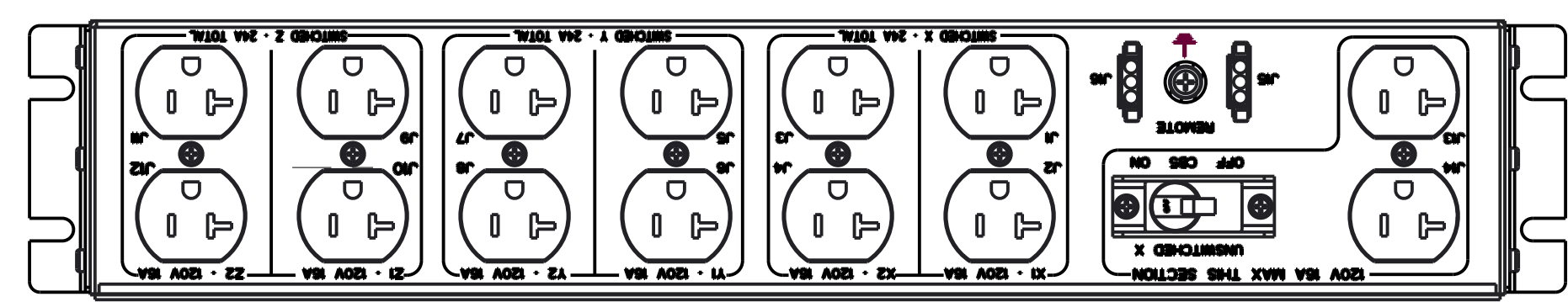
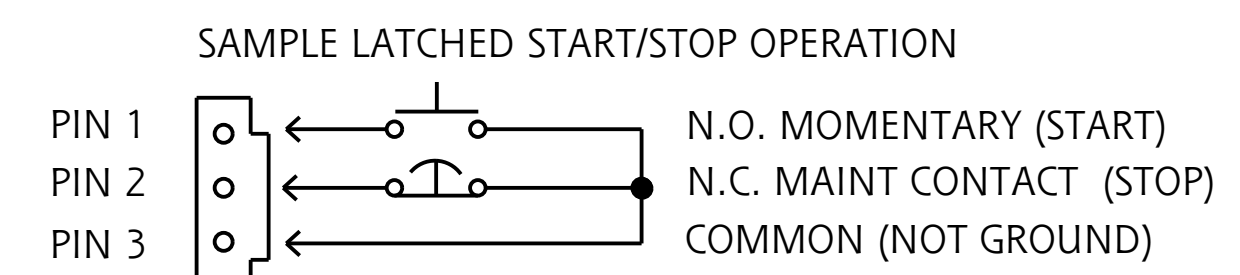


REV	ECO No.	REVISION	DR	CK	AP	AP	DATE
02	147691	ADDED UL MARK	J.O.				5 SEPT 18
03	149699	REPLACE SUB-RECEPT-385 WITH 085-4282 REPLACE P-123000017 WITH 013-0342	J.Y.				9 OCT 18
04	155484	REVISED REVISION TO MATCH	RS				3 JAN 19
05	157520	UPDATE REAR SCREENING	J.O.				4 FEB 19



PC2641-D-LTR REMOTE EPO

FUNCTIONALITY	INPUT	OUTPUT	ENVIRONMENTAL
POWER CONTROLLER WITH LATCHING REMOTE	NEMA L21-30 PLUG 15FT 10AWG / 5C POWERCORD	(12) NEMA 5-20, SWITCHED (2) NEMA 5-20, UNSWITCHED	32° TO 113° F 0° TO 45° C
MECHANICAL	INPUT RATING	OUTPUT RATING	CERTIFICATIONS
19.00" (482.6mm) WIDTH 3.44" (87.4mm) HEIGHT 14.50 (368.3mm) DEPTH BLACK CHASSIS	120/208V ~ 3P + N + PE 24A 50/60HZ	100-127V ~, 16A MAX PER SECTION X1, X2, Y1, Y2, Z1, Z2, UNSWITCHED X 24A MAX PER PHASE	 REGULATORY MODEL ER223PDYZDEBLEH
CIRCUIT BREAKERS	FILTER AND SPIKE/SURGE	INDICATOR LIGHTS	ACCESSORIES INCLUDED
MAIN (1) 30A 3-POLE RECOGNIZED BRANCH (3) 20A 2-POLE LISTED, (1) 20A 1-POLE LISTED	EMI/RFI FILTER COMMON AND DIFFERENTIAL MODE	ONE GREEN FOR MAIN POWER; ONE GREEN FOR EACH SECTION, ON WHEN SECTION IS POWERED	SUB-HRDWARE-001 - PANEL MOUNT KIT SCREWS SPK030 - PANEL MOUNT KIT CAGE NUTS REMOTE02 - REMOTE CONNECTOR KIT (4)



REMOTE CONNECTOR

LATCHED REMOTE: REMOTE START ONLY
NO MTD: ALL SECTIONS POWER UP WHEN UNIT IS STARTED

METRIC	THIRD ANGLE PROJECTION	EATON CORPORATION, ELECTRICAL		SIZE D
SPECIFICATION DRAWING PC2641-D-LTR				
MODIFIED BY: J. OSBORNE	DATE: 25 JULY 18	UNLESS OTHERWISE SPECIFIED TOLERANCES ON DIMENSIONS ARE: ANGLES: ±10° DECIMALS: 0.X: ±0.25 X, (FOR X < 3): ±1 HOLES: ⌀±0.13 ⌀X: ±0.25 X (FOR X > 3): ±2.5		SCALE: 0.500 DO NOT SCALE DRAWING OR CHANGE MANUALLY
ECO: 144736	STATE: RELEASE	DIMENSIONS ARE IN MILLIMETERS (INCHES) AND AFTER PLATING		
PRO-ENGINEER GENERATED		PART NAME: PC2641-D-LTR	REVISION: 05	SHEET: 1 of 1
<small>EATON CORPORATION - CONFIDENTIAL AND PROPRIETARY NOTICE TO PERSONS RECEIVING THIS DOCUMENT AND/OR TECHNICAL INFORMATION THIS DOCUMENT, INCLUDING THE DRAWING AND INFORMATION CONTAINED THEREON, IS CONFIDENTIAL AND IS THE EXCLUSIVE PROPERTY OF EATON CORPORATION AND IS SUBJECT TO EATON'S PATENT RIGHTS AND IS NOT TO BE REPRODUCED, COPIED, OR TRANSMITTED IN ANY MANNER WITHOUT THE PRIOR WRITTEN CONSENT OF EATON. IN THE CASE OF CONFLICTING CONTRACTUAL PROVISIONS, THIS NOTICE SHALL GOVERN THE STATUS OF THIS DOCUMENT. © 2008 Eaton Corporation - All Rights Reserved.</small>				