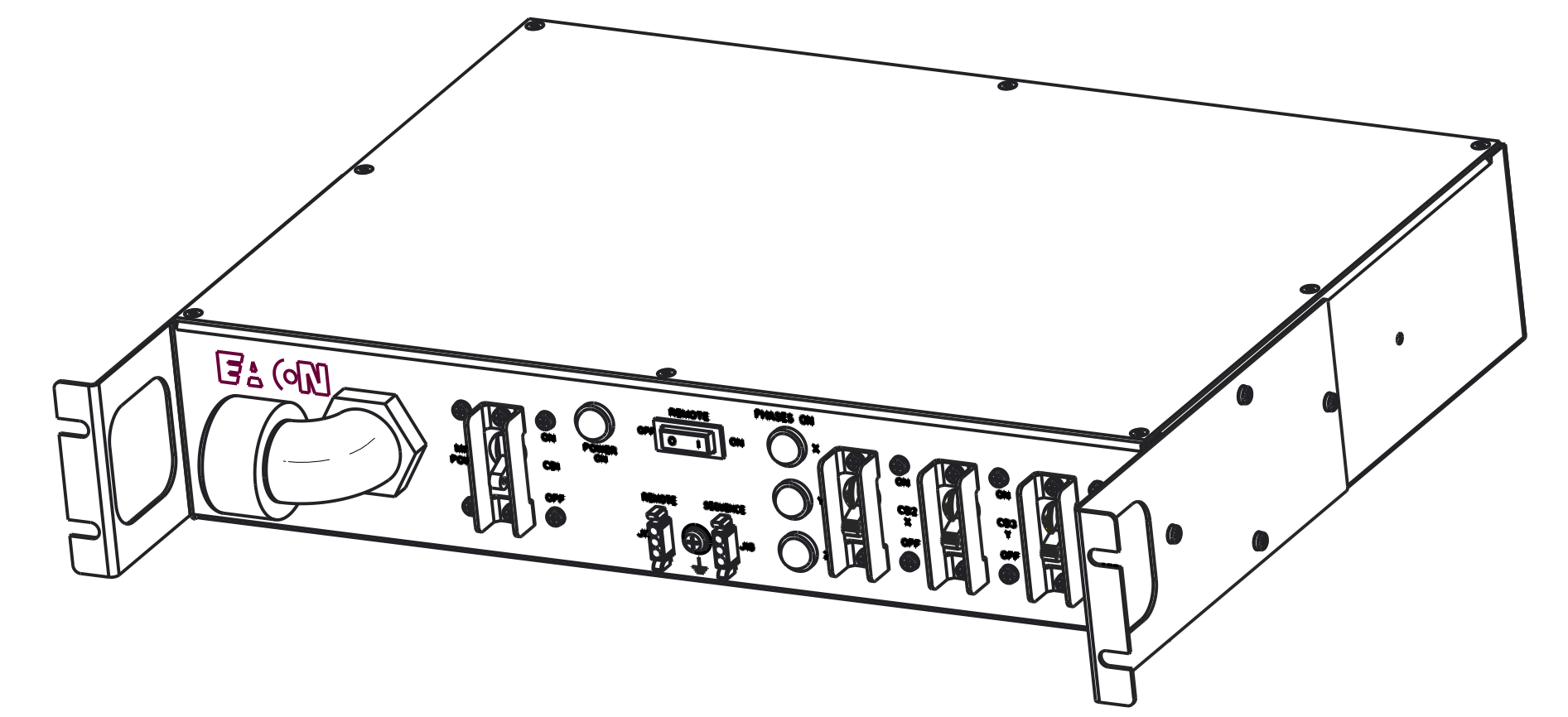
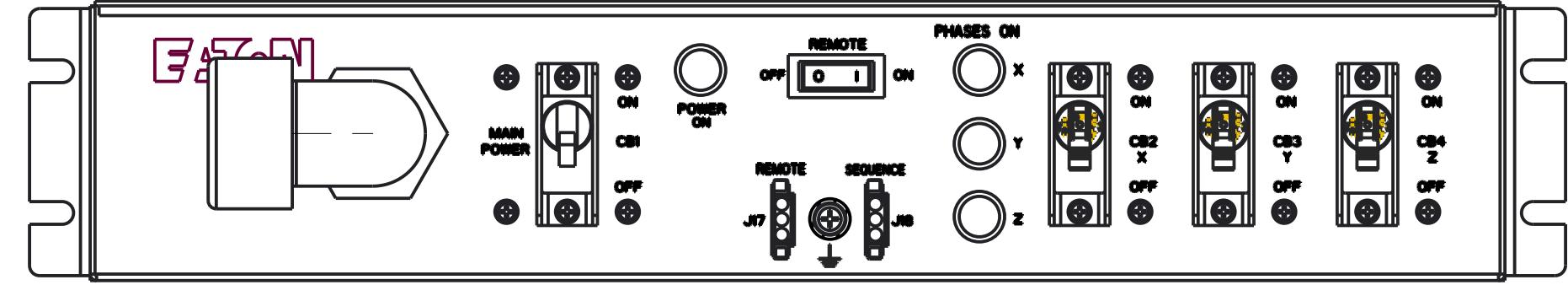
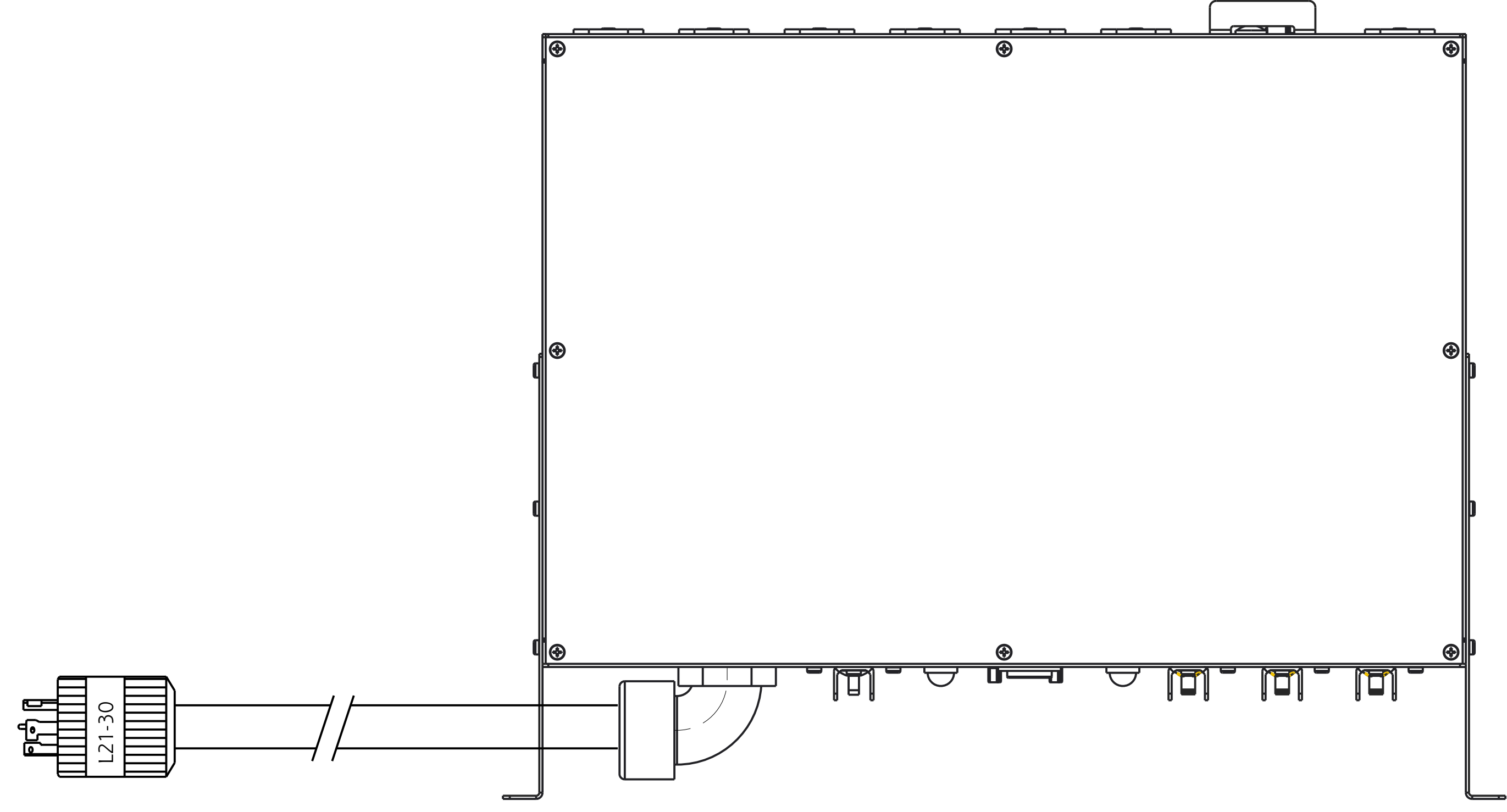
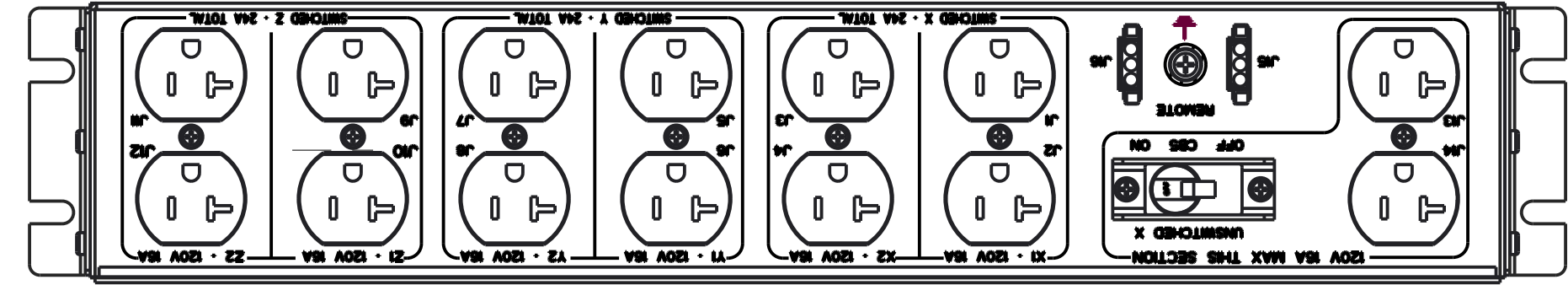
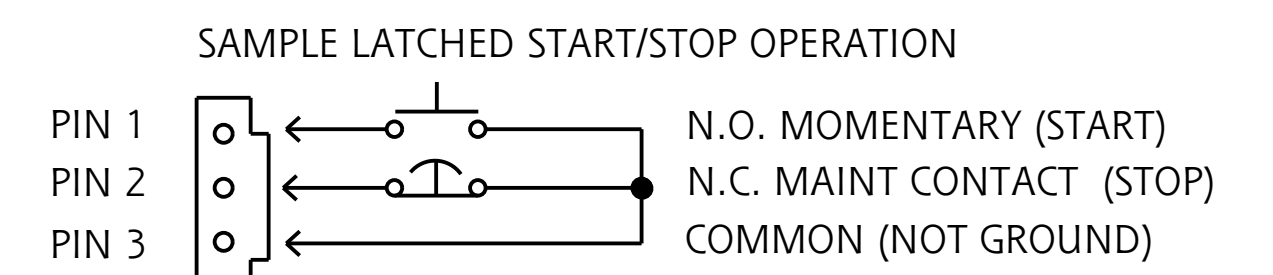


| REV | ECO No. | REVISION | DR | CK | AP | AP | DATE |
|-----|---------|---|------|----|----|----|-----------|
| 02 | 147691 | ADDED UL MARK | J.O. | | | | 5 SEPT 18 |
| 03 | 149699 | REPLACE SUB-RECEPT-385 WITH 085-4282 REPLACE P-123000017 WITH 013-0342 | J.Y. | | | | 9 OCT 18 |
| 04 | 157520 | UPDATE REAR SCREENING | J.O. | | | | 6 FEB 19 |



PC2641-D-LMR REMOTE EPO

| | | | |
|---|---|--|---|
| FUNCTIONALITY | INPUT | OUTPUT | ENVIRONMENTAL |
| POWER CONTROLLER WITH LATCHING REMOTE | NEMA L21-30 PLUG 15FT 10AWG / 5C POWERCORD | (12) NEMA 5-20, SWITCHED (2) NEMA 5-20, UNSWITCHED | 32° TO 113° F 0° TO 45° C |
| MECHANICAL | INPUT RATING | OUTPUT RATING | CERTIFICATIONS |
| 19.00" (482.6mm) WIDTH 3.44" (87.4mm) HEIGHT 14.50 (368.3mm) DEPTH BLACK CHASSIS | 120/208V ~ 3P + N + PE 24A 50/60HZ | 100-127V ~, 16A MAX PER SECTION X1, X2, Y1, Y2, Z1, Z2, UNSWITCHED X 24A MAX PER PHASE | REGULATORY MODEL ER223PDYZDEBMEH |
| CIRCUIT BREAKERS | FILTER AND SPIKE/SURGE | INDICATOR LIGHTS | ACCESSORIES INCLUDED |
| MAIN (1) 30A 3-POLE RECOGNIZED BRANCH (3) 20A 2-POLE LISTED, (1) 20A 1-POLE LISTED | EMI/RFI FILTER COMMON AND DIFFERENTIAL MODE | ONE GREEN FOR MAIN POWER; ONE GREEN FOR EACH SECTION, ON WHEN SECTION IS POWERED | SUB-HRDWARE-001 - PANEL MOUNT KIT SCREWS SPK030 - PANEL MOUNT KIT CAGE NUTS REMOTE02 - REMOTE CONNECTOR KIT (4) |



REMOTE CONNECTOR

LATCHED REMOTE: REMOTE START ONLY.
MTD: SECTIONS POWER UP AT 4-SECOND INTERVALS WHEN UNIT IS STARTED.

| | | | | |
|---|------------------------|---|---------------------------------|---|
| METRIC | THIRD ANGLE PROJECTION | EATON CORPORATION, ELECTRICAL | | SIZE D |
| SPECIFICATION DRAWING PC2641-D-LMR | | | | |
| MODIFIED BY: J. OSBORNE | DATE: 26 JULY 18 | UNLESS OTHERWISE SPECIFIED TOLERANCES ON DIMENSIONS ARE: ANGLES: ±10° HOLES: Ø±0.13 | | SCALE: 0.500 DO NOT SCALE DRAWING OR CHANGE MANUALLY |
| ECO: 144835 | STATE: RELEASE | DECIMALS: 0.X (FOR X < 3) ±1 | DIAM: ±0.25 X (FOR X > 3); ±2.5 | |
| PRO-ENGINEER GENERATED | | PART NAME: PC2641-D-LMR | REVISION: 04 | SHEET: 1 of 1 |
| <small>EATON CORPORATION - CONFIDENTIAL AND PROPRIETARY NOTICE TO PERSONS RECEIVING THIS DOCUMENT AND/OR TECHNICAL INFORMATION THIS DOCUMENT, INCLUDING THE DRAWING AND INFORMATION CONTAINED THEREON, IS CONFIDENTIAL AND IS THE EXCLUSIVE PROPERTY OF EATON CORPORATION AND IS SUBJECT TO RECEIPT BY EATON AT ANY TIME. BY TAKING POSSESSION OF THIS DOCUMENT, THE RECIPIENT ACKNOWLEDGES AND AGREES THAT THIS DOCUMENT CANNOT BE USED IN ANY MANNER ADVERSE TO THE INTERESTS OF EATON, AND THAT NO PORTION OF THIS DOCUMENT MAY BE COPIED OR OTHERWISE REPRODUCED WITHOUT THE PRIOR WRITTEN CONSENT OF EATON. IN THE CASE OF CONFLICTING CONTRACTUAL PROVISIONS, THIS NOTICE SHALL GOVERN THE STATUS OF THIS DOCUMENT. © 2008 Eaton Corporation - All Rights Reserved.</small> | | | | |