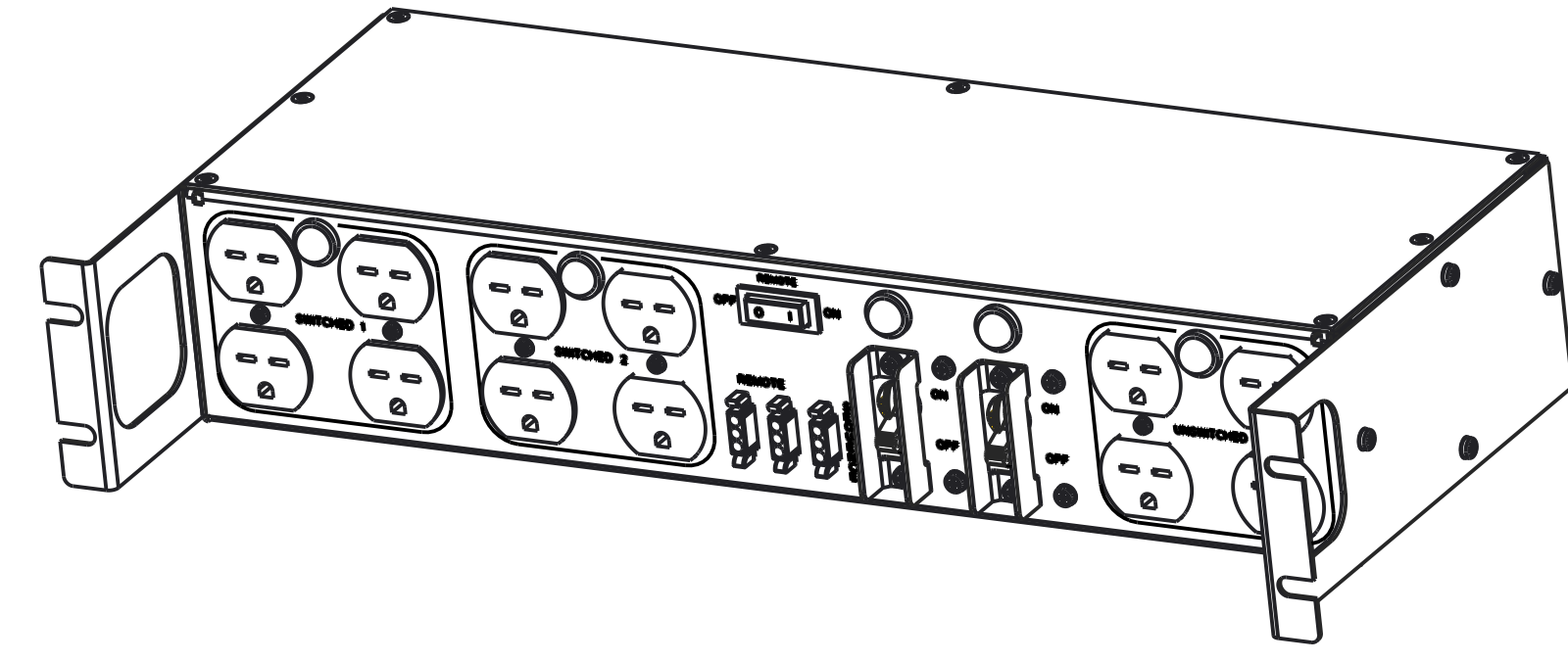
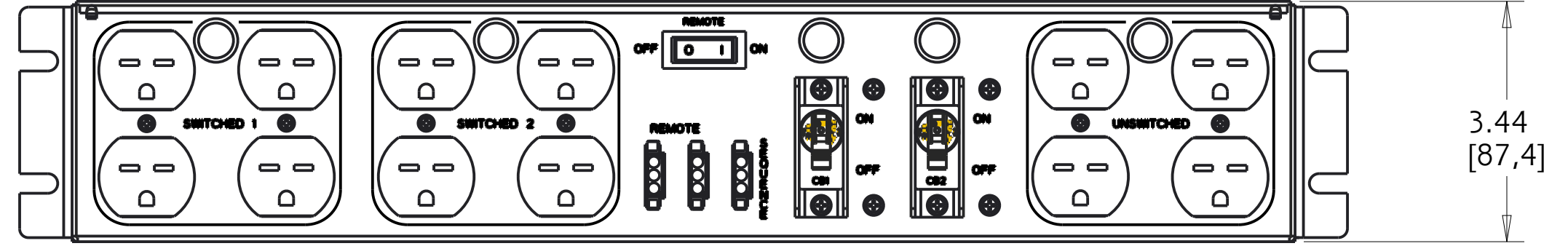
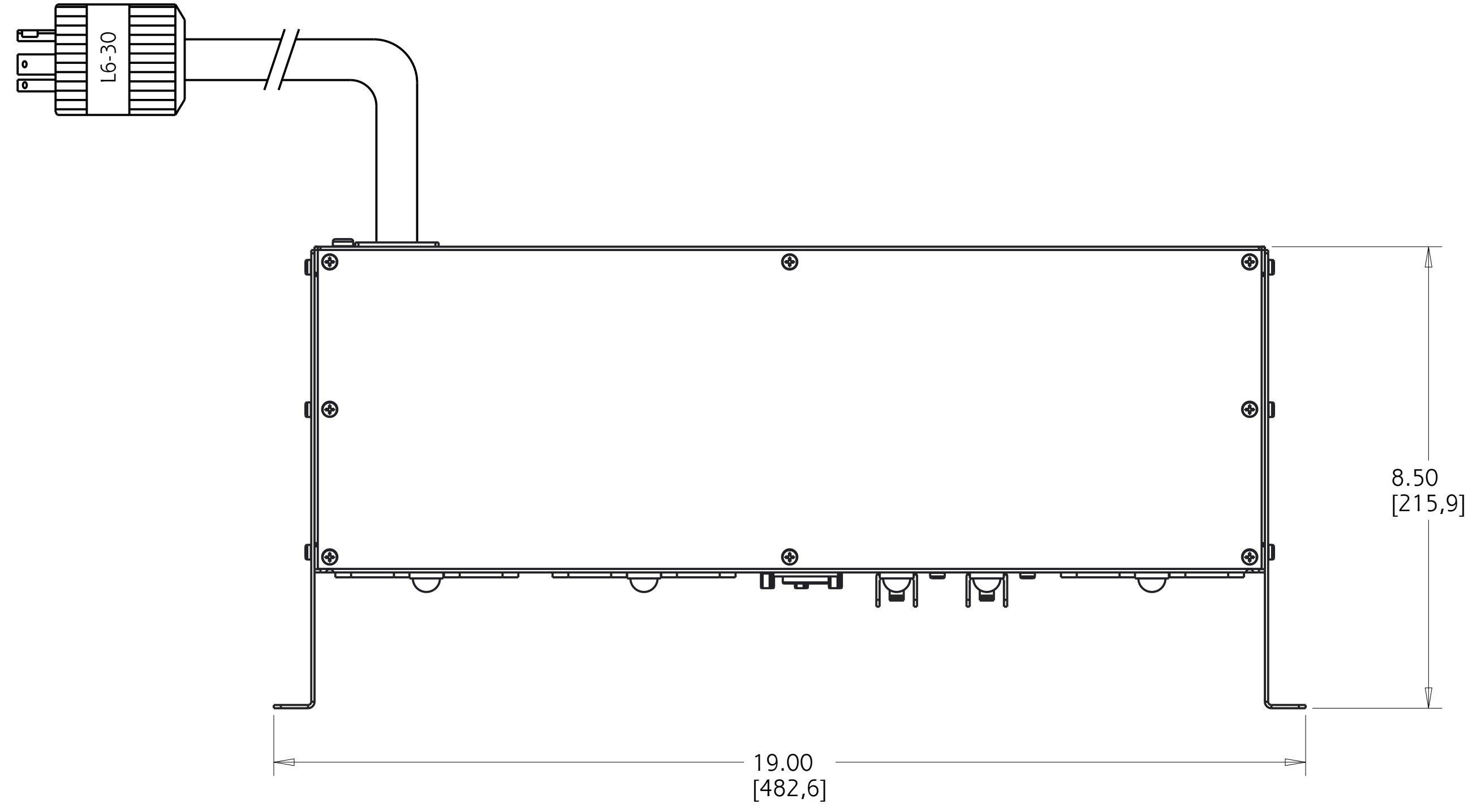
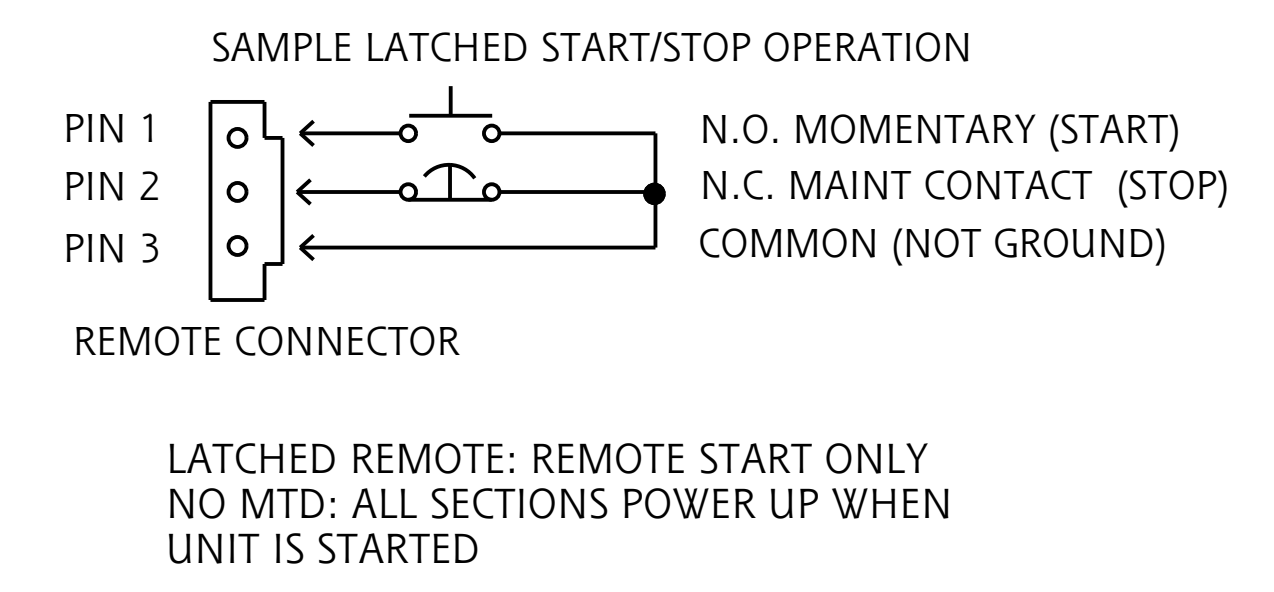


REV	ECO No.	REVISION	DR	CK	AP	DATE
02	159424	REVERSED ROCKER SW	J.O.			28 FEB 19



# PC125-F-LTR REMOTE EPO

<b>FUNCTIONALITY</b> POWER CONTROLLER WITH LATCHING REMOTE	<b>INPUT</b> NEMA L6-30 PLUG 15FT 10AWG / 3C POWERCORD	<b>OUTPUT</b> (8) NEMA 6-15, SWITCHED (4) NEMA 6-15, UNSWITCHED	<b>ENVIRONMENTAL</b> 32° TO 113° F 0° TO 45° C
<b>MECHANICAL</b> 19.00" (482.6mm) WIDTH 3.44" (87.4mm) HEIGHT 8.50 (215.9mm) DEPTH BLACK CHASSIS	<b>INPUT RATING</b> 200-240V ~ 2W + PE 24A 50/60HZ	<b>OUTPUT RATING</b> 200-240V ~ ; 12A 16A MAX PER SECTION 24A MAX TOTAL	<b>CERTIFICATIONS</b>  REGULATORY MODEL ER222MTYB1D2LFE
<b>CIRCUIT BREAKERS</b> MAIN (1) 20A 2-POLE (CB1) BRANCH (1) 20A 2-POLE (CB2)	<b>FILTER AND SPIKE/SURGE</b> EMI/RFI FILTER COMMON AND DIFFERENTIAL MODE SPIKE/SURGE PROTECTION	<b>INDICATOR LIGHTS</b> ONE GREEN FOR MAIN POWER; ONE GREEN FOR EACH SECTION, ON WHEN SECTION IS POWERED	<b>ACCESSORIES INCLUDED</b> SUB-HRDWARE-001 - PANEL MOUNT KIT SCREWS SPK030 - PANEL MOUNT KIT CAGE NUTS REMOTE02 - REMOTE CONNECTOR KIT (3)



METRIC	THIRD ANGLE PROJECTION	EATON CORPORATION, ELECTRICAL	<b>EATON</b>	SIZE D
SPECIFICATION DRAWING PC125-F-LTR				
MODIFIED BY: J. OSBORNE	DATE: 19 JULY 18	UNLESS OTHERWISE SPECIFIED TOLERANCES ON DIMENSIONS ARE: ANGLES: ±10° HOLES: ±0.013 DIMENSIONS ARE IN MILLIMETERS (INCHES) AND AFTER PLATING		SCALE: 0.500 DO NOT SCALE DRAWING OR CHANGE MANUALLY
ECO: 144393	STATE: RELEASE	PART NAME: PC125-F-LTR		REVISION: 02
PRO-ENGINEER GENERATED		PART NAME: PC125-F-LTR		SHEET: 1 of 1

EATON CORPORATION - CONFIDENTIAL AND PROPRIETARY NOTICE TO PERSONS RECEIVING THIS DOCUMENT AND/OR TECHNICAL INFORMATION: THIS DOCUMENT, INCLUDING THE DRAWING AND INFORMATION CONTAINED THEREON, IS CONFIDENTIAL AND IS THE EXCLUSIVE PROPERTY OF EATON CORPORATION AND IS HEREBY ON LOAN AND SUBJECT TO RECALL BY EATON AT ANY TIME. BY TAKING POSSESSION OF THIS DOCUMENT, THE RECIPIENT ACKNOWLEDGES AND AGREES THAT THIS DOCUMENT CANNOT BE USED IN ANY MANNER ADVERSE TO THE INTERESTS OF EATON, AND THAT NO PORTION OF THIS DOCUMENT MAY BE COPIED OR OTHERWISE REPRODUCED WITHOUT THE PRIOR WRITTEN CONSENT OF EATON. IN THE CASE OF CONFLICTING CONTRACTUAL PROVISIONS, THIS NOTICE SHALL GOVERN THE STATUS OF THIS DOCUMENT. © 2008 Eaton Corporation - All Rights Reserved.