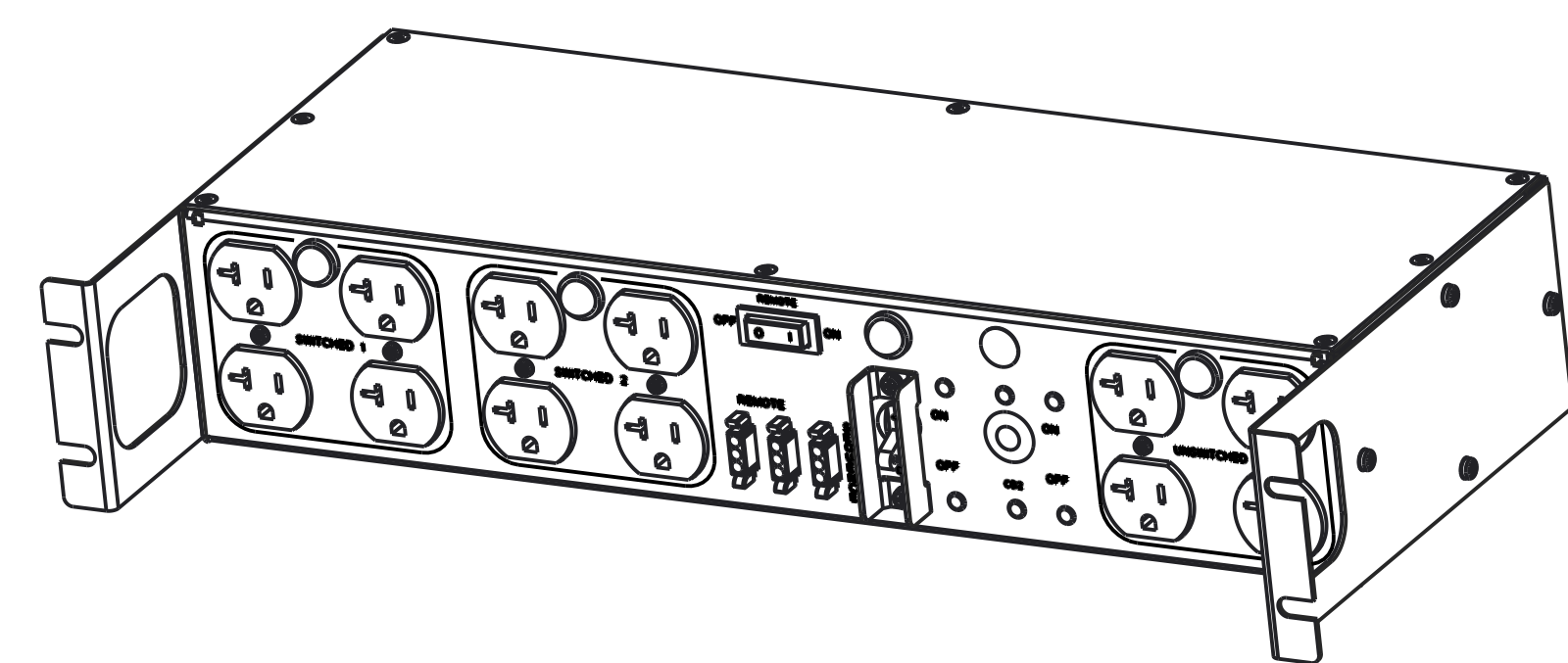
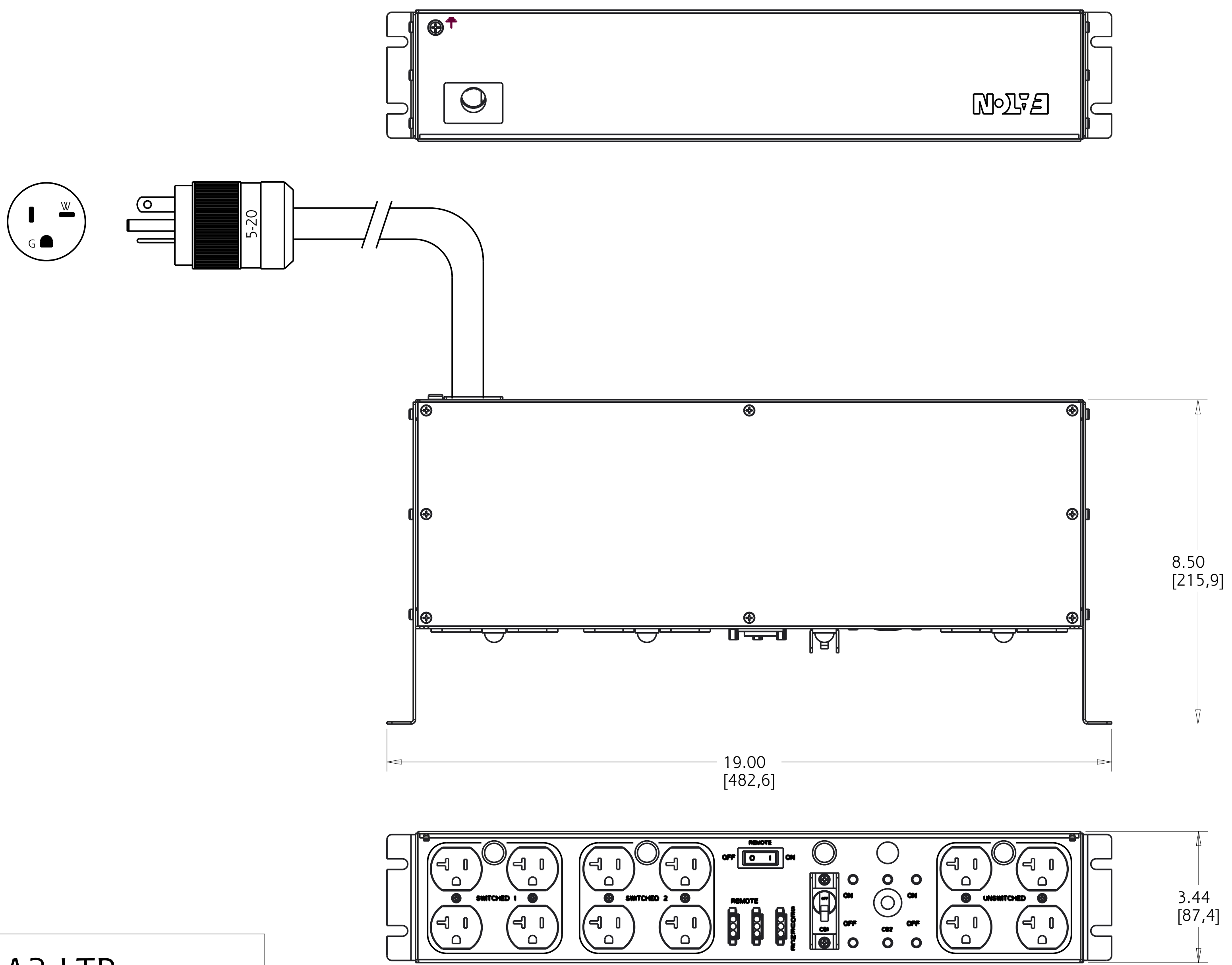
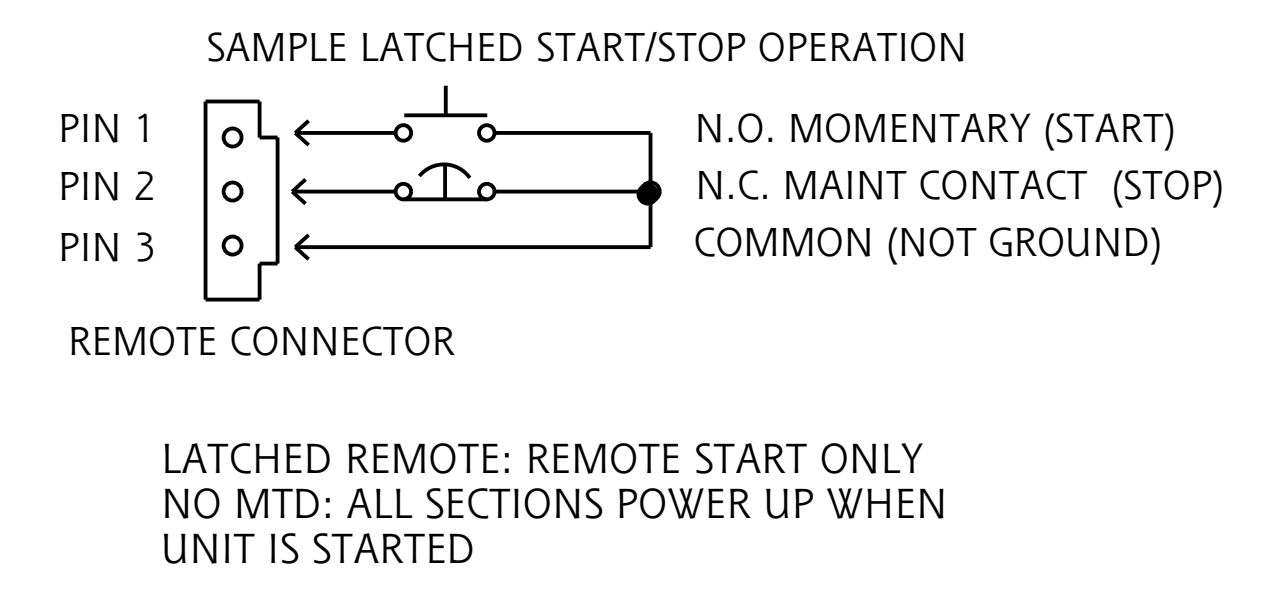


REV	ECO No.	REVISION	DR	CK	AP	DATE
02	159424	REVERSED ROCKER SW	J.O.			28 FEB 19



## PC125-A2-LTR REMOTE EPO

FUNCTIONALITY POWER CONTROLLER WITH LATCHING REMOTE	INPUT NEMA 5-20 PLUG 10FT 12AWG / 3C POWERCORD	OUTPUT (8) NEMA 5-20, SWITCHED (4) NEMA 5-20, UNSWITCHED	ENVIRONMENTAL 32° TO 113° F 0° TO 45° C
MECHANICAL 19.00" (482.6mm) WIDTH 3.44" (87.4mm) HEIGHT 8.50 (215.9mm) DEPTH BLACK CHASSIS	INPUT RATING 100-127V ~ W + N + PE 16A 50/60HZ	OUTPUT RATING 120-127V ~ ; 16A 16A MAX PER SECTION 16A MAX TOTAL	CERTIFICATIONS  REGULATORY MODEL ER222MCXG1B2LEG
CIRCUIT BREAKERS MAIN (1) 20A 1-POLE	FILTER AND SPIKE/SURGE EMI/RFI FILTER COMMON AND DIFFERENTIAL MODE	INDICATOR LIGHTS ONE GREEN FOR MAIN POWER; ONE GREEN FOR EACH SECTION, ON WHEN SECTION IS POWERED	ACCESSORIES INCLUDED SUB-HRDWARE-001 - PANEL MOUNT KIT SCREWS SPK030 - PANEL MOUNT KIT CAGE NUTS REMOTE02 - REMOTE CONNECTOR KIT (3)



METRIC	THIRD ANGLE PROJECTION	EATON CORPORATION, ELECTRICAL	<b>EATON</b>	SIZE D
SPECIFICATION DRAWING PC125-A2-LTR				
MODIFIED BY: J. OSBORNE	DATE: 17 JULY 18	UNLESS OTHERWISE SPECIFIED TOLERANCES ON DIMENSIONS ARE: ANGLES: ±10°    DECIMALS: 0.X: ±0.25    X: (FOR X < 3): ±1		SCALE: 0.500 DO NOT SCALE DRAWING OR CHANGE MANUALLY
ECO: 144244	STATE: RELEASE	DIMENSIONS ARE IN MILLIMETERS (INCHES) AND AFTER PLATING		
PRO-ENGINEER GENERATED	PART NAME: PC125-A2-LTR	REVISION: 02	SHEET: 1 of 1	