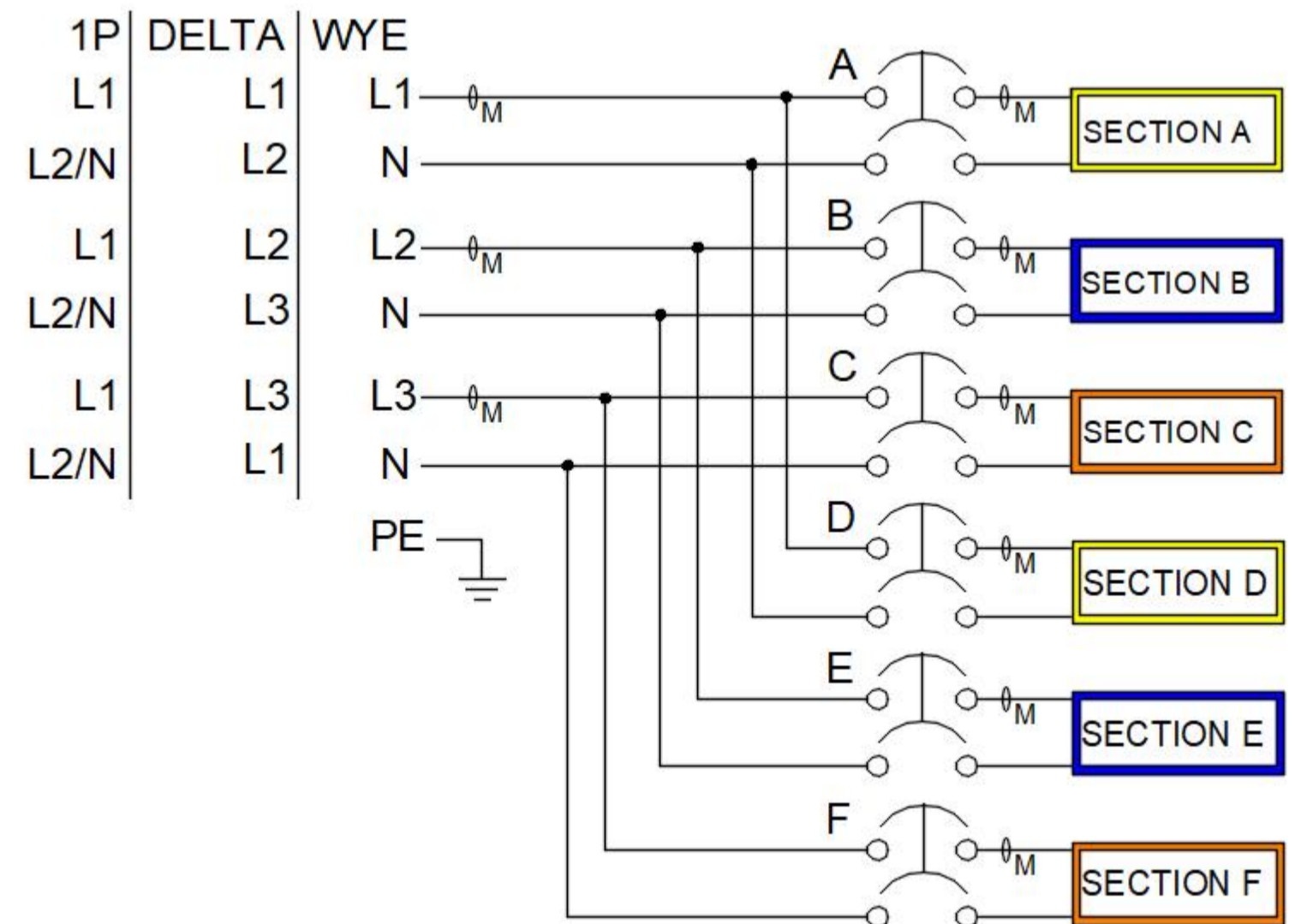


EVMIF163X		G4 Rack PDU METERED INPUT	
FUNCTIONALITY	INPUT	OUTPUT	ENVIRONMENTAL
CURRENT POWER AND ENERGY METERING FOR INPUT AND BRANCH	IEC 60309-2 63A 230V~ 10.0MM*2 x 3C POWERCORD (LSZH) CABLE LENGTH: 3.0M	(24) IEC 60320 C13 HIGH RETENTION / P-LOCK (18) EATON C39 - COMBO C13/C19 HIGH RETENTION / P-LOCK (C19 ONLY)	OPERATING TEMPERATURE 0° TO 60° C 32° TO 140° F
MECHANICAL	INPUT RATING	OUTPUT RATING	CERTIFICATIONS
1730mm (68.11") LENGTH 52mm (2.05") WIDTH 53mm (2.09") DEPTH ALUMINUM CHASSIS, BLACK	200-240V~ W+N+PE 63A 50/60Hz	200-240V~ 10A PER C13, 16A PER C39 16A MAX PER SECTION 63A MAX TOTAL	CE, UKCA, RCM, Cmm, Ukr, EAC
CIRCUIT BREAKERS	COMMUNICATION	ACCESSORIES	REGULATORY MODEL
(6) 16A 1-POLE	G4 NMC, DUAL GIGABIT ETHERNET WITH NETWORK CASCADING, POWER REDUNDANCY PORT, EMP PORT, 2xUSB-C, MENU PIXEL LCD, ADVANCED CYBERSECURITY UL 2900-1 and IEC 62443-4-2	SPARE PART ACCESSORY KIT SPK050 OPTIONAL ENVIRONMENTAL PROBE - EMPDT1H1C2 SPARE PART G4 NMC SPK055	EMIF-CQFB-G27K



REV.	MODIFICATION	DATE	DESIGNER	VERIF.
01	GLOBAL UPDATE	27.10.2023	RP	YS
00	FIRST RELEASE	20.09.2023	RP	YS

<b>EATON</b>		HEINEMANN PRODUCTS		ECHELLE / SCALE: 0.4		N° MAG: 9001-22357	
CH-1345 LE LIEU SWITZERLAND				DESSINE LE / DRAWN THE: 20.09.2023		PAR / BY: RP	
TOLERANCE GENERALE / GENERAL TOLERANCE: ± 0.3 ± 0°20'				VERIFIE PAR / VERIFIED BY: YS			
TRAITEMENT / FINISH: NA		MATERIE / MATERIAL: NA		NIVEAU DU CERTIFICAT DE SOUMISSION REQUIS / SAMPLES APPROVAL PROCESS REPORT: X			
DESIGNATION: PDU G4 MI 0U 309 63A 1P 24xC13.18xC39		9001-22357_EVMIF163X		DIMENSIONS AND TOLERANCES IN MILLIMETERS		01	
COTES A CONTROLER / INSPECTION DIMENSIONS: XX.X		COTES FONCTIONNELLES / FUNCTIONAL DIMENSIONS: XX.X		NUMERO DU PLAN / PLAN NUMBER		DRAWING REV.	

Ce document est propriété de Eaton Industries Manufacturing GmbH. Duplication interdite sans autorisation.  
This document is Eaton Industries Manufacturing GmbH property. Duplication forbidden without authorization.