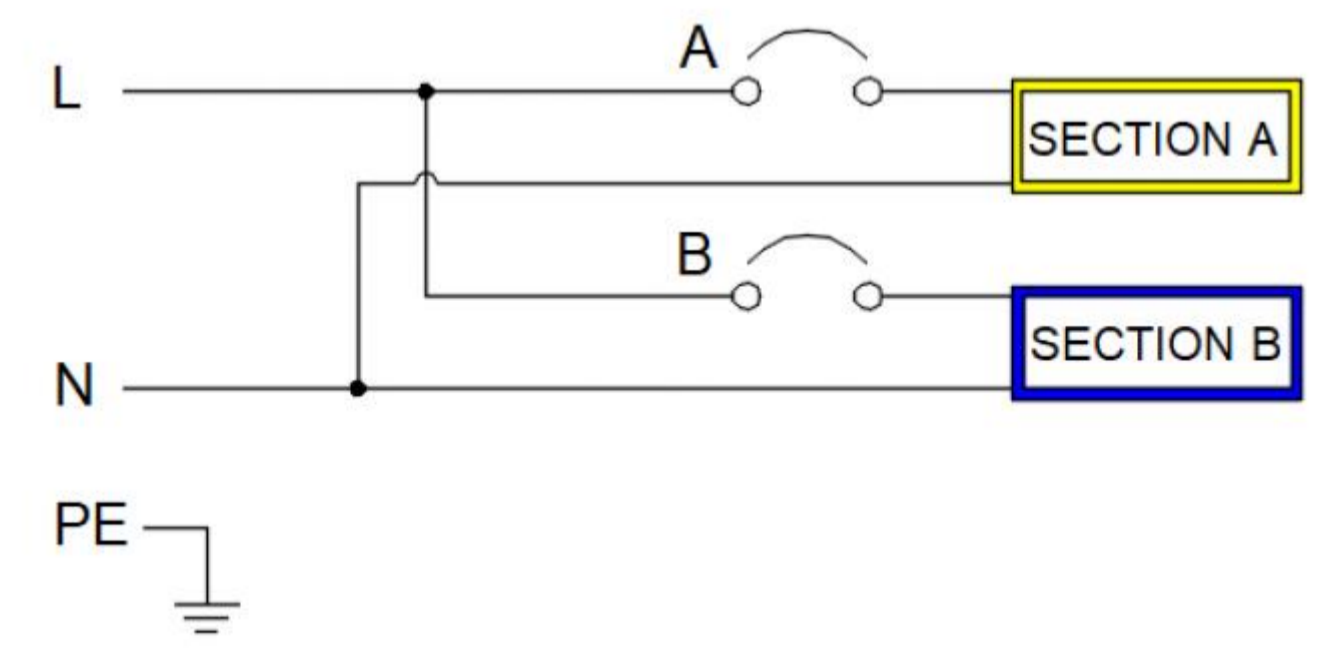
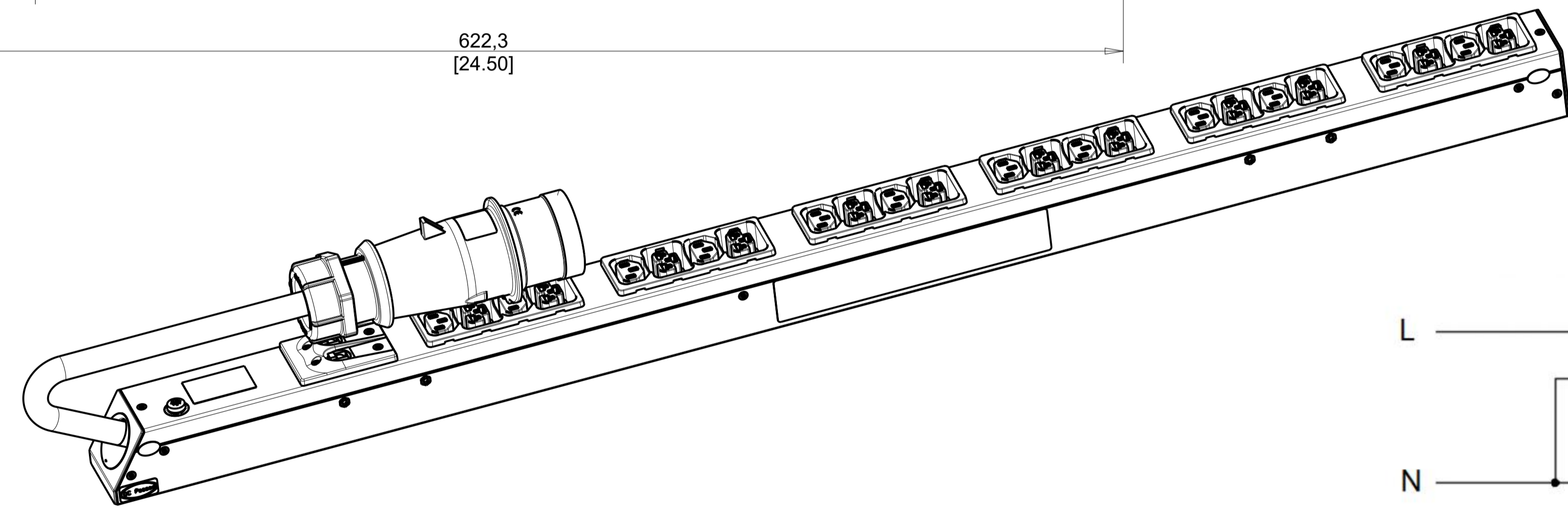
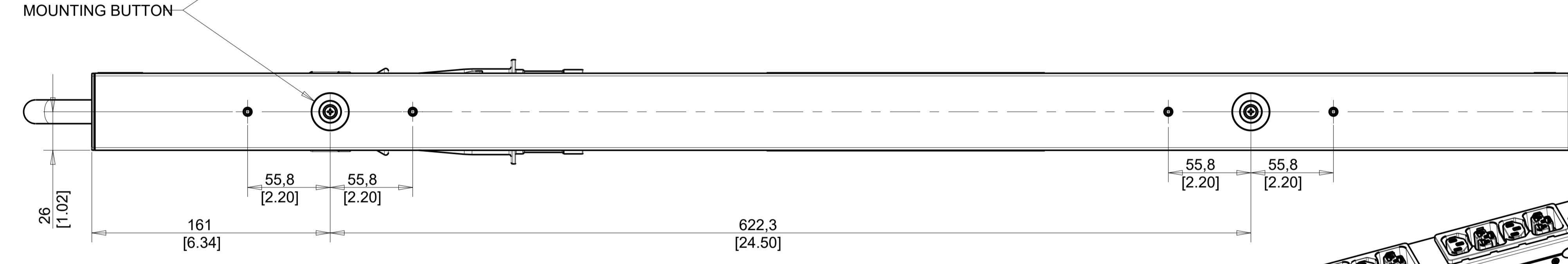
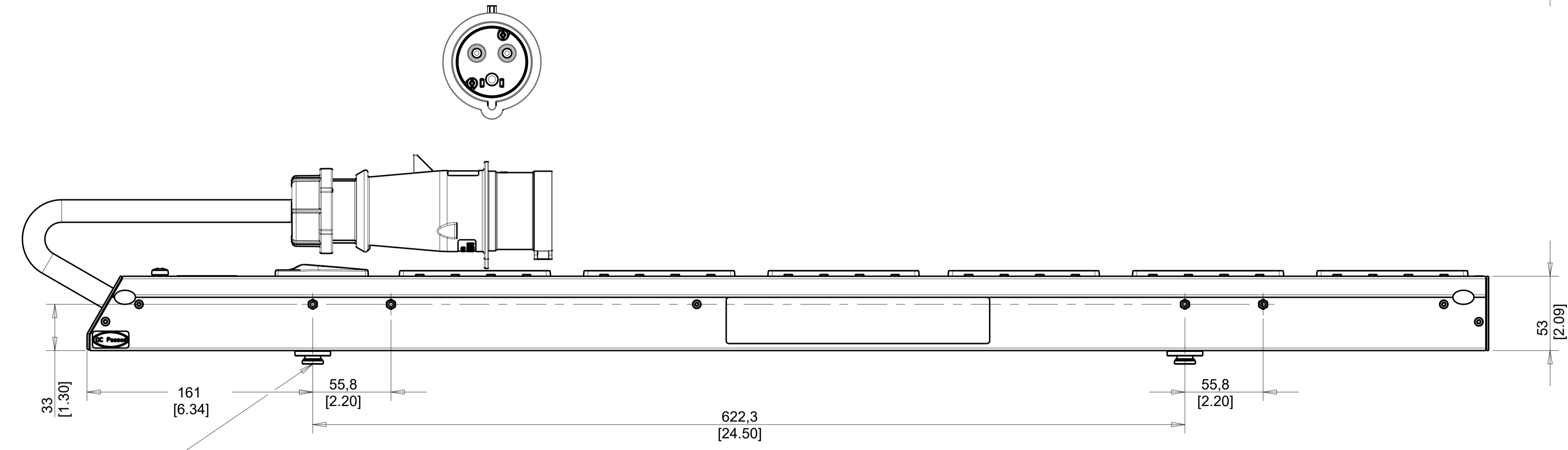
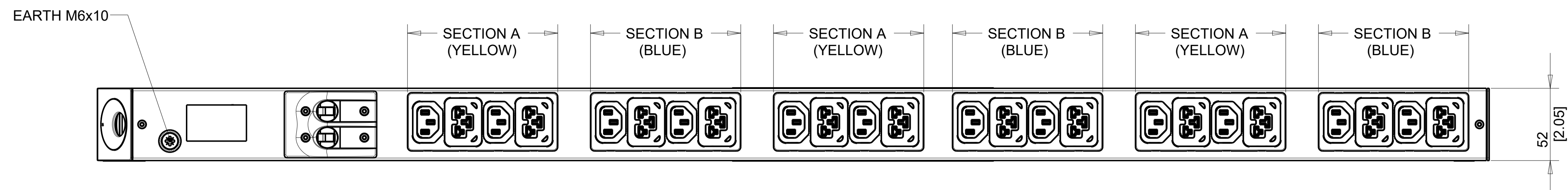
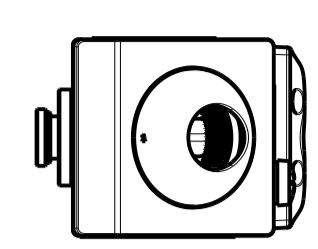


P O N M L K J I H G F E D C B A



EVBAF132A	G4 Rack PDU BASIC		
FUNCTIONALITY	INPUT	OUTPUT	ENVIRONMENTAL
NONE	IEC 60309-2 16A 230/400V 6MM ² x 3C POWERCORD (LSZH) CABLE LENGTH: 3.0 M	(12) IEC 60320 C13 HIGH RETENTION / P-LOCK (12) Eaton C39 - COMBO C13/C19 HIGH RETENTION / P-LOCK (C19 ONLY)	OPERATING TEMPERATURE 0° TO 60° C 32° TO 140° F
MECHANICAL	INPUT RATING	OUTPUT RATING	CERTIFICATIONS
1730mm (68.11") LENGTH 52mm (2.05") WIDTH 53mm (2.09") DEPTH ALUMINUM CHASSIS, BLACK	200-240V~ W+N+PE 32A 50/60Hz	200-240V~ 10A PER C13, 16A PER C39 16A MAX PER SECTION 32A MAX TOTAL	CE, UKCA, RCM, Cmim, Ukr, EAC
CIRCUIT BREAKERS	COMMUNICATION	ACCESSORIES	REGULATORY MODEL
(2)16A 1-POLE	NONE	SPARE PART ACCESSORY KIT SPK050	EBAF-CHFB-C31K

01	GLOBAL UPDATE	27.10.2023	RP	YS
00	FIRST RELEASE	16.10.2023	RP	YS
REV	MODIFICATION	DATE	DESIGNER	VERIF
EATON HEINEMANN PRODUCTS		ECHELLE / SCALE	N° MAG	
CH-1345 LE LIEU SWITZERLAND		1/2	9001-22356	
TRAITEMENT / FINISH NA		DESSEINÉ / DRAWN THE	16.10.2023	
MATERIE / MATERIAL NA		PAR / BY	RP	
TOLERANCE GENERALE / GENERAL TOLERANCE ± 0.3 ± 0'20"		VERIFIE PAR / VERIFIED BY	YS	
NIVEAU DU CERTIFICAT DE SOUMISSION REQUIS / SAMPLES APPROVAL PROCESS REPORT X		DIMENSIONS AND TOLERANCES IN MILLIMETERS		
DESIGNATION PDU G4 BA 0U 309 32A 1P 12XC13, 12XC39		9001-22356_EVBAF132A	01	
COTES A CONTROLER / INSPECTION DIMENSIONS	XX.X	COTES FONCTIONNELLES / FUNCTIONAL DIMENSIONS	XX.X	NUMERO DU PLAN / PLAN NUMBER
Ce document est propriété de Eaton Industries Manufacturing GmbH. Duplication interdite sans autorisation.		This document is Eaton Industries Manufacturing GmbH property. Duplication forbidden without authorization.		

P O N M L K J I H G F E D C B A