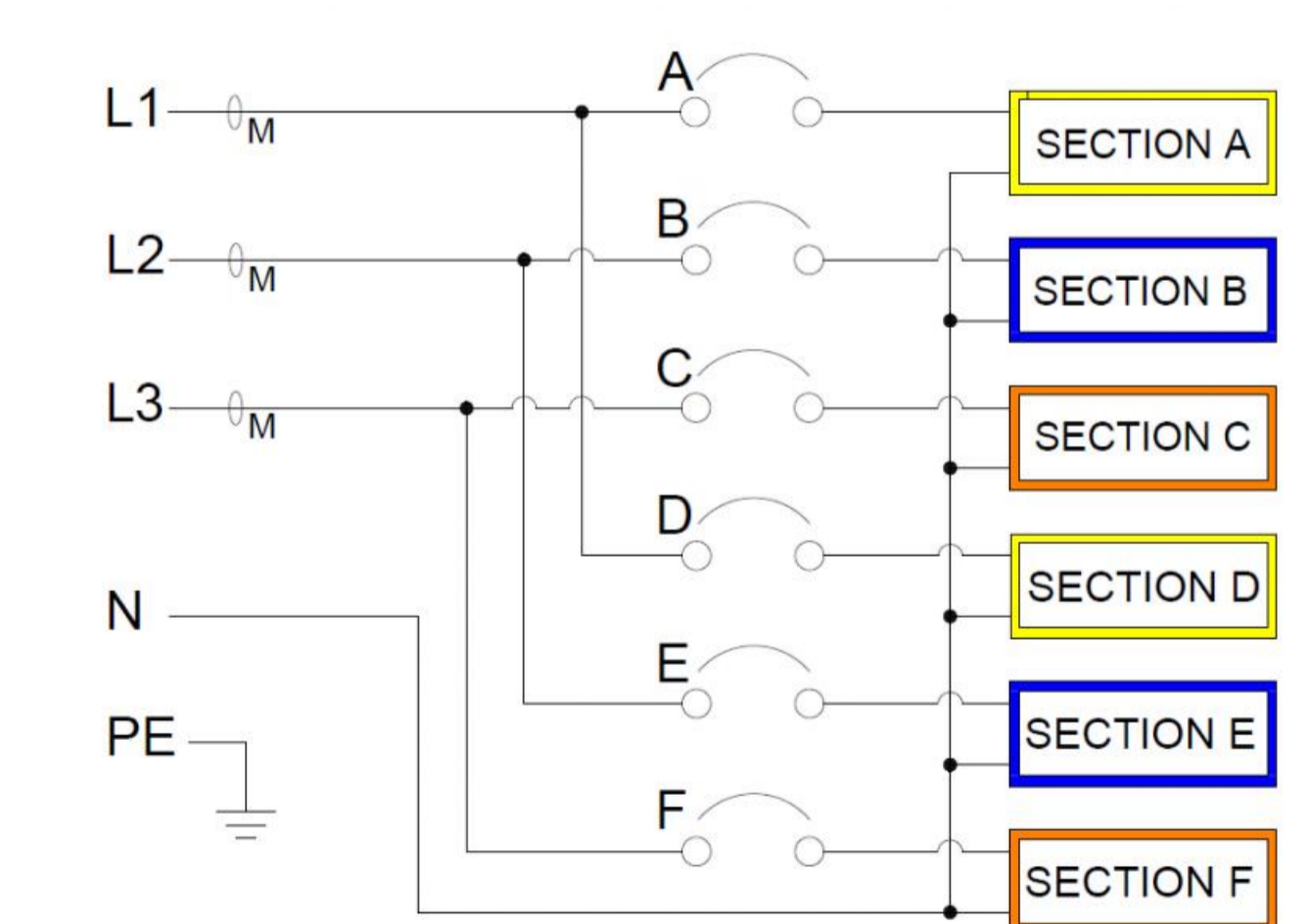


EVMIF332X		G4 Rack PDU METERED INPUT	
FUNCTIONALITY	INPUT	OUTPUT	ENVIRONMENTAL
CURRENT POWER AND ENERGY METERING FOR INPUT AND BRANCH	IEC 60309-2 32A 230/400V 6MM*2 x 5C POWERCORD (LSZH) CABLE LENGTH: 3.0M	(24) IEC 60320 C13 HIGH RETENTION / P-LOCK (18) EATON C39 - COMBO C13/C19 HIGH RETENTION / P-LOCK (C19 ONLY) ALTERNATING PHASES	OPERATING TEMPERATURE 0° TO 60° C 32° TO 140° F
MECHANICAL	INPUT RATING	OUTPUT RATING	CERTIFICATIONS
1730mm (68.11") LENGTH 52mm (2.05") WIDTH 53mm (2.09") DEPTH ALUMINUM CHASSIS, BLACK	200-240 / 346-415V~ WYE, 3W+N+PE 32A 50/60HZ	200-240V~ 10A PER C13;16A PER C19 16A MAX PER SECTION NOT TO EXCEED INPUT RATING	CE, UKCA, RCM, Cmm, Ukr, EAC
CIRCUIT BREAKERS	COMMUNICATION	ACCESSORIES	REGULATORY MODEL
(6) 16A 1-POLE	G4 NMC, DUAL GIGABIT ETHERNET WITH NETWORK CASCADING, POWER REDUNDANCY PORT, EMP PORT, 2xUSB-C, MENU PIXEL LCD, ADVANCED CYBERSECURITY UL 2900-1 and IEC 62443-4-2	SPARE PART ACCESSORY KIT SPK050 OPTIONAL ENVIRONMENTAL PROBE - EMPDT1H1C2 SPARE PART G4 NMC SPK055	EMIF-DHFB-G27K



03	GLOBAL UPDATE	26.10.2023	RP	YS
00	FIRST RELEASE	03.08.2023	RP	YS
REV.	MODIFICATION	DATE	DESS/DRAW	VERIF
EATON		HEINEMANN PRODUCTS		ECHELLE / SCALE
CH-1345 LE LIEU SWITZERLAND		DESSINE LE / DRAWED THE		0.4
TOLERANCE GENERALE / GENERAL TOLERANCE		± 0.3		± 0.20'
TRAITEMENT / FINISH		NA		
MATIERE / MATERIAL		NA		
NIVEAU DU CERTIFICAT DE SOUMISSION REQUIS / SAMPLES APPROVAL PROCESS REPORT		X		DIMENSIONS AND TOLERANCES IN MILLIMETERS
DESIGNATION		PDU G4 MI 0U 309 32A 3P 24xC13.18xC39 CE		9001-22351_EVMIF332X
COTES A CONTROLER / INSPECTION DIMENSIONS		XX.X		NUMERO DU PLAN / PLAN NUMBER
COTES FONCTIONNELLES / FUNCTIONAL DIMENSIONS		XX.X		DRAWING REV.
Ce document est propriété de Eaton Industries Manufacturing GmbH. Duplication interdite sans autorisation. This document is Eaton Industries Manufacturing GmbH property. Duplication forbidden without authorization.				