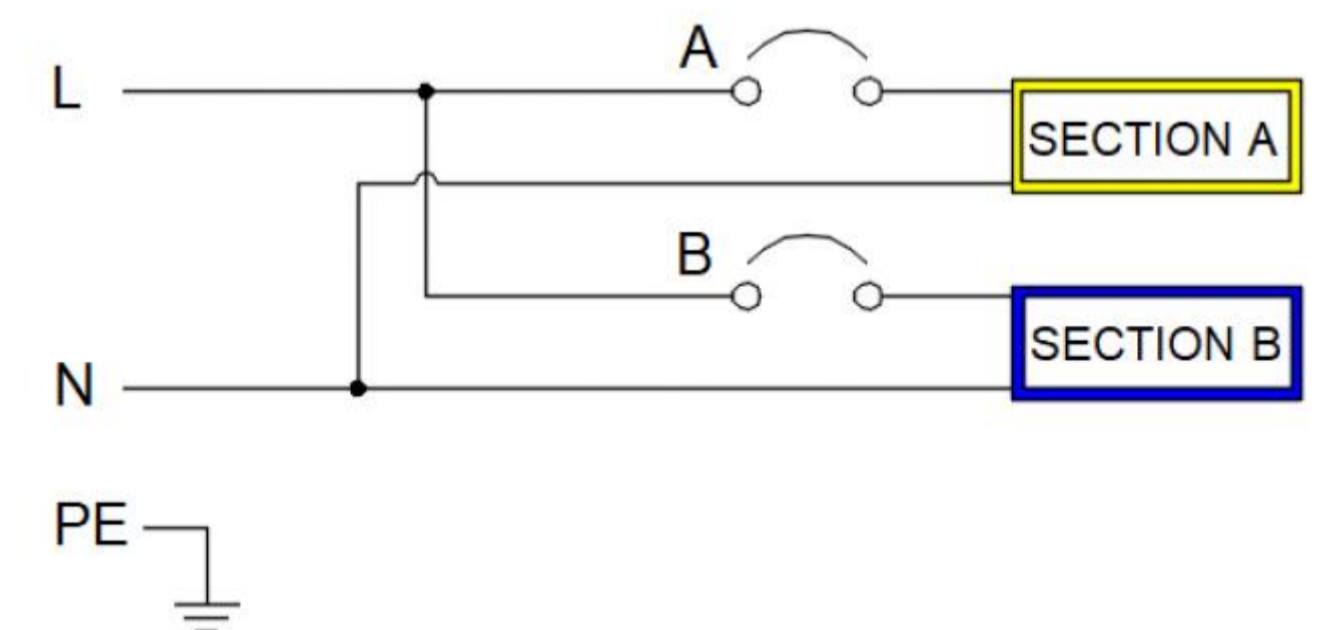
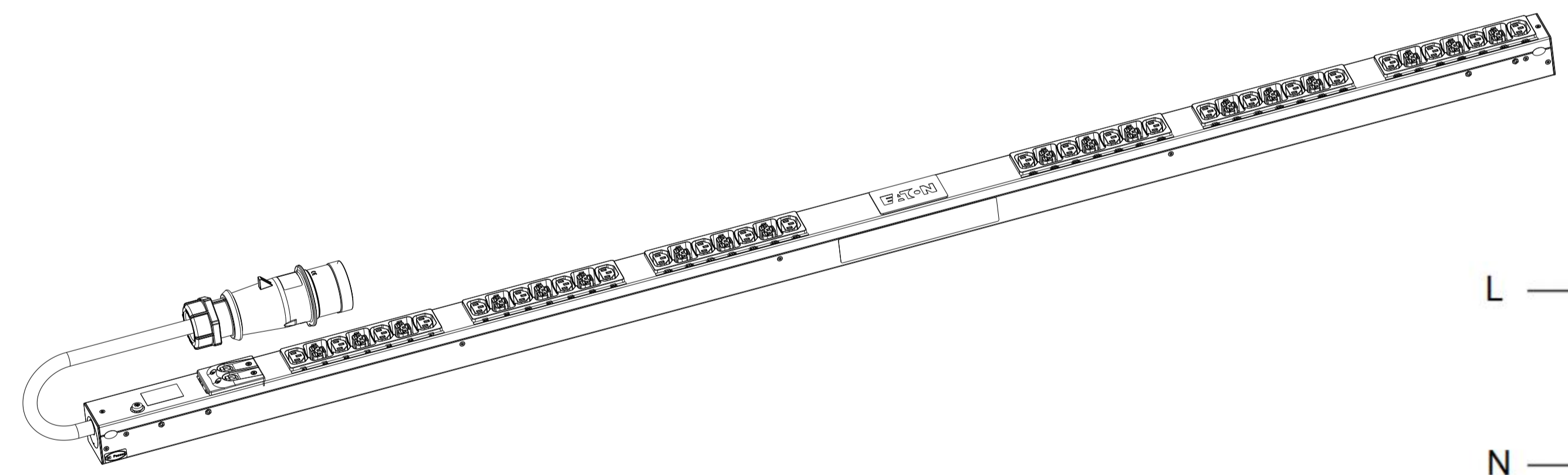
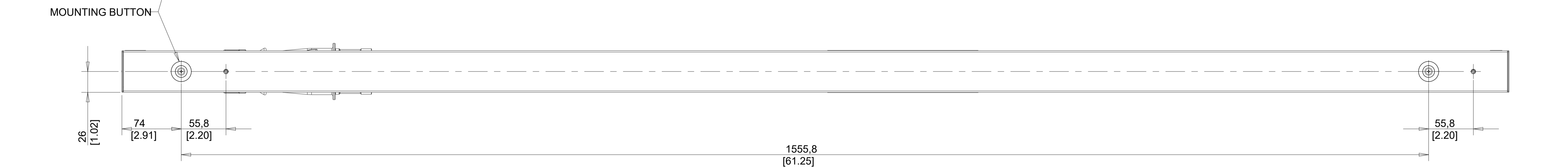
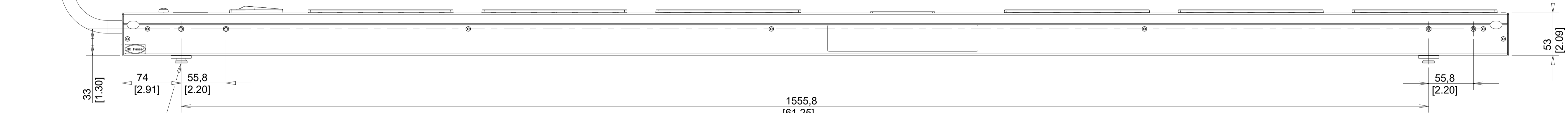
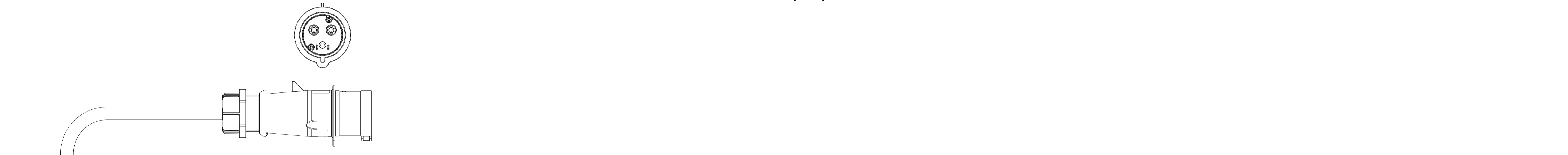
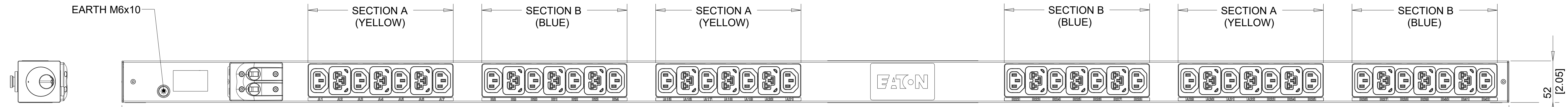


P O N M L K J I H G F E D C B A



EVBAF132X	G4 Rack PDU BASIC		
FUNCTIONALITY	INPUT	OUTPUT	ENVIRONMENTAL
NONE	IEC 60309-2 16A 230/400V 2.5MM ² x 5C POWERCORD (LSZH) CABLE LENGTH: 3.0 M	(24) IEC 60320 C13 HIGH RETENTION / P-LOCK (18) EATON C39 - COMBO C13/C19 HIGH RETENTION / P-LOCK (C19 ONLY)	OPERATING TEMPERATURE 0° TO 60° C 32° TO 140° F
MECHANICAL	INPUT RATING	OUTPUT RATING	CERTIFICATIONS
1730mm (68.11") LENGTH 52mm (2.05") WIDTH 53mm (2.09") DEPTH ALUMINUM CHASSIS, BLACK	200-240V~ W+N+PE 32A 50/60Hz	200-240V~ 10A PER C13, 16A PER C39 16A MAX PER SECTION 32A MAX TOTAL	CE, UKCA, RCM, Cmim, Ukr, EAC
CIRCUIT BREAKERS	COMMUNICATION	ACCESSORIES	REGULATORY MODEL
(2)16A 1-POLE	NONE	SPARE PART ACCESSORY KIT SPK050	EBAF-CHFB-C27K

01	GLOBAL UPDATE	26.10.2023	RP	YS
00	FIRST RELEASE	16.10.2023	RP	YS
REV.	MODIFICATION	DATE	DESS/DRAW	VERIF
EATON		HEINEMANN PRODUCTS		ECHELLE / SCALE
CH-1345 LE LIEU SWITZERLAND		DESSINE LE / DRAWED THE		0.4
TRAITEMENT / FINISH NA		PAR / BY		9001-22350
MATERIE / MATERIAL NA		VERIFIE PAR / VERIFIED BY		RP
NIVEAU DU CERTIFICAT DE SOUMISSION REQUIS / SAMPLES APPROVAL PROCESS REPORT X		DIMENSIONS AND TOLERANCES IN MILLIMETERS		
DESIGNATION		NUMERO DU PLAN		
PDU G4 BA 0U 309 32A 1P 24XC13,18XC39		9001-22350_EVBAF132X		01
COTES A CONTROLER		COTES FONCTIONNELLES		
INSPECTION DIMENSIONS XX.X		FUNCTIONAL DIMENSIONS XX.X		
Ce document est propriété de Eaton Industries Manufacturing GmbH. Duplication interdite sans autorisation. This document is Eaton Industries Manufacturing GmbH property. Duplication forbidden without authorization.				

P O N M L K J I H G F E D C B A