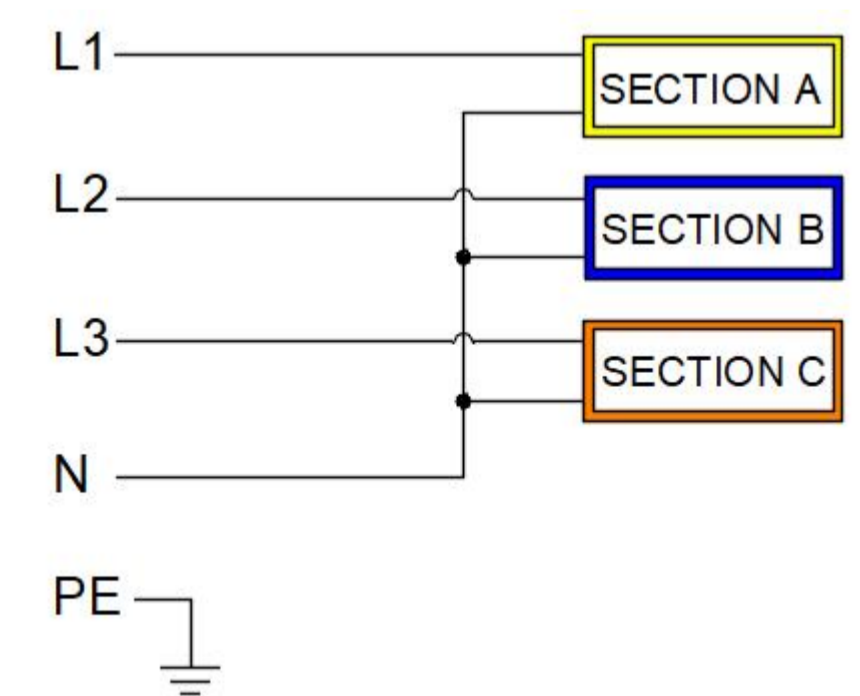
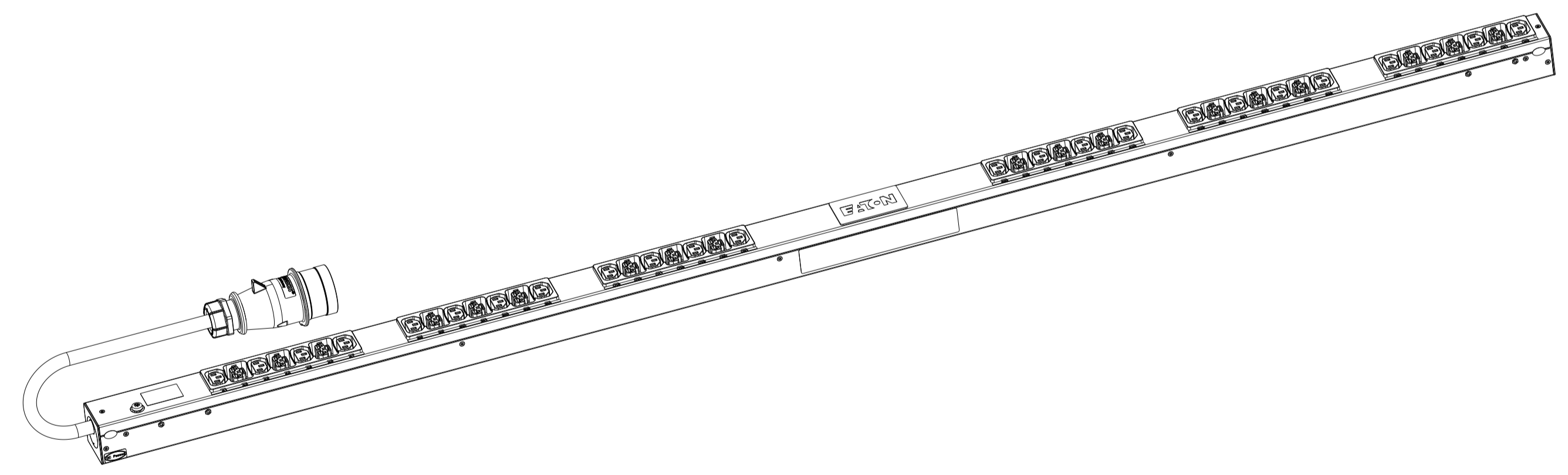
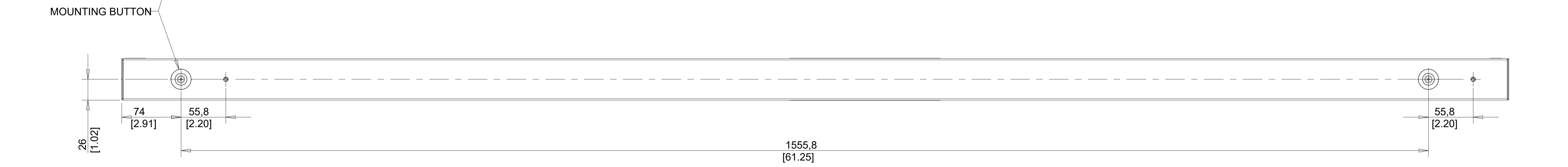
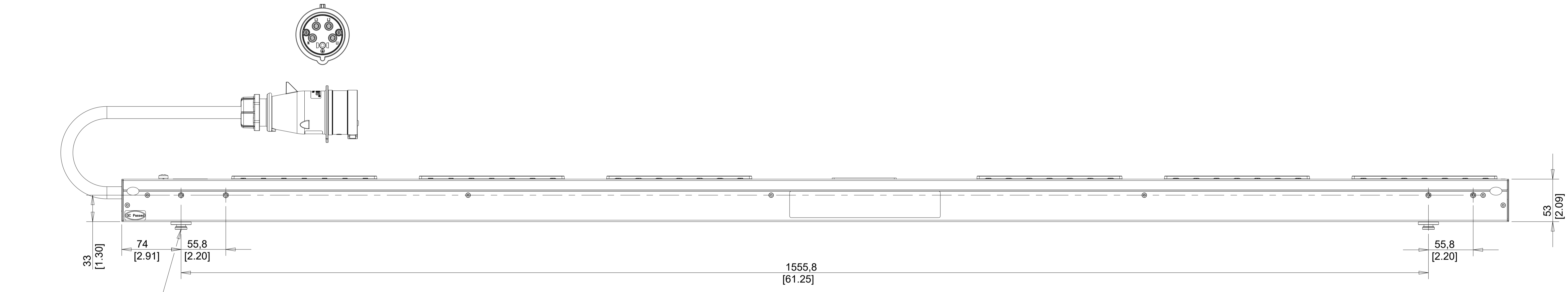
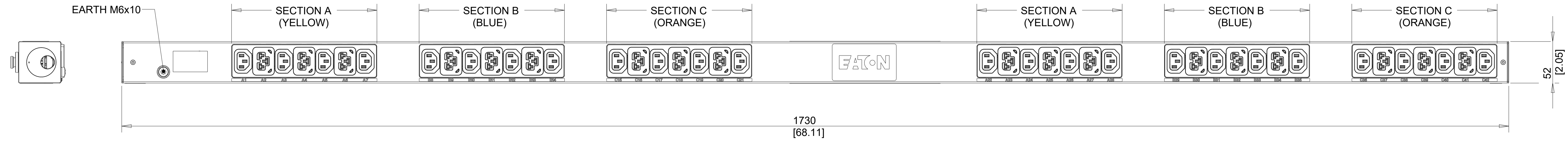


P O N M L K J I H G F E D C B A



<b>EVBAF316X</b>		<b>G4 Rack PDU BASIC</b>	
<b>FUNCTIONALITY</b>	<b>INPUT</b>	<b>OUTPUT</b>	<b>ENVIRONMENTAL</b>
NONE	IEC 60309-2 16A 230/400V 2.5MM <sup>2</sup> x 5C POWERCORD (LSZH) CABLE LENGTH: 3.0 M	(24) IEC 60320 C13 HIGH RETENTION / P-LOCK (18) EATON C39 - COMBO C13/C19 HIGH RETENTION / P-LOCK (C19 ONLY)	OPERATING TEMPERATURE 0° TO 60° C 32° TO 140° F
<b>MECHANICAL</b>	<b>INPUT RATING</b>	<b>OUTPUT RATING</b>	<b>CERTIFICATIONS</b>
1730mm (68.11") LENGTH 52mm (2.05") WIDTH 53mm (2.09") DEPTH ALUMINUM CHASSIS, BLACK	200-240 / 346-415V~ WYE,3W+N+PE 16A 50/60Hz	200-240V~ 10A PER C13, 16A PER C39 16A MAX PER SECTION NOT TO EXCEED INPUT RATING	CE, UKCA, RCM, Cmim, Ukr, EAC
<b>CIRCUIT BREAKERS</b>	<b>COMMUNICATION</b>	<b>ACCESSORIES</b>	<b>REGULATORY MODEL</b>
NONE	NONE	SPARE PART ACCESSORY KIT SPK050	EBAF-DAFA-A27K

01 GLOBAL UPDATE	26.10.2023	RP	YS
00 FIRST RELEASE	28.09.2023	RP	YS
REV. MODIFICATION	DATE	DESS/DRAW	VERIF
<b>EATON</b>		HEINEMANN PRODUCTS	ECHELLE / SCALE 0.4
CH-1345 LE LIEU SWITZERLAND		DESSINE LE / DRAWED THE RP	N° MAG 9001-22347
TOLERANCE GENERALE / GENERAL TOLERANCE	± 0.3	± 0°20'	VERIFIE PAR / VERIFIED BY YS
TRAITEMENT / FINISH	NA		
MATIERE / MATERIAL	NA		
NIVEAU DU CERTIFICAT DE SOUMISSION REQUIS / SAMPLES APPROVAL PROCESS REPORT		X	DIMENSIONS AND TOLERANCES IN MILLIMETERS
DESIGNATION	PDU G4 BA 0U 309 16A 3P 24XC13,18XC39	9001-22347_EVBAF316X	01
COTES A CONTROLER INSPECTION DIMENSIONS	XX.X	COTES FONCTIONNELLES FUNCTIONAL DIMENSIONS	XX.X
Ce document est propriété de Eaton Industries Manufacturing GmbH. Duplication interdite sans autorisation. This document is Eaton Industries Manufacturing GmbH property. Duplication forbidden without authorization.		NUMERO DU PLAN PLAN NUMBER	DRAWING REV.

P O N M L K J I H G F E D C B A