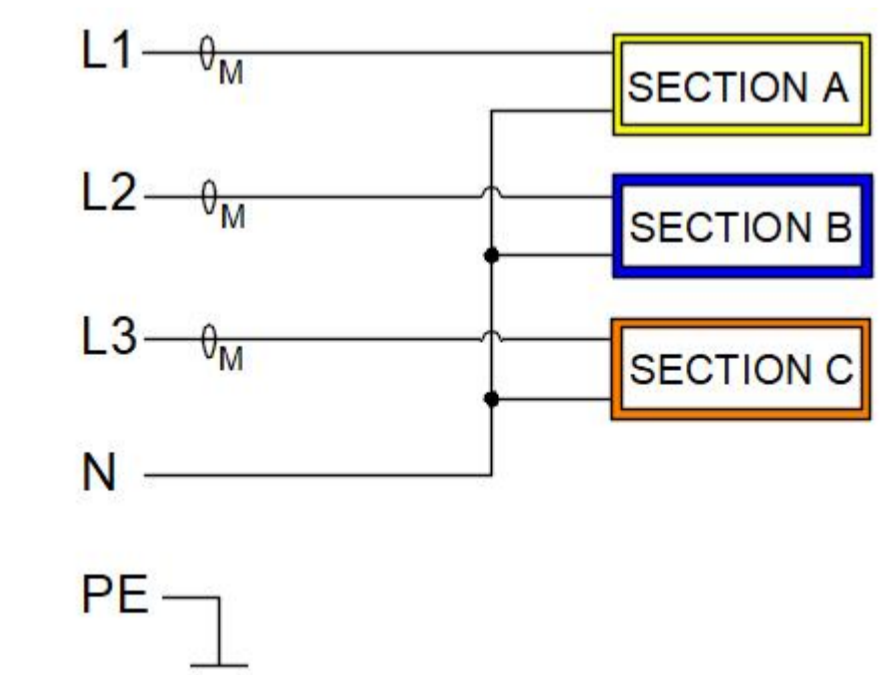


<b>EVMAF316X</b>	<b>G4 Rack PDU MANAGED</b>		
<b>FUNCTIONALITY</b>	<b>INPUT</b>	<b>OUTPUT</b>	<b>ENVIRONMENTAL</b>
CURRENT, POWER, AND ENERGY METERING FOR INPUT, BRANCH AND OUTLET; OUTLET SWITCHING	IEC 60309-2 16A 230/400V 2.5MM <sup>2</sup> x 5C POWERCORD (LSZH) CABLE LENGTH: 3.0 M	(24) IEC 60320 C13 HIGH RETENTION / P-LOCK (18) EATON C39 - COMBO C13/C19 HIGH RETENTION / P-LOCK (C19 ONLY) ALTERNATING PHASES	OPERATING TEMPERATURE 0° TO 60° C 32° TO 140° F
<b>MECHANICAL</b>	<b>INPUT RATING</b>	<b>OUTPUT RATING</b>	<b>CERTIFICATIONS</b>
1730mm (68.11") LENGTH 52mm (2.05") WIDTH 53mm (2.09") DEPTH ALUMINUM CHASSIS, BLACK	200-240 / 346-415V~ WYE, 3W+N+PE 16A 50/60Hz	200-240V~ 10A PER C13, 16A PER C39 16A MAX PER SECTION NOT TO EXCEED INPUT RATING	CE, UKCA, RCM, Cmm, Ukr, EAC
<b>CIRCUIT BREAKERS</b>	<b>COMMUNICATION</b>	<b>ACCESSORIES</b>	<b>REGULATORY MODEL</b>
NONE	G4 NMC, DUAL GIGABIT ETHERNET WITH NETWORK CASCADING, POWER REDUNDANCY PORT, EMP PORT, 2xUSB-C, MENU PIXEL LCD, ADVANCED CYBERSECURITY UL 2900-1 and IEC 62443-4-2	SPARE PART ACCESSORY KIT SPK050 OPTIONAL ENVIRONMENTAL PROBE - EMPDT1H1C2 SPARE PART G4 NMC SPK055	EMAF-DAFA-A27K



01 GLOBAL UPDATE		26.10.2023	RP	YS
00 FIRST RELEASE		03.08.2023	RP	YS
REV. MODIFICATION	DATE	DESS/DRAW	VERIF	
<b>EATON</b>		HEINEMANN PRODUCTS		ECHELLE / SCALE 0.4
CH-1345 LE LIEU SWITZERLAND		DESSINE LE / DRAWED THE RP		N° MAG 9001-22346
TRAITEMENT / FINISH NA		TOLERANCE GENERALE / GENERAL TOLERANCE ± 0.3 ± 0°20'		VERIFIE PAR / VERIFIED BY YS
MATERIE / MATERIAL NA		NIVEAU DU CERTIFICAT DE SOUMISSION REQUIS / SAMPLES APPROVAL PROCESS REPORT X		DIMENSIONS AND TOLERANCES IN MILLIMETERS
DESIGNATION PDU G4 MA 0U 309 16A 3P 24xC13,18xC39		9001-22346_EVMAF316X		01
COTES A CONTROLER INSPECTION DIMENSIONS XX.X	COTES FONCTIONNELLES FUNCTIONAL DIMENSIONS XX.X	NUMERO DU PLAN PLAN NUMBER		DRAWING REV.