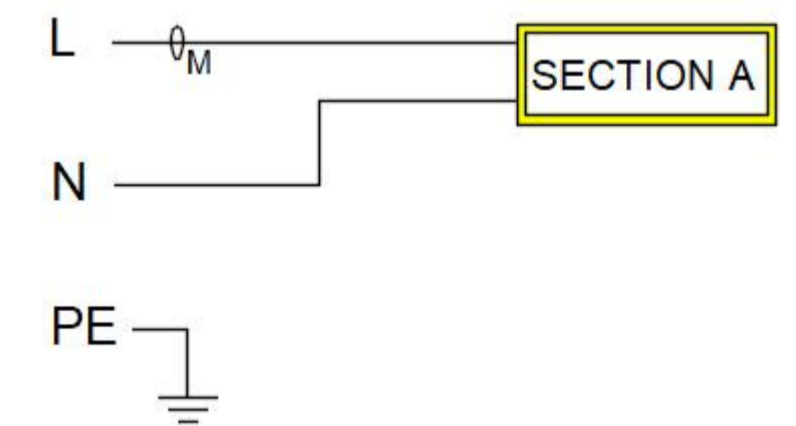
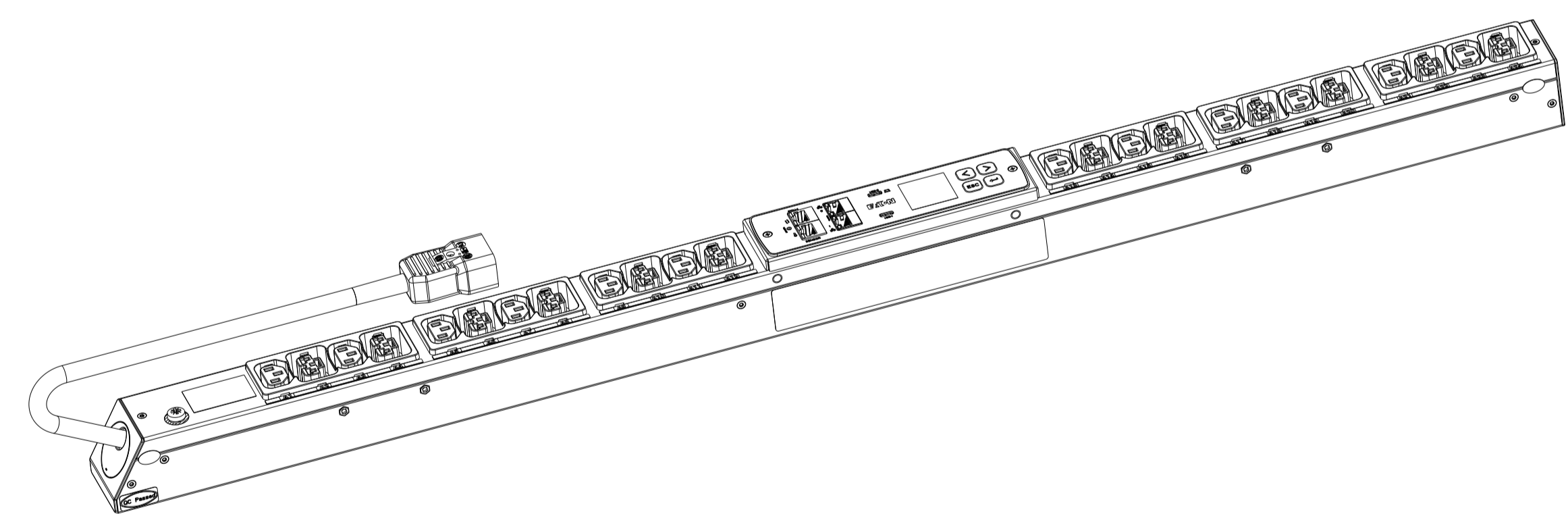
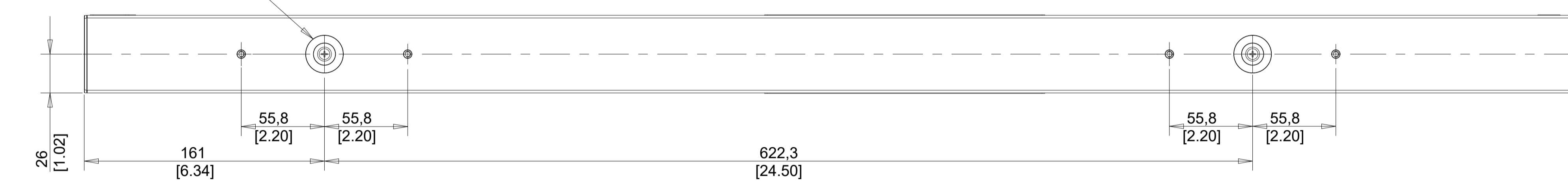
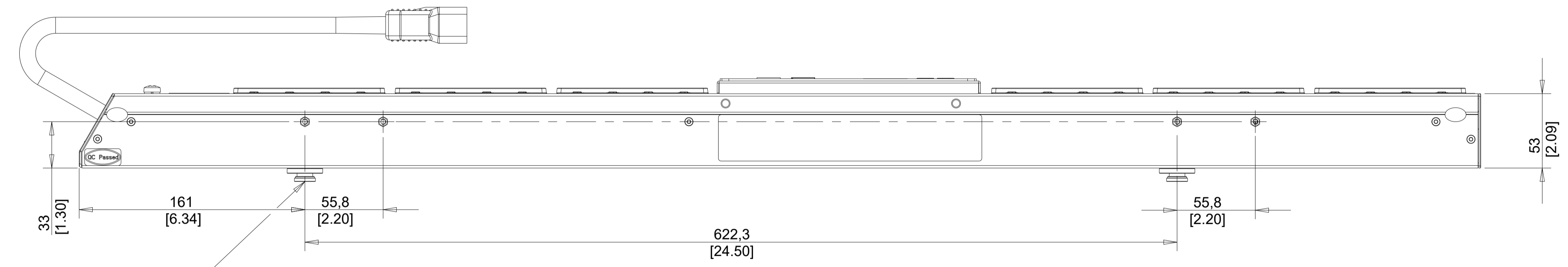
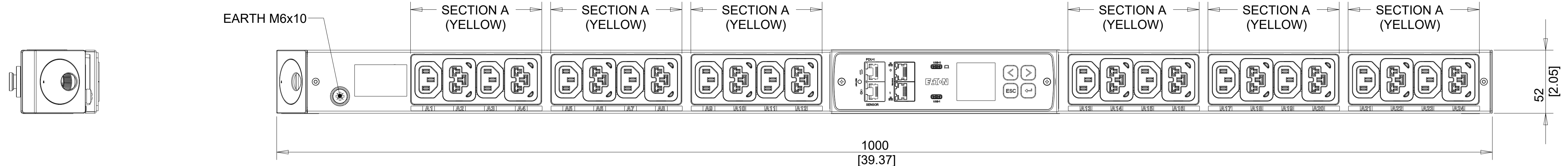


P O N M L K J I H G F E D C B A



EVMIFC20A		G4 Rack PDU METERED INPUT	
FUNCTIONALITY	INPUT	OUTPUT	ENVIRONMENTAL
CURRENT POWER AND ENERGY METERING FOR INPUT AND BRANCH	IEC 60309 C20 16A 100/240V 1.5MM ² HO5 POWERCORD CABLE LENGTH: 3.0 M	(12) IEC 60320 C13 HIGH RETENTION / P-LOCK (12) EATON C39 - COMBO C13/C19 HIGH RETENTION / P-LOCK (C19 ONLY)	0° TO 60° C 32° TO 140° F
MECHANICAL	INPUT RATING	OUTPUT RATING	CERTIFICATIONS
1000mm (39.37") LENGTH 52mm (2.05") WIDTH 53mm (2.09") DEPTH ALUMINUM CHASSIS, BLACK	100-240V~ W+N+PE OR 2W+PE 16A 50/60HZ	100-240V~ 10A PER C13;16A PER C39 16A MAX PER SECTION 16A MAX TOTAL	cTUVus,CE, UKCA, RCM
CIRCUIT BREAKERS	COMMUNICATION	ACCESSORIES	REGULATORY MODEL
NONE	G4 NMC, DUAL GIGABIT ETHERNET WITH NETWORK CASCADING, POWER REDUNDANCY PORT, EMP PORT, 2xUSB-C, MENU PIXEL LCD, ADVANCED CYBERSECURITY	SPARE PART ACCESSORY KIT SPK050 OPTIONAL ENVIRONMENTAL PROBE - EMPDT1H1C2 SPARE PART G4 NMC SPK055	EMIF-JXFA-A31K

TOLERANCE GENERALE / GENERAL TOLERANCE ± 0.3 ± 0'20"		VERIFIE PAR / VERIFIED BY RP	
TRAITEMENT / FINISH NA		ECHELLE / SCALE 1/2	
MATIERE / MATERIAL NA		N° MAG 9001-22340	
NIVEAU DU CERTIFICAT DE SOUMISSION REQUIS / SAMPLES APPROVAL PROCESS REPORT X		DIMENSIONS AND TOLERANCES IN MILLIMETERS	
DESIGNATION PDU G4 MI 0U C20PIug 12xC13,12xC39		NUMERO DU PLAN PLAN NUMBER 9001-22340_EVMIFC20A 03	
COTES A CONTROLER INSPECTION DIMENSIONS XX.X		COTES FONCTIONNELLES FUNCTIONAL DIMENSIONS XX.X	
Ce document est propriété de Eaton Industries Manufacturing GmbH. Duplication interdite sans autorisation. This document is Eaton Industries Manufacturing GmbH property. Duplication forbidden without authorization.			

P O N M L K J I H G F E D C B A