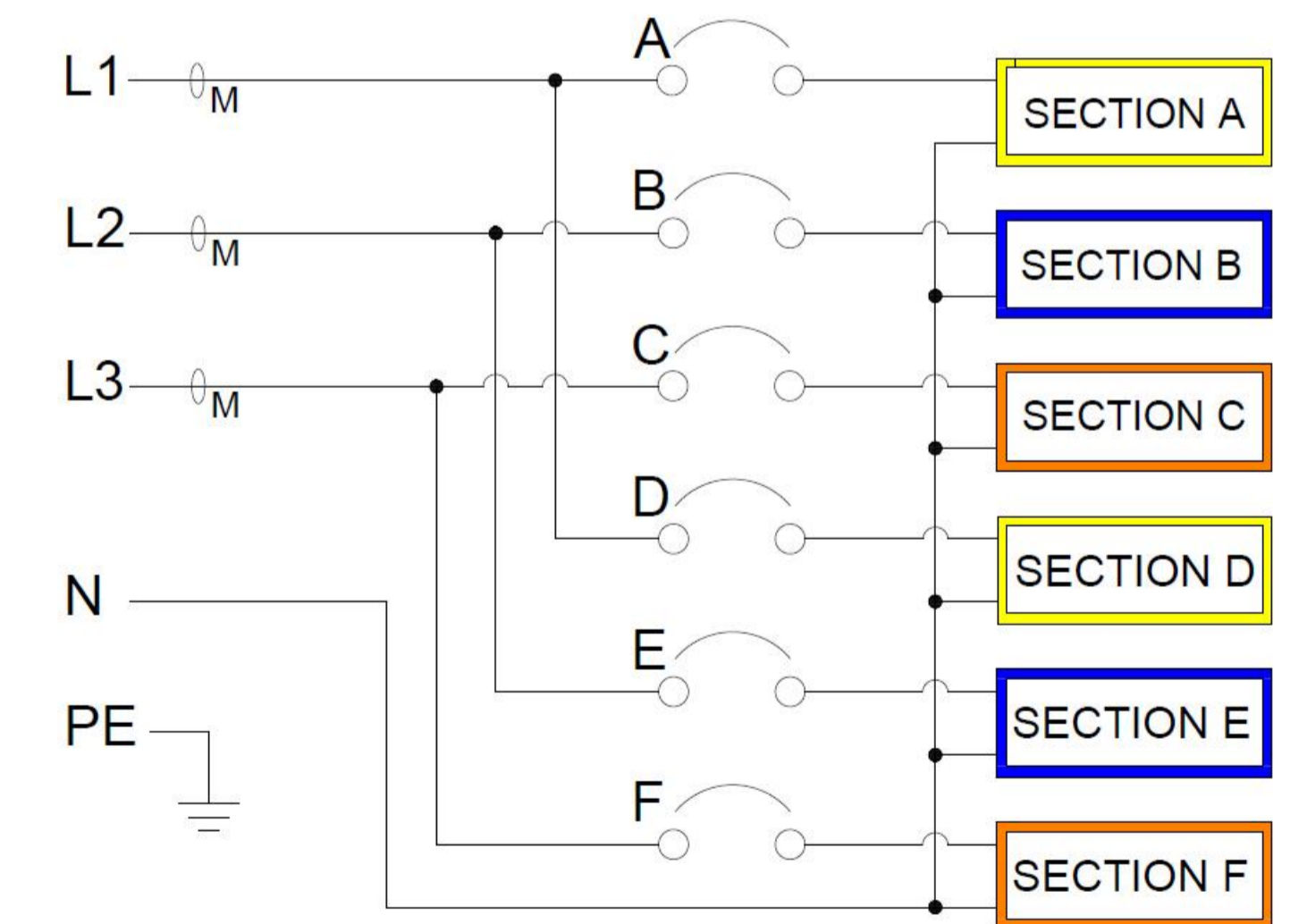


EVMAF332A	G4 Rack PDU MANAGED		
FUNCTIONALITY	INPUT	OUTPUT	ENVIRONMENTAL
CURRENT, POWER, AND ENERGY METERING FOR INPUT, BRANCH AND OUTLET; OUTLET SWITCHING	IEC 60309-2 32A 230/400V 6MM ² x 5C POWERCORD (LSZH) CABLE LENGTH: 3.0M	(12) IEC 60320 C13 HIGH RETENTION / P-LOCK (12) EATON C39 - COMBO C13/C19 HIGH RETENTION / P-LOCK (C19 ONLY) ALTERNATING PHASES	OPERATING TEMPERATURE 0° TO 60° C 32° TO 140° F
MECHANICAL	INPUT RATING	OUTPUT RATING	CERTIFICATIONS
1730mm (68.11") LENGTH 52mm (2.05") WIDTH 53mm (2.09") DEPTH ALUMINUM CHASSIS, BLACK	200-240 / 346-415V~ WYE, 3W+N+PE 32A 50/60HZ	200-240V~ 10A PER C13, 16A PER C39 16A MAX PER SECTION NOT TO EXCEED INPUT RATING	CE, UKCA, RCM, Cmm, Ukr, EAC
CIRCUIT BREAKERS	COMMUNICATION	ACCESSORIES	REGULATORY MODEL
(6) 16A 1-POLE	G4 NMC, DUAL GIGABIT ETHERNET WITH NETWORK CASCADING, POWER REDUNDANCY PORT, EMP PORT, 2xUSB-C, MENU PIXEL LCD, ADVANCED CYBERSECURITY UL 2900-1 and IEC 62443-4-2	SPARE PART ACCESSORY KIT SPK050 OPTIONAL ENVIRONMENTAL PROBE - EMPDT1H1C2 SPARE PART G4 NMC SPK055	EMAF-CHFB-C37K



03	GLOBAL UPDATE	26.10.2023	RP	YS
00	FIRST RELEASE	06.09.2023	RP	YS
REV.	MODIFICATION	DATE	DESSIN/DRAW	VERIF
		ECHELLE / SCALE	N° MAG	
		0.4	9001-22329	
		DESSINE LE / DRAWED THE	06.09.2023	
		PAR / BY	RP	
		VERIFIE PAR / VERIFIED BY	YS	
TOLERANCE GENERALE / GENERAL TOLERANCE		± 0.3	± 0°'20"	
TRAITEMENT / FINISH		NA		
MATIERE / MATERIAL		NA		
NIVEAU DU CERTIFICAT DE SOUMISSION REQUIS / SAMPLES APPROVAL PROCESS REPORT		X	DIMENSIONS AND TOLERANCES IN MILLIMETERS	
DESIGNATION		PDU G4 MA 0U 309 32A 3P 12xC13,12XC39	9001-22329_EVMAF332A	03
COTES A CONTROLER / INSPECTION DIMENSIONS		XX.X	COTES FONCTIONNELLES / FUNCTIONAL DIMENSIONS	XX.X
		NUMERO DU PLAN / PLAN NUMBER		DRAWING REV.
Ce document est propriété de Eaton Industries Manufacturing GmbH. Duplication interdite sans autorisation. This document is Eaton Industries Manufacturing GmbH property. Duplication forbidden without authorization.				