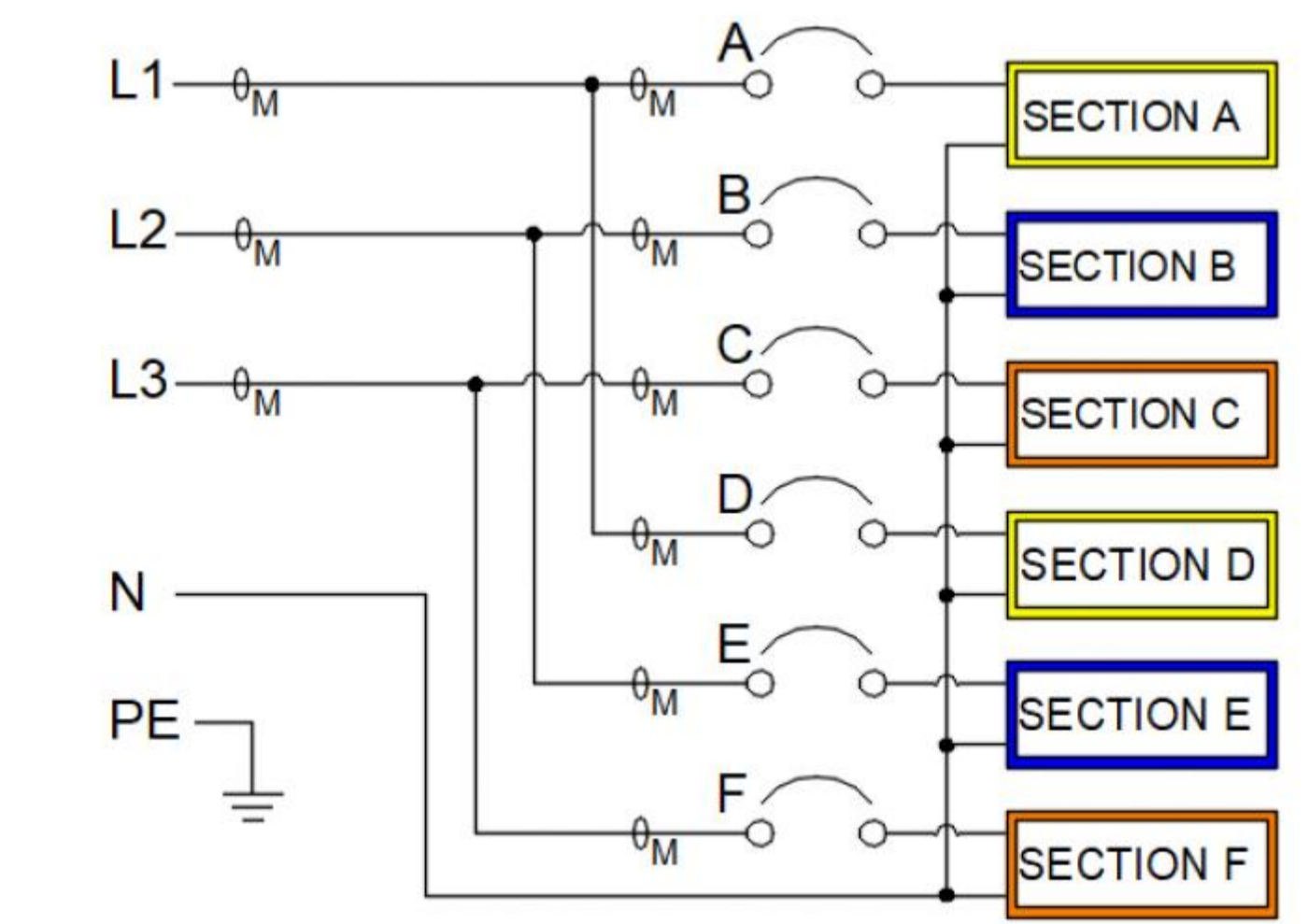


<b>EVMIF332A</b>		<b>G4 Rack PDU METERED INPUT</b>	
<b>FUNCTIONALITY</b>	<b>INPUT</b>	<b>OUTPUT</b>	<b>ENVIRONMENTAL</b>
CURRENT POWER AND ENERGY METERING FOR INPUT AND BRANCH	IEC 60309-2 32A 230/400V 6MM <sup>2</sup> x 5C POWERCORD (LSZH) CABLE LENGTH: 3.0M	(12) IEC 60320 C13 HIGH RETENTION / P-LOCK (12) EATON C39 - COMBO C13/C19 HIGH RETENTION / P-LOCK (C19 ONLY) ALTERNATING PHASES	OPERATING TEMPERATURE 0° TO 60° C 32° TO 140° F
<b>MECHANICAL</b>	<b>INPUT RATING</b>	<b>OUTPUT RATING</b>	<b>CERTIFICATIONS</b>
1730mm (68.11") LENGTH 52mm (2.05") WIDTH 53mm (2.09") DEPTH ALUMINUM CHASSIS, BLACK	200-240 / 346-415V~ WYE, 3W+N+PE 32A 50/60HZ	200-240V~ 10A PER C13, 16A PER C39 16A MAX PER SECTION NOT TO EXCEED INPUT RATING	CE, UKCA, RCM, Cmm, Ukr, EAC
<b>CIRCUIT BREAKERS</b>	<b>COMMUNICATION</b>	<b>ACCESSORIES</b>	<b>REGULATORY MODEL</b>
(6) 16A 1-POLE	G4 NMC, DUAL GIGABIT ETHERNET WITH NETWORK CASCADING, POWER REDUNDANCY PORT, EMP PORT, 2xUSB-C, MENU PIXEL LCD, ADVANCED CYBERSECURITY UL 2900-1 and IEC 62443-4-2	SPARE PART ACCESSORY KIT SPK050 OPTIONAL ENVIRONMENTAL PROBE - EMPDT1H1C2 SPARE PART G4 NMC SPK055	EMIF-CHFB-C37K



03 GLOBAL UPDATE	26.10.2023	RP	YS
00 FIRST RELEASE	19.10.2023	RP	YS
REV. MODIFICATION	DATE	DESSIN/DRAW	VERIF
EATON HEINEMANN PRODUCTS		ECHELLE / SCALE	N° MAG
CH-1345 LE LIEU SWITZERLAND		0.4	9001-22328
DESSINE LE / DRAWN THE		19.10.2023	
PAR / BY		RP	
VERIFIE PAR / VERIFIED BY		YS	
TOLERANCE GENERALE / GENERAL TOLERANCE	± 0.3	± 0°20'	
TRAITEMENT / FINISH	NA		
MATIERE / MATERIAL	NA		
NIVEAU DU CERTIFICAT DE SOUMISSION REQUIS / SAMPLES APPROVAL PROCESS REPORT		X	DIMENSIONS AND TOLERANCES IN MILLIMETERS
DESIGNATION	PDU G4 MI 0U 309 32A 3P 12xC13.12xC39	9001-22328_EVMIF332A	00
COTES A CONTROLER / INSPECTION DIMENSIONS	XX.X	COTES FONCTIONNELLES / FUNCTIONAL DIMENSIONS	XX.X
NUMERO DU PLAN / PLAN NUMBER		DRAWING REV.	

Ce document est propriété de Eaton Industries Manufacturing GmbH. Duplication interdite sans autorisation.  
This document is Eaton Industries Manufacturing GmbH property. Duplication forbidden without authorization.