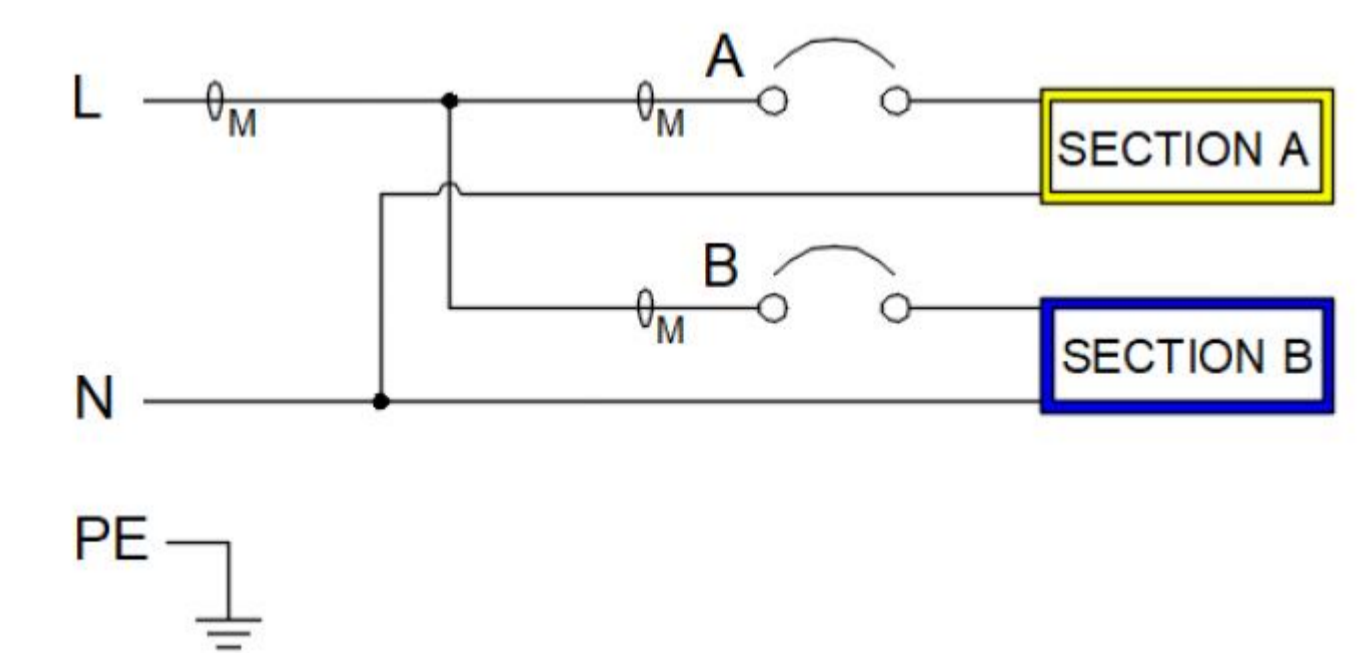


EVMIF132A		G4 Rack PDU METERED INPUT	
FUNCTIONALITY	INPUT	OUTPUT	ENVIRONMENTAL
CURRENT AND ENERGY METERING AND RANC	IEC 60309-2 32A 230V~ 6.0MM^2 x 3C POWERCORD (LSZH) CABLE LENGTH: 3.0M	(12) IEC 60320 C13 HIGH RETENTION / P-LOCK (12) EATON C39 - COMBO C13/C19 HIGH RETENTION / P-LOCK (C19 ONLY)	OPERATING TEMPERATURE 0° TO 60° C 32° TO 140° F
MECHANICAL	INPUT RATING	OUTPUT RATING	CERTIFICATIONS
1730mm (68.11") LENGTH 52mm (2.05") WIDTH 53mm (2.09") DEPTH ALUMINUM CHASSIS, BLACK	200-240V~ W+N+PE 32A 50/60Hz	200-240V~ 10A PER C13, 16A PER C39 16A MAX PER SECTION 32A MAX TOTAL	CE, UKCA, RCM, Cmm, Ukr, EAC
CIRCUIT BREAKERS	COMMUNICATION	ACCESSORIES	REGULATORY MODEL
(2) 16A 1-POLE	G4 NMC, DUAL GIGABIT ETHERNET WITH NETWORK CASCADING, POWER REDUNDANCY PORT, EMP PORT, 2xUSB-C, MENU PIXEL LCD, ADVANCED CYBERSECURITY UL 2900-1 and IEC 62443-4-2	SPARE PART ACCESSORY KIT SPK050 OPTIONAL ENVIRONMENTAL PROBE - EMPDT1H1C2 SPARE PART G4 NMC SPK055	EMIF-CHFB-C37K



03	GLOBAL UPDATE	26.10.2023	RP	YS
00	FIRST RELEASE	18.10.2023	RP	YS
REV.	MODIFICATION	DATE	DESS/DRAW	VERIF
EATON HEINEMANN PRODUCTS		ECHELLE / SCALE	N° MAG	
CH-1345 LE LIEU SWITZERLAND		0.4	9001-22324	
TRAITEMENT / FINISH NA		DESSINE LE / DRAWN THE	18.10.2023	
MATERIE / MATERIAL NA		PAR / BY	RP	
TOLERANCE GENERALE / GENERAL TOLERANCE ± 0.3 ± 0°20'		VERIFIE PAR / VERIFIED BY	YS	
NIVEAU DU CERTIFICAT DE SOUMISSION REQUIS / SAMPLES APPROVAL PROCESS REPORT X		DIMENSIONS AND TOLERANCES IN MILLIMETERS		
DESIGNATION PDU G4 MI 0U 309 63A 1P 24xC13.18xC39		9001-22324_EVMIF132A	03	
COTES A CONTROLER / INSPECTION DIMENSIONS	XX.X	COTES FONCTIONNELLES / FUNCTIONAL DIMENSIONS	XX.X	NUMERO DU PLAN / PLAN NUMBER
Ce document est propriété de Eaton Industries Manufacturing GmbH. Duplication interdite sans autorisation. This document is Eaton Industries Manufacturing GmbH property. Duplication forbidden without authorization.				