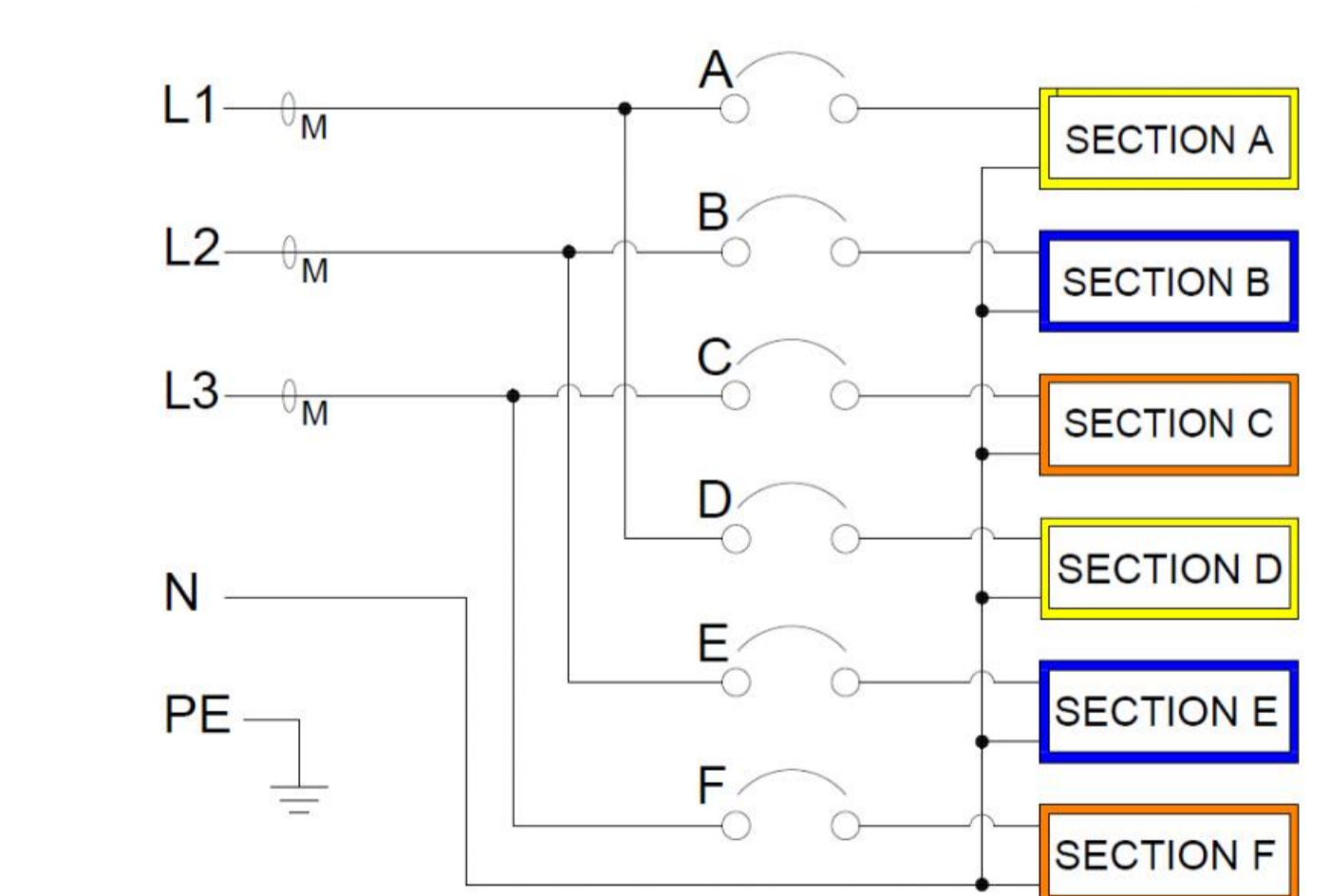


EVMAF332X		G4 Rack PDU MANAGED	
FUNCTIONALITY	INPUT	OUTPUT	ENVIRONMENTAL
CURRENT, POWER, AND ENERGY METERING FOR INPUT, BRANCH AND OUTLET; OUTLET SWITCHING	IEC 60309-2 32A 230/400V 6MM <sup>2</sup> x 5C POWERCORD (LSZH) CABLE LENGTH: 3.0M	(24) IEC 60320 C13 HIGH RETENTION / P-LOCK (18) EATON C39 - COMBO C13/C19 HIGH RETENTION / P-LOCK (C19 ONLY) ALTERNATING PHASES	OPERATING TEMPERATURE 0° TO 60° C 32° TO 140° F
MECHANICAL	INPUT RATING	OUTPUT RATING	CERTIFICATIONS
1730mm (68.11") LENGTH 52mm (2.05") WIDTH 53mm (2.09") DEPTH ALUMINUM CHASSIS, BLACK	200-240 / 346-415V~ WYE, 3W+N+PE 32A 50/60HZ	200-240V~ 10A PER C13; 16A PER C19 16A MAX PER SECTION NOT TO EXCEED INPUT RATING	CE, UKCA, RCM, Cmm, Ukr, EAC
CIRCUIT BREAKERS	COMMUNICATION	ACCESSORIES	REGULATORY MODEL
(6) 16A 1-POLE	G4 NMC, DUAL GIGABIT ETHERNET WITH NETWORK CASCADING, POWER REDUNDANCY PORT, EMP PORT, 2xUSB-C, MENU PIXEL LCD, ADVANCED CYBERSECURITY UL 2900-1 and IEC 62443-4-2	SPARE PART ACCESSORY KIT SPK050 OPTIONAL ENVIRONMENTAL PROBE - EMPDT1H1C2 SPARE PART G4 NMC SPK055	EMAF-DHFB-G27K



REV.	MODIFICATION	DATE	DESIGNER	VERIF.	ECHELLE / SCALE	N° MAG
00	FIRST RELEASE	03.08.2023	RP	YS	0.4	9001-22310
DESIGNATION		PDU G4 MA 0U 309 32A 3P 24xC13,18xC39		DESSINE LE / DRAWED THE		03.08.2023
COTES A CONTROLER		XX.X	COTES FONCTIONNELLES		XX.X	NUMERO DU PLAN
INSPECTION DIMENSIONS				VERIFIE PAR / VERIFIED BY		YS
Ce document est propriété de Eaton Industries Manufacturing GmbH. Duplication interdite sans autorisation. This document is Eaton Industries Manufacturing GmbH property. Duplication forbidden without authorization.						