

Eaton Rack Power Module (RPM)



The RPM delivers up to 36 kW of power to loads of various voltages, power cords and layouts. The 3U RPM can be deployed in the same rack with the UPS and IT equipment; there's no need for a dedicated infrastructure rack. The resulting architecture has fewer cables to manage, fewer distribution points to monitor, and greater flexibility for IT personnel to make changes without an electrician.

Features

- Provides plug-and-play primary distribution of power from three-phase input source to secondary power distribution devices
- Serves data center loads with various voltages, power cord configurations and layouts
- Distributes three-phase power to 12 poles, grouped into two sets of six poles, with choice of output receptacle types
- "Power equalizer" LED display gives quick visual indication of each circuit's load, reducing possibility of overloads and breakers tripped off line
- Load information available from the front of the rack, no need to check individual power strips in the rear of the cabinet (hot isle)
- Branch circuit monitoring option allows easy load monitoring over the network
- Installs in only 3U of space in EIA 19" rack or enclosure (or wall-mounted)
- Enables customer installation and changes without the services of an electrician

Top models

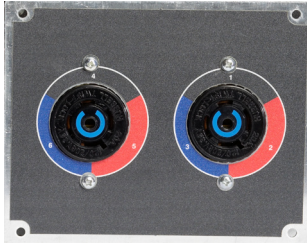
Need an RPM quickly? Choose one of the following models for fast shipping.

Part number	Input cable	Receptacles		Metering	TVSS
		Number 1	Number 2		
Y03113011100000	BladeUPS 208V 15'	(2) L21-20R	(2) L21-20R	Local Power Meter	No
Y03113022100000	BladeUPS 208V 15'	(2) L21-30R	(2) L21-30R	Local Power Meter	No
Y03113055100000	BladeUPS 208V 15'	(3) L6-30R	(3) L6-30R	Local Power Meter	No
Y03113047100000	BladeUPS 208V 15'	(3) L6-20R	(6) 5-20R	Local Power Meter	No
Y03113017100000	BladeUPS 208V 15'	(2) L21-20R	(6) 5-20R	Local Power Meter	No
Y031130FF100000	BladeUPS 208V 15'	(2) L15-30R	(2) L15-30R	Local Power Meter	No



Powering Business Worldwide

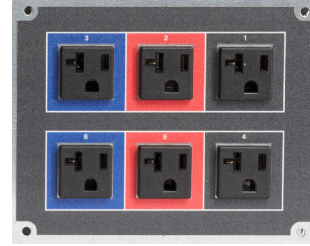
OUTPUT RECEPTACLE PLATES



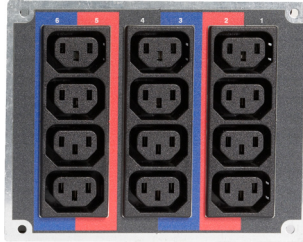
L21-20R*, L21-30R,
L15-20R, L15-30R



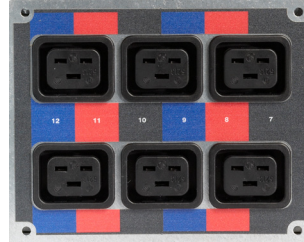
L6-15R, L6-20R*, L6-30R,
L14-20R, L14-30R



5-15R, 5-20R*



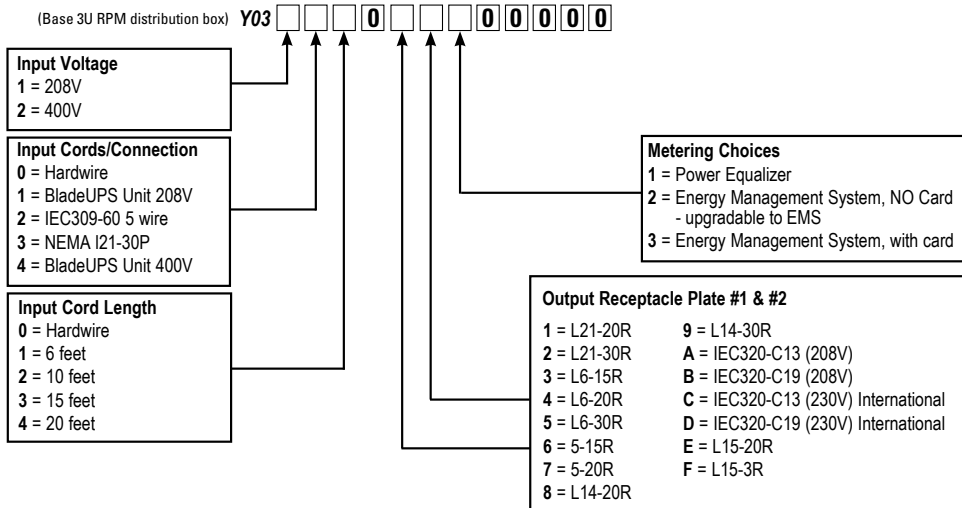
IEC320-C13 (208V)*,
IEC320-C13 (230V)



IEC320-C19 (208V)*,
IEC320-C19 (230V)

* - pictured

EATON RACK POWER MODULE CONFIGURATOR



UNITED STATES
8609 Six Forks Road
Raleigh, NC 27615 U.S.A.
Toll Free: 1.800.356.5794

Eaton.com/powerquality

CANADA
Ontario: 416.798.0112
Toll free: 1.800.461.9166

LATIN AMERICA
Aruba: 001 866 898 8812
Argentina (South Cone): +5411 4124 4000
Bahamas: 1 800 389 0368
Brazil: +55 113616 8500
Colombia: 01 800 518 1490

Costa Rica: 0 800 012 1716
Dominican Republic: 1 888 751 4862
Ecuador: from Andinatel: 1 999 170
(code after 800 is WSC 5649)
El Salvador: 800 6772
Mexico: + 52 (55) 9000-5252 or 01 800
08 EATON (32866)
Miami: 1 866 248 2224
Guatemala: 1 800 624 0099
Jamaica: 800 534 2102
Nicaragua: 001 800 220 1992

Panama: 00 800 226 6524
Peru: 0 800 54 514
Puerto Rico: 1 877 740 1707
Trinidad & Tobago: 1 800 206 0981
Venezuela: 0 800 100 8474

Eaton is a trademark of Eaton Corporation.

All other trademarks are property of their respective owners.