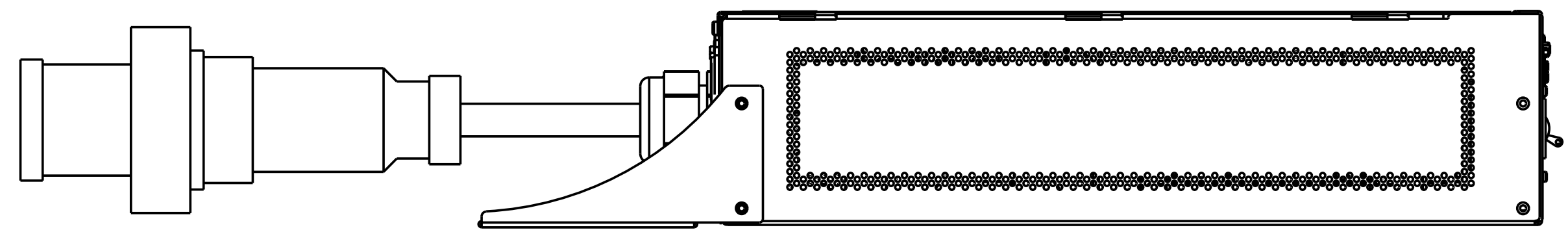
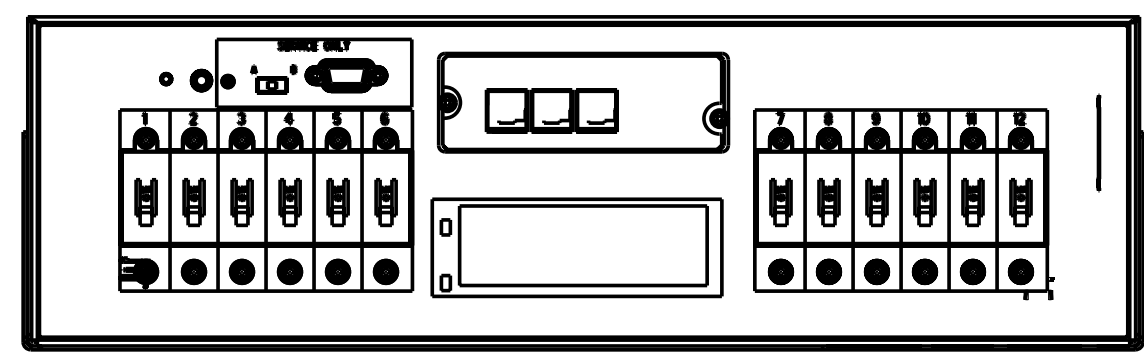


SCALE 0.333



SCALE 0.333



RPM-3U WITH IEC 309 60A LINE CORD AND OPTIONAL CABLE TRAY SHOWN

METRIC		THIRD ANGLE PROJECTION	POWERWARE	SIZE: D
DESCRIPTION: ASSY DWG, R2P2				
MODIFIED BY: M. CARNES	DATE: 28-MAY-2007	UNLESS OTHERWISE SPECIFIED TOLERANCES ON DIMENSIONS ARE: ANGLES: ±1/2° DECIMALS: 0.X; ±0.25 X; (FOR X > 3): ±1 HOLES: Ø0.13 0.XX; ±0.25 X; (FOR X > 3): ±2.5 DIMENSIONS ARE IN MILLIMETERS (INCHES) AND AFTER PLATING		SCALE: 0.167 DO NOT SCALE DRAWING OR CHANGE MANUALLY
ECO: 000XXXX	STATE: Preliminary	PRO-ENGINEER GENERATED		PART NAME: MARKETING_DWG
		REVISION: 2	SHEET: 3 of 8	
THESE DRAWINGS AND SPECIFICATIONS ARE THE PROPERTY OF POWERWARE CORP. AND SHALL NOT BE REPRODUCED OR COPIED OR USED AS THE BASIS FOR MANUFACTURE OR SALE OF APPARATUS WITHOUT PERMISSION				