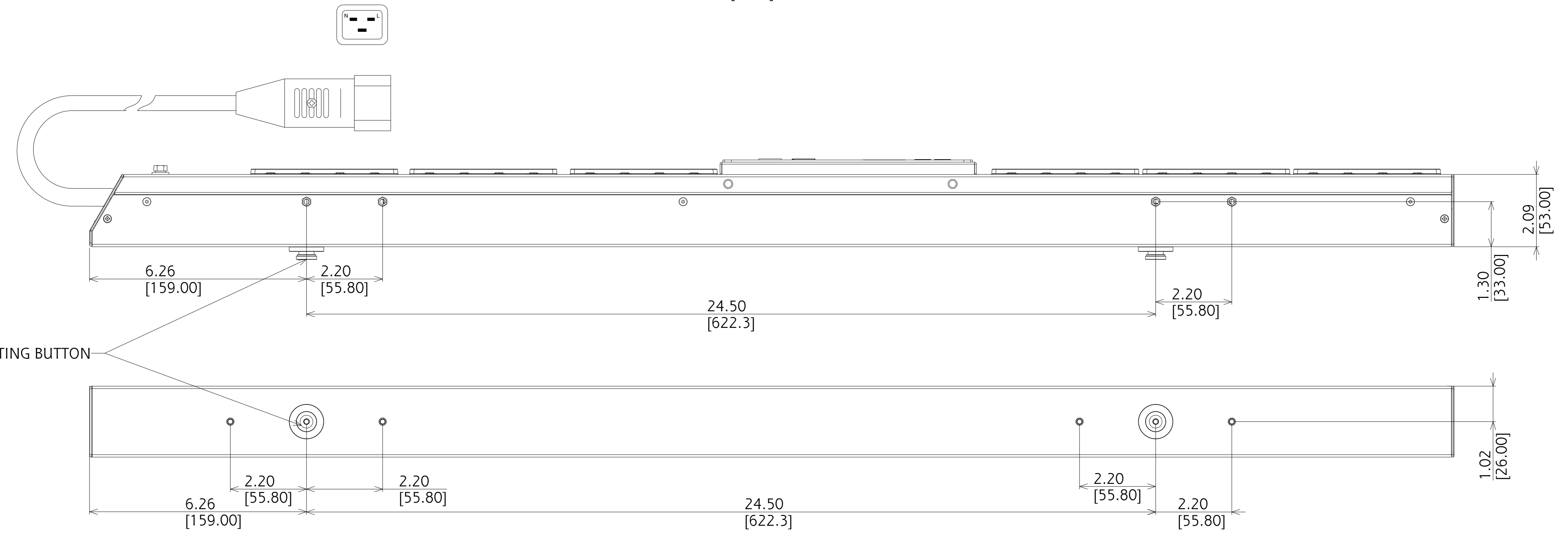
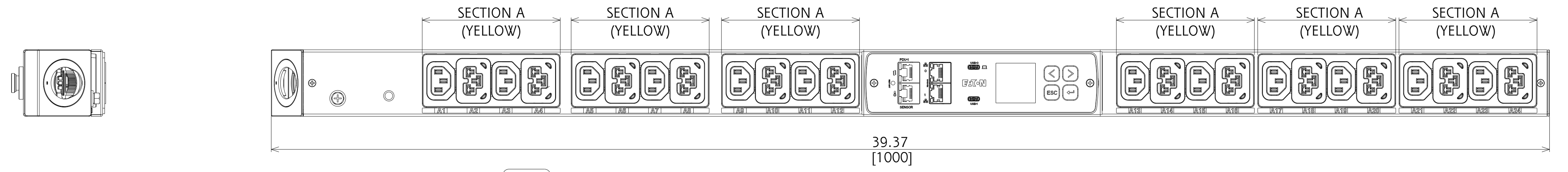
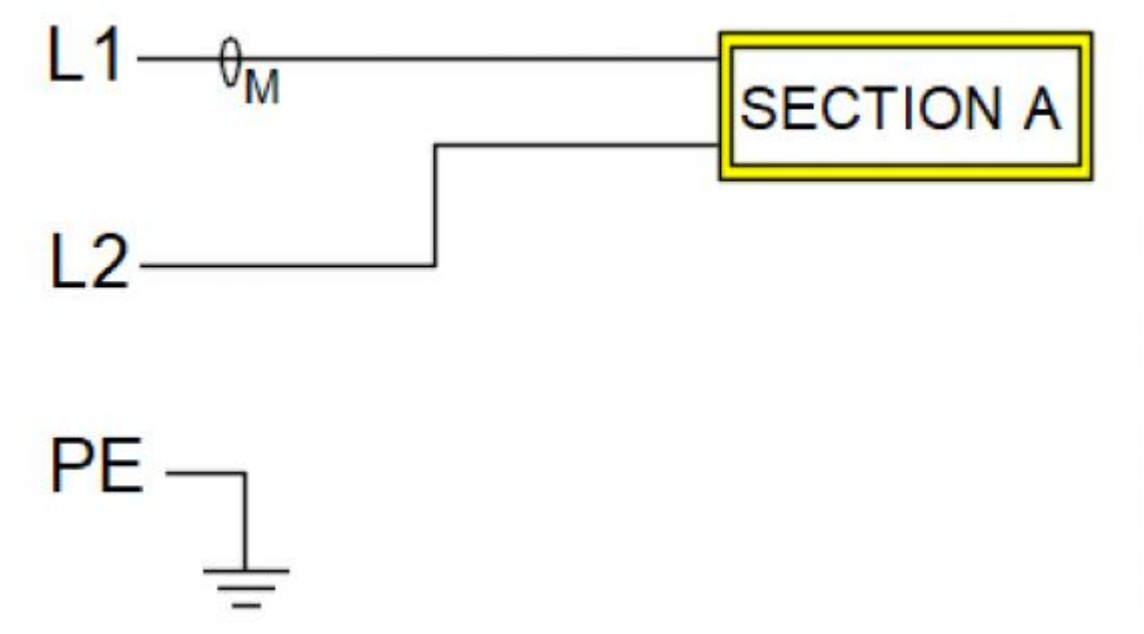
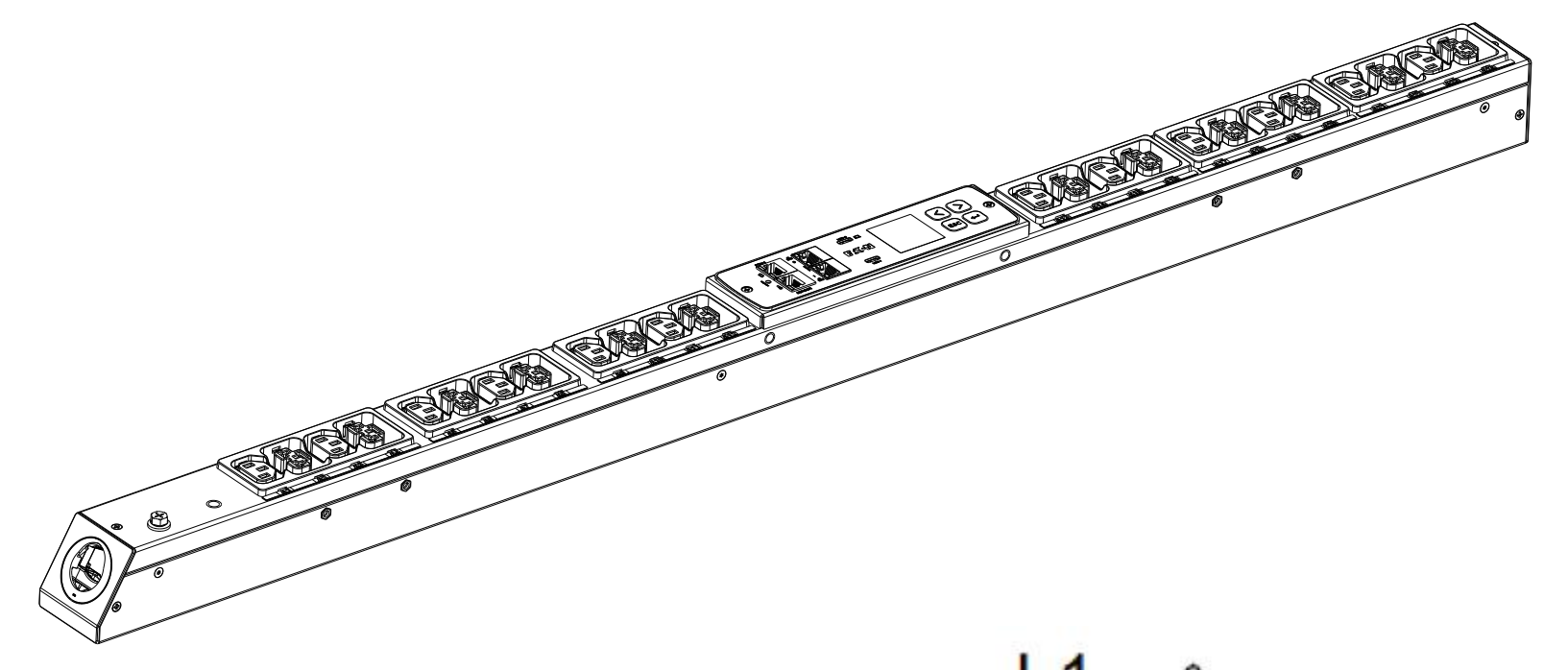


REV	DATE	ECO-CODE	MODIFICATION	PREPARED	APPROVED
18-AUG-2023			FIRST ISSUE		



EVMIFC20A G4 METERED INPUT

FUNCTIONALITY	INPUT	OUTPUT	ENVIRONMENTAL
CURRENT, POWER, AND ENERGY METERING FOR INPUT	IEC 60320 C20 PLUG 12AWG / 3.3mm ² , 3C POWERCORD CABLE LENGTH: 10FT	(12) IEC 60320 C13 (12) EATON C39 - COMBO C13/C19	0° TO 60° C 32° TO 140° F
MECHANICAL	INPUT RATING	OUTPUT RATING	CERTIFICATIONS
39.37" (1000mm) LENGTH 2.05" (52mm) WIDTH 2.09" (53mm) DEPTH ALUMINUM CHASSIS, BLACK	100-240V ~ W + N + PE OR 2W + PE 16A 50/60HZ	100-240V ~ 10A PER C13, 16A PER C39 16A MAX PER SECTION 16A MAX TOTAL	cTUVus CE, UKCA, RCM
CIRCUIT BREAKERS	COMMUNICATION	ACCESSORIES	REGULATORY MODEL
NONE	G4 eNMC, DUAL GIGABIT ETHERNET WITH NETWORK CASCADING, POWER REDUNDANCY PORT, EMP PORT, 2xUSB-C, MENU PIXEL LCD, ADVANCED CYBERSECURITY	INCLUDED SPK045 - INSTALLATION OPTIONAL USB-C TO RS232 ADAPTER - U209-006-RJ45XC OPTIONAL ENVIRONMENTAL PROBE - EMPDT1H1C2	EMIF-JXFA-A31K



METRIC	THIRD ANGLE PROJECTION	NAME (PART NUMBER):	REVISION:	EATON
		9001-22340_EVMIFC20A		
DESCRIPTION: PDU G4 MI 0U C20 16A 1P 12xC13,12xC39				SIZE: D
ORIGINATED BY:	SEE NOTES FOR TOLERANCES DIM ARE IN MM (INCHES) AFTER PLATING	STATE:	SCALE: 0.500	
MODIFIED BY:	INTERPRET DIM AND TOL PER ASME Y14.5-2018	ECO:	SHEET: 1 OF 1	

EATON CORPORATION - CONFIDENTIAL AND PROPRIETARY. NOTICE TO PERSONS RECEIVING THIS DOCUMENT AND/OR TECHNICAL INFORMATION: THIS DOCUMENT IS THE PROPERTY OF EATON CORPORATION AND IS TO BE USED ONLY FOR THE PURPOSES SPECIFIED HEREIN. IT IS TO BE KEPT IN CONFIDENTIALITY AND IS NOT TO BE REPRODUCED, COPIED, OR TRANSMITTED IN ANY FORM OR BY ANY MEANS, ELECTRONIC OR MECHANICAL, INCLUDING PHOTOCOPYING, RECORDING, OR BY ANY INFORMATION STORAGE AND RETRIEVAL SYSTEM, WITHOUT THE WRITTEN PERMISSION OF EATON CORPORATION. ANY UNAUTHORIZED REPRODUCTION OR USE OF THIS DOCUMENT IS STRICTLY PROHIBITED. EATON CORPORATION SHALL NOT BE LIABLE FOR ANY DAMAGES, INCLUDING CONSEQUENTIAL DAMAGES, ARISING FROM THE USE OF THIS DOCUMENT. THIS NOTICE SHALL GOVERN THE STATUS OF THIS DOCUMENT © Eaton Corporation. All Rights Reserved.