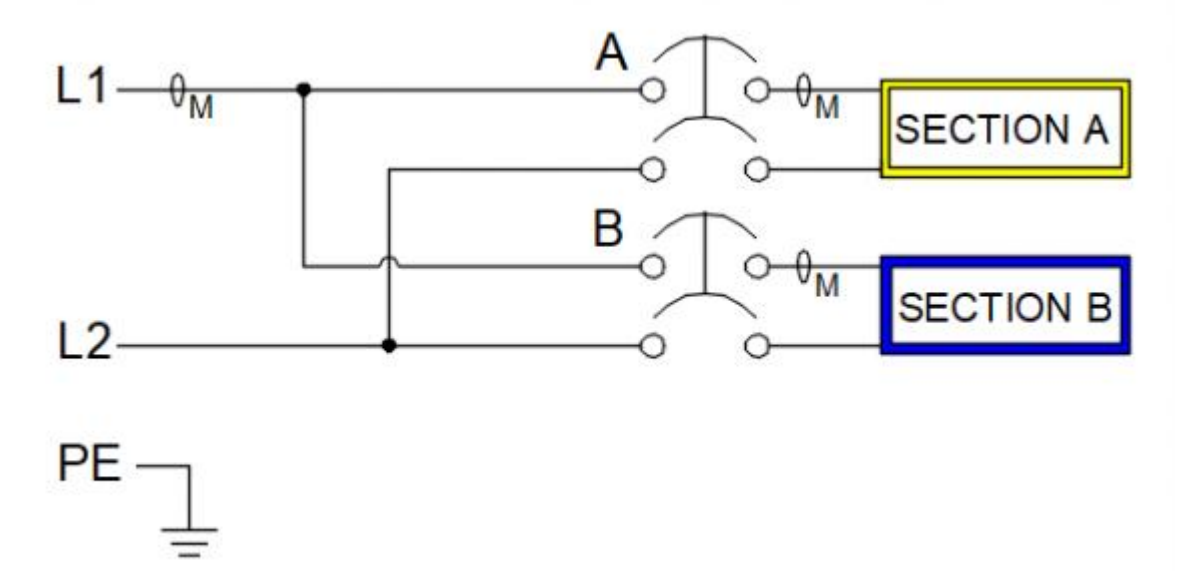
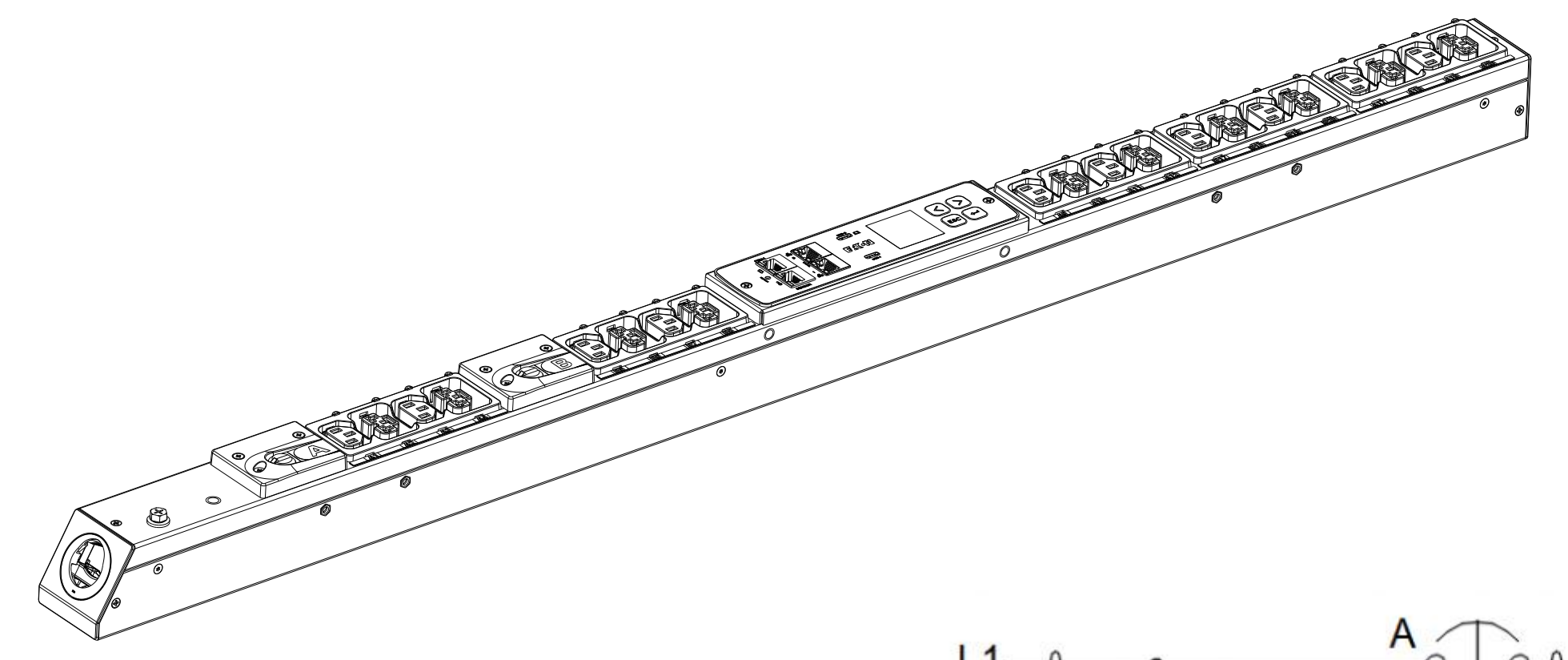
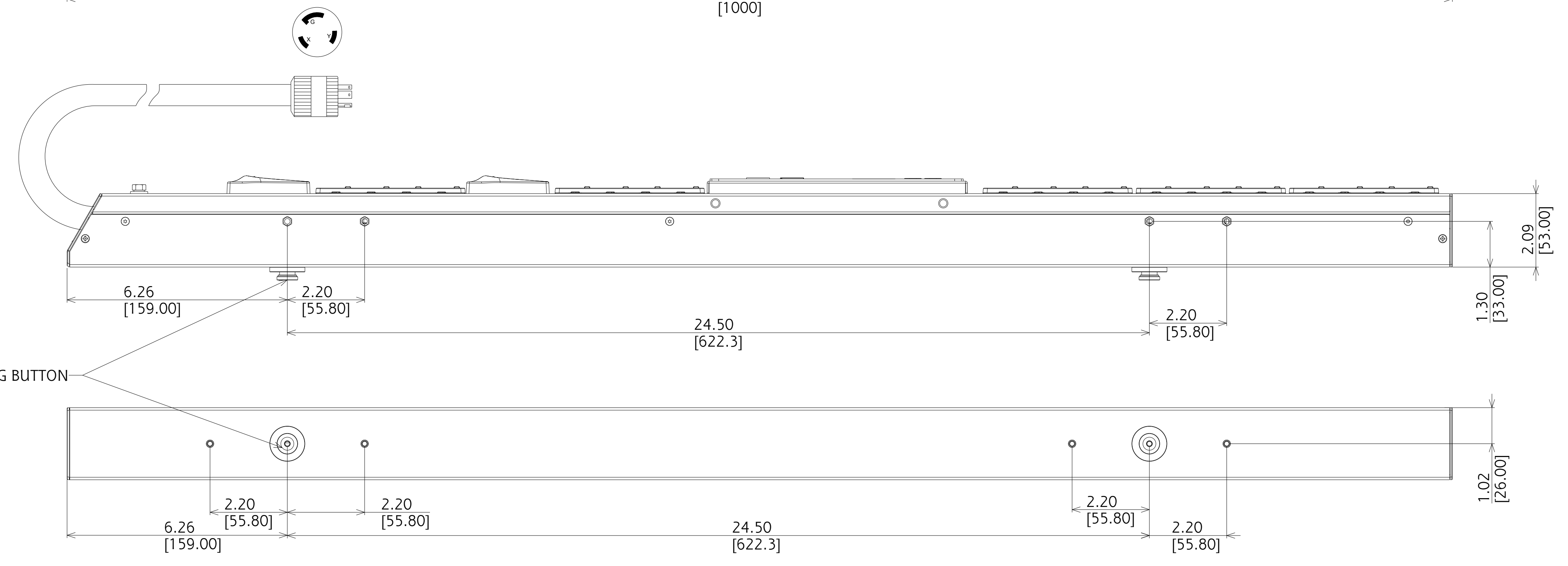
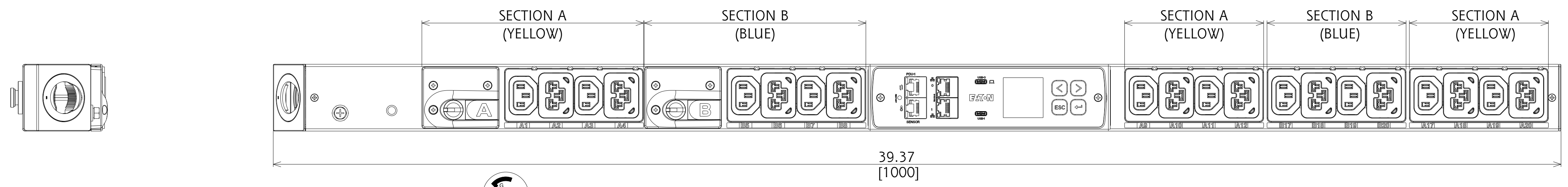


REV	DATE	ECO-CODE	MODIFICATION	PREPARED	APPROVED
18-AUG-2023			FIRST ISSUE		



EVMAL630B G4 MANAGED

FUNCTIONALITY	INPUT	OUTPUT	ENVIRONMENTAL
CURRENT, POWER, AND ENERGY METERING FOR INPUT AND OUTLET; CURRENT METERING FOR BRANCH; OUTLET SWITCHING	NEMA L6-30 10AWG / 3C 10FT POWERCORD	(10) IEC 60320 C13 (10) EATON C39 - COMBO C13/C19	0° TO 60° C 32° TO 140° F
MECHANICAL	INPUT RATING	OUTPUT RATING	CERTIFICATIONS
39.37" (1000mm) LENGTH 2.05" (52mm) WIDTH 2.09" (53mm) DEPTH ALUMINUM CHASSIS, BLACK	200-240V ~ 2W + PE 24A 50/60HZ	200-240V ~ ; 10A PER C13, 16A PER C39 16A MAX PER SECTION 24A MAX TOTAL	cTUVus
CIRCUIT BREAKERS	COMMUNICATION	ACCESSORIES	REGULATORY MODEL
(2) 20A 2-POLE LISTED	G4 eNMC, DUAL GIGABIT ETHERNET WITH NETWORK CASCADING, POWER REDUNDANCY PORT, EMP PORT, 2xUSB-C, MENU PIXEL LCD, ADVANCED CYBERSECURITY	INCLUDED SPK045 - INSTALLATION OPTIONAL USB-C TO RS232 ADAPTER - U209-006-RJ45XC OPTIONAL ENVIRONMENTAL PROBE - EMPDT1H1C2	EMAF-MTXJ-C41K

METRIC		THIRD ANGLE PROJECTION	NAME (PART NUMBER)	REVISION	EATON
			9001-22341_EVMAL630B		
DESCRIPTION: PDU G4 MA 0U 30A 1P L6-30 10xC13,10xC39					SIZE: D
ORIGINATED BY:	SEE NOTES FOR TOLERANCES DIM ARE IN MM (INCHES) AFTER PLATING			STATE:	SCALE: 0.500
MODIFIED BY:	INTERPRET DIM AND TOL PER ASME Y14.5-2018			ECO:	SHEET: 1 OF 1
<small>EATON CORPORATION - CONFIDENTIAL AND PROPRIETARY. NOTICE TO PERSONS RECEIVING THIS DOCUMENT AND/OR TECHNICAL INFORMATION: THIS DOCUMENT IS THE PROPERTY OF EATON CORPORATION AND IS TO BE USED ONLY FOR THE PURPOSES SPECIFIED HEREIN. IT IS NOT TO BE REPRODUCED, COPIED, OR TRANSMITTED IN ANY FORM OR BY ANY MEANS, ELECTRONIC OR MECHANICAL, INCLUDING PHOTOCOPYING, RECORDING, OR BY ANY INFORMATION STORAGE AND RETRIEVAL SYSTEM, WITHOUT THE WRITTEN PERMISSION OF EATON CORPORATION. EATON CORPORATION SHALL NOT BE LIABLE FOR ANY DAMAGES, INCLUDING CONSEQUENTIAL DAMAGES, ARISING FROM THE USE OF THIS DOCUMENT OR THE INFORMATION CONTAINED HEREIN. THE USER SHALL BE RESPONSIBLE FOR OBTAINING ALL NECESSARY PERMITS AND APPROVALS FOR THE USE OF THIS DOCUMENT AND THE INFORMATION CONTAINED HEREIN. THIS NOTICE SHALL GOVERN THE STATUS OF THIS DOCUMENT © Eaton Corporation. All Rights Reserved.</small>					