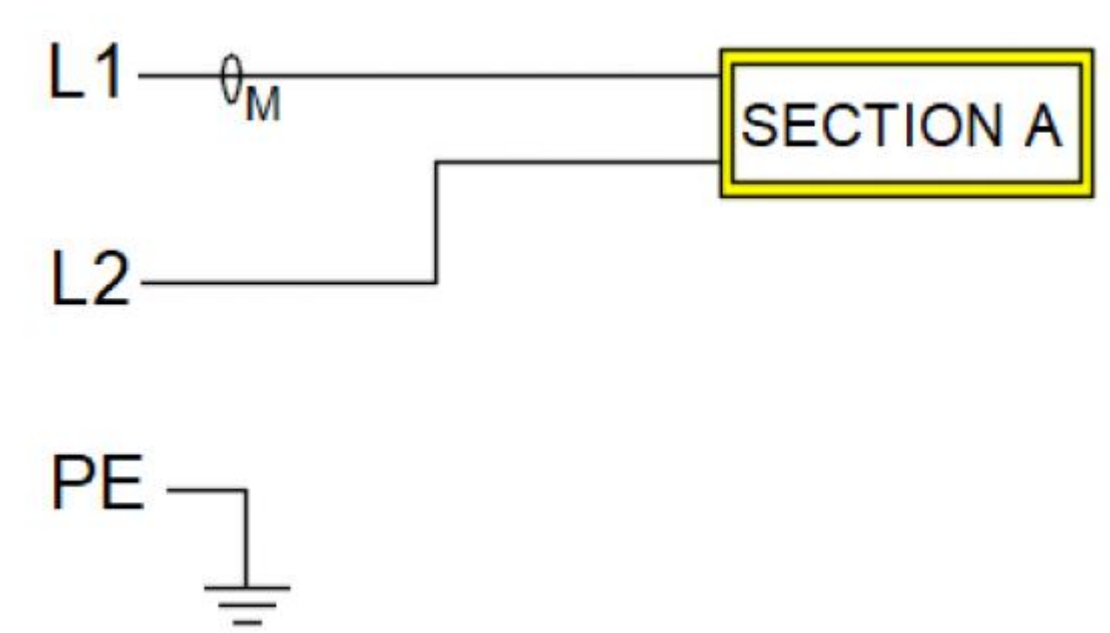
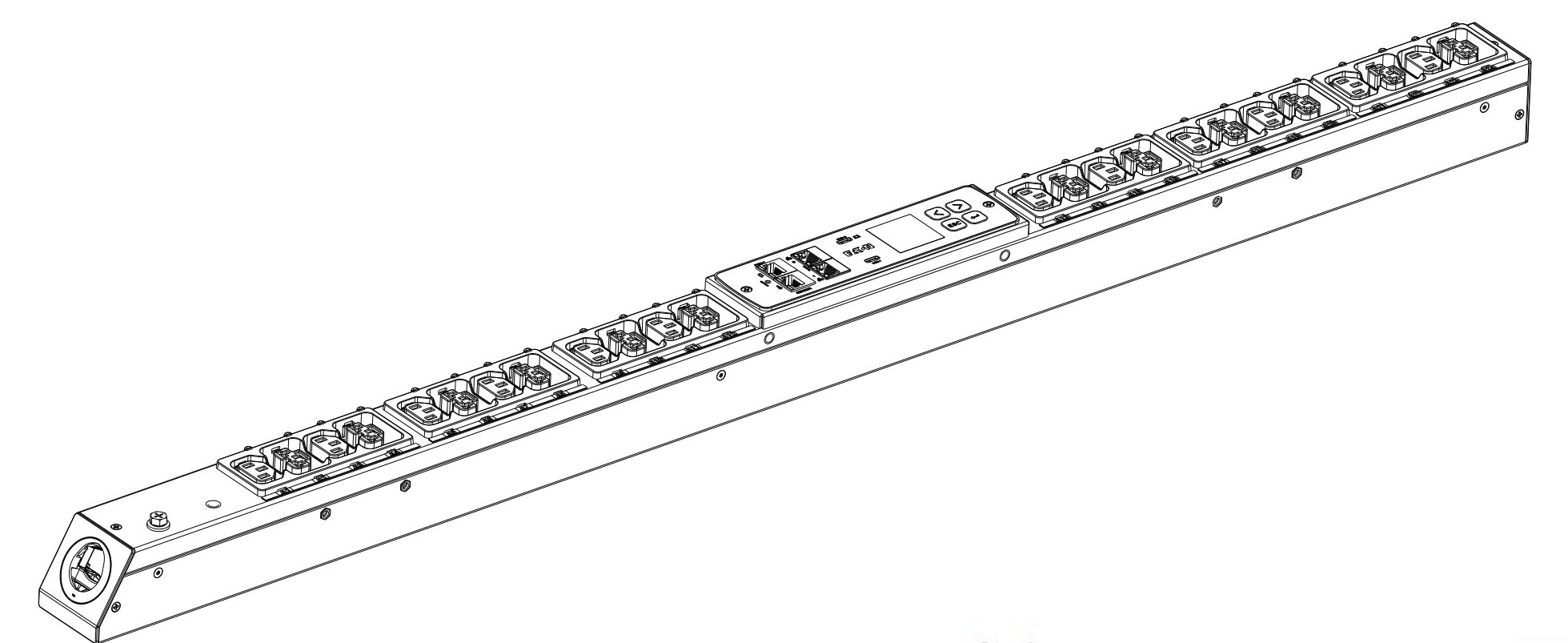
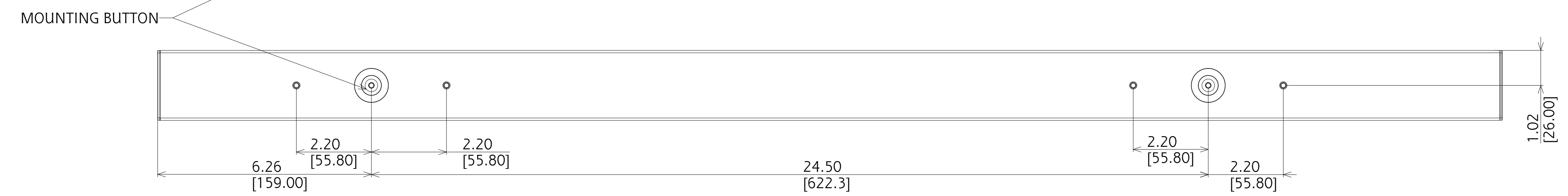
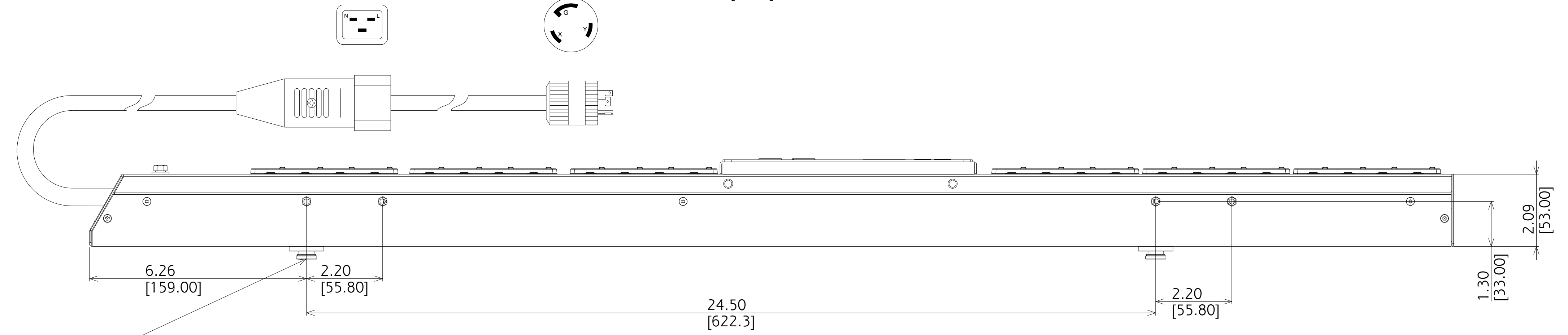
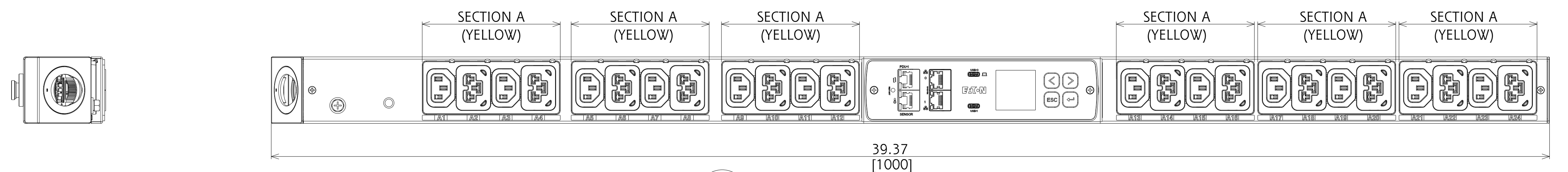


| REV | DATE | ECO-CODE | MODIFICATION | PREPARED | APPROVED |
|-------------|------|----------|--------------|----------|----------|
| 18-AUG-2023 | | | FIRST ISSUE | | |



EVMAL620A G4 MANAGED

| | | | |
|---|---|--|------------------------------|
| FUNCTIONALITY | INPUT | OUTPUT | ENVIRONMENTAL |
| CURRENT, POWER, AND ENERGY METERING FOR INPUT AND OUTLET; OUTLET SWITCHING | IEC 60320 C20 PLUG 12AWG / 3.3mm ² , 3C, 10FT CABLE INCLUDES ADAPTER - LOCKING C19 TO NEMA L6-20P, 6IN CABLE | (12) IEC 60320 C13 (12) EATON C39 - COMBO C13/C19 | 0° TO 60° C 32° TO 140° F |
| MECHANICAL | INPUT RATING | OUTPUT RATING | CERTIFICATIONS |
| 39.37" (1000mm) LENGTH 2.05" (52mm) WIDTH 2.09" (53mm) DEPTH ALUMINUM CHASSIS, BLACK | 100-240V ~ W + N + PE OR 2W + PE 16A 50/60HZ | 100-240V ~ 10A PER C13, 16A PER C39 16A MAX PER SECTION 16A MAX TOTAL | cTUVus CE, UKCA, RCM |
| CIRCUIT BREAKERS | COMMUNICATION | ACCESSORIES | REGULATORY MODEL |
| NONE | G4 eNMC, DUAL GIGABIT ETHERNET WITH NETWORK CASCADING, POWER REDUNDANCY PORT, EMP PORT, 2xUSB-C, MENU PIXEL LCD, ADVANCED CYBERSECURITY | INCLUDED SPK045 - INSTALLATION OPTIONAL USB-C TO RS232 ADAPTER - U209-006-RJ45XC OPTIONAL ENVIRONMENTAL PROBE - EMPDT1H1C2 | EMAF-JXFA-A31K |

| | | | |
|---|--|--|---------------------------|
| METRIC THIRD ANGLE PROJECTION | | NAME (PART NUMBER): 9001-22335_EVMAL620A | REVISION: EATON |
| DESCRIPTION: PDU G4 MA 0U C20 Plug 12xC13, 12xC39 | | SIZE: D | SCALE: 0.500 |
| ORIGINATED BY: | SEE NOTES FOR TOLERANCES DIM ARE IN MM (INCHES) AFTER PLATING | STATE: | SHEET: 1 OF 1 |
| MODIFIED BY: | INTERPRET DIM AND TOL PER ASME Y14.5-2018 | ECO: | |

EATON CORPORATION - CONFIDENTIAL AND PROPRIETARY. NOTICE TO PERSONS RECEIVING THIS DOCUMENT AND/OR TECHNICAL INFORMATION: THIS DOCUMENT IS THE PROPERTY OF EATON CORPORATION AND IS TO BE USED ONLY FOR THE PURPOSES SPECIFIED HEREIN. IT IS NOT TO BE REPRODUCED, COPIED, OR TRANSMITTED IN ANY FORM OR BY ANY MEANS, ELECTRONIC OR MECHANICAL, INCLUDING PHOTOCOPYING, RECORDING, OR BY ANY INFORMATION STORAGE AND RETRIEVAL SYSTEM, WITHOUT THE PRIOR WRITTEN CONSENT OF EATON. IN THE CASE OF CONFLICTING CONTRACTUAL PROVISIONS, THIS NOTICE SHALL GOVERN THE STATUS OF THIS DOCUMENT. © Eaton Corporation. All Rights Reserved.