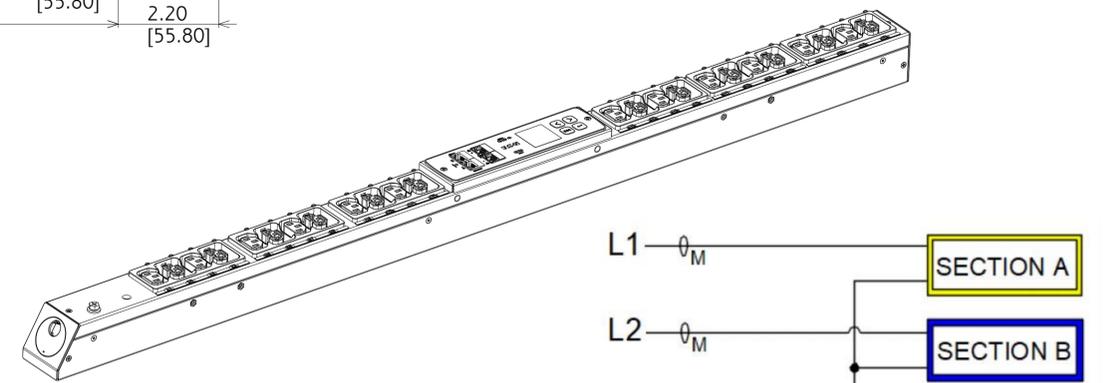
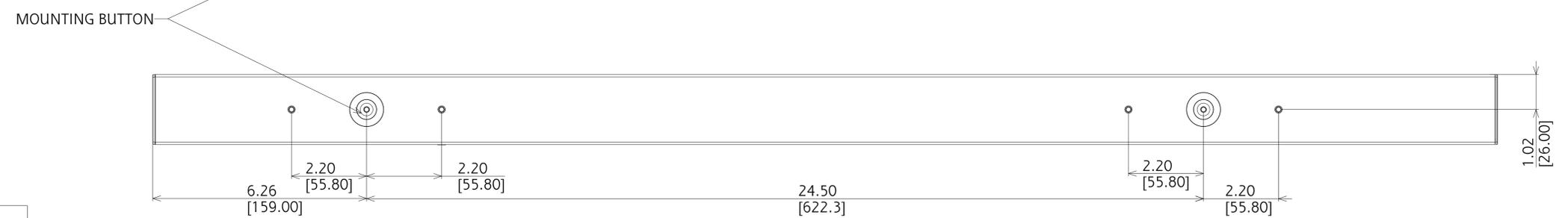
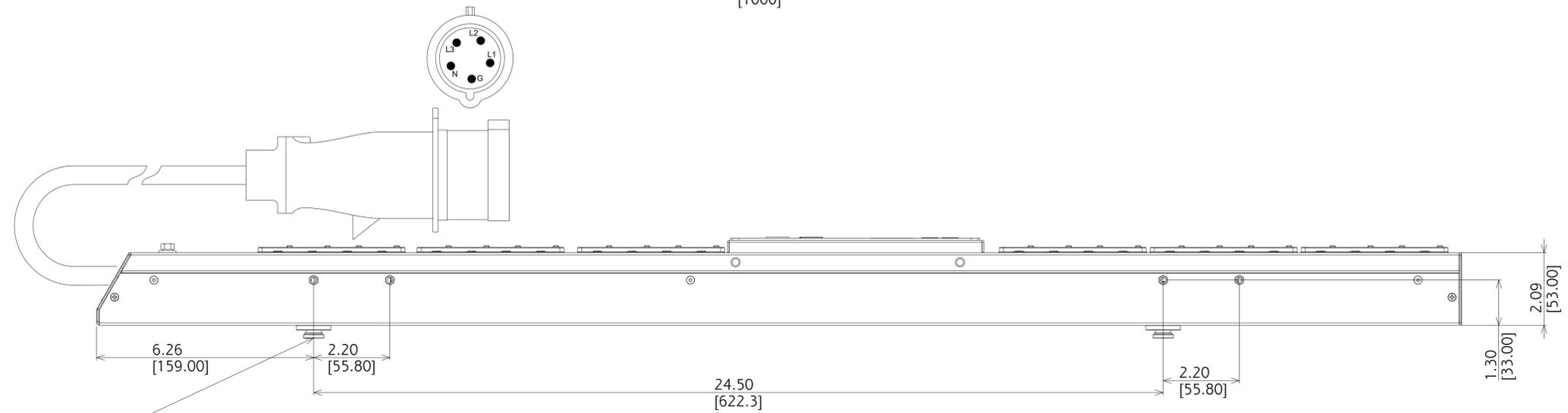
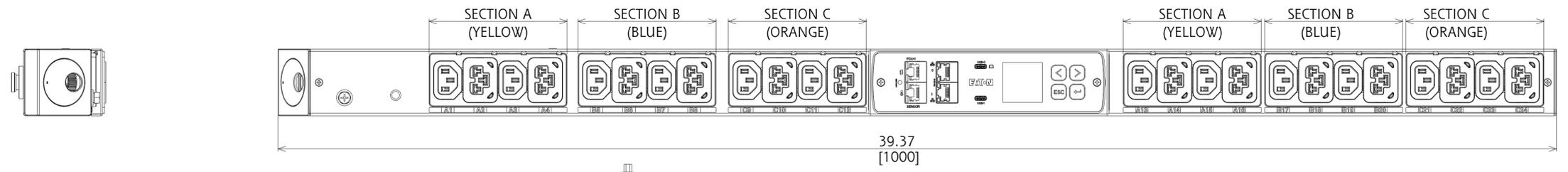


REV	DATE	ECO-CODE	MODIFICATION	PREPARED	APPROVED
18-AUG-2023			FIRST ISSUE		



## EVMAF316A G4 MANAGED

FUNCTIONALITY	INPUT	OUTPUT	ENVIRONMENTAL
CURRENT, POWER, AND ENERGY METERING FOR INPUT AND OUTLET; OUTLET SWITCHING	IEC 60309 516P6 1.5mm <sup>2</sup> x 5C POWERCORD CABLE LENGTH: 3.0M	(12) IEC 60320 C13 (12) EATON C39 - COMBO C13/C19	0° TO 60° C 32° TO 140° F
MECHANICAL	INPUT RATING	OUTPUT RATING	CERTIFICATIONS
39.37" (1000mm) LENGTH 2.05" (52mm) WIDTH 2.09" (53mm) DEPTH ALUMINUM CHASSIS, BLACK	200-240 / 346-415V ~ WYE, 3W + N + PE 16A 50/60HZ	200-240V ~ 10A PER C13, 16A PER C39 16A MAX PER SECTION NOT TO EXCEED INPUT RATING	CE, UKCA, RCM
CIRCUIT BREAKERS	COMMUNICATION	ACCESSORIES	REGULATORY MODEL
NONE	G4 eNMC, DUAL GIGABIT ETHERNET WITH NETWORK CASCADING, POWER REDUNDANCY PORT, EMP PORT, 2xUSB-C, MENU PIXEL LCD, ADVANCED CYBERSECURITY	INCLUDED SPK045 - INSTALLATION OPTIONAL USB-C TO RS232 ADAPTER - U209-006-RJ45XC OPTIONAL ENVIRONMENTAL PROBE - EMPDT1H1C2	EMAF-DAFA-A31K

METRIC	THIRD ANGLE PROJECTION	NAME (PART NUMBER): 9001-22332_EVMAF316A	REVISION:	<b>EATON</b>
DESCRIPTION: PDU G4 MA 0U 309 16A 3P 12xC13, 12xC39		STATE:	SCALE: 0.500	SIZE: D
ORIGINATED BY:	SEE NOTES FOR TOLERANCES DIM ARE IN MM (INCHES) AFTER PLATING	INTERPRET DIM AND TOL PER ASME Y14.5-2018	ECCO:	SHEET: 1 OF 1
<small>EATON CORPORATION - CONFIDENTIAL AND PROPRIETARY. NOTICE TO PERSONS RECEIVING THIS DOCUMENT AND/OR TECHNICAL INFORMATION: THIS DOCUMENT IS THE PROPERTY OF EATON CORPORATION AND IS TO BE USED ONLY FOR THE PURPOSES SPECIFIED IN THE DRAWING AND IS NOT TO BE REPRODUCED, COPIED, OR TRANSMITTED IN ANY FORM OR BY ANY MEANS, ELECTRONIC OR MECHANICAL, INCLUDING PHOTOCOPYING, RECORDING, OR BY ANY INFORMATION STORAGE AND RETRIEVAL SYSTEM, WITHOUT THE PRIOR WRITTEN CONSENT OF EATON. IN THE CASE OF CONFLICTING CONTRACTUAL PROVISIONS, THIS NOTICE SHALL GOVERN THE STATUS OF THIS DOCUMENT. © Eaton Corporation. All Rights Reserved.</small>				