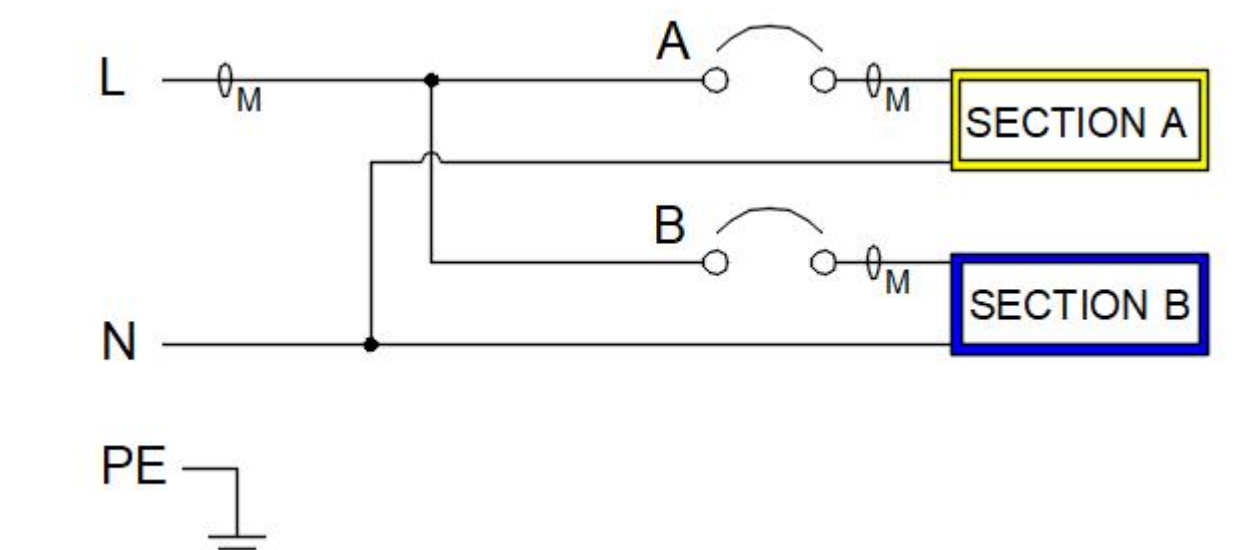
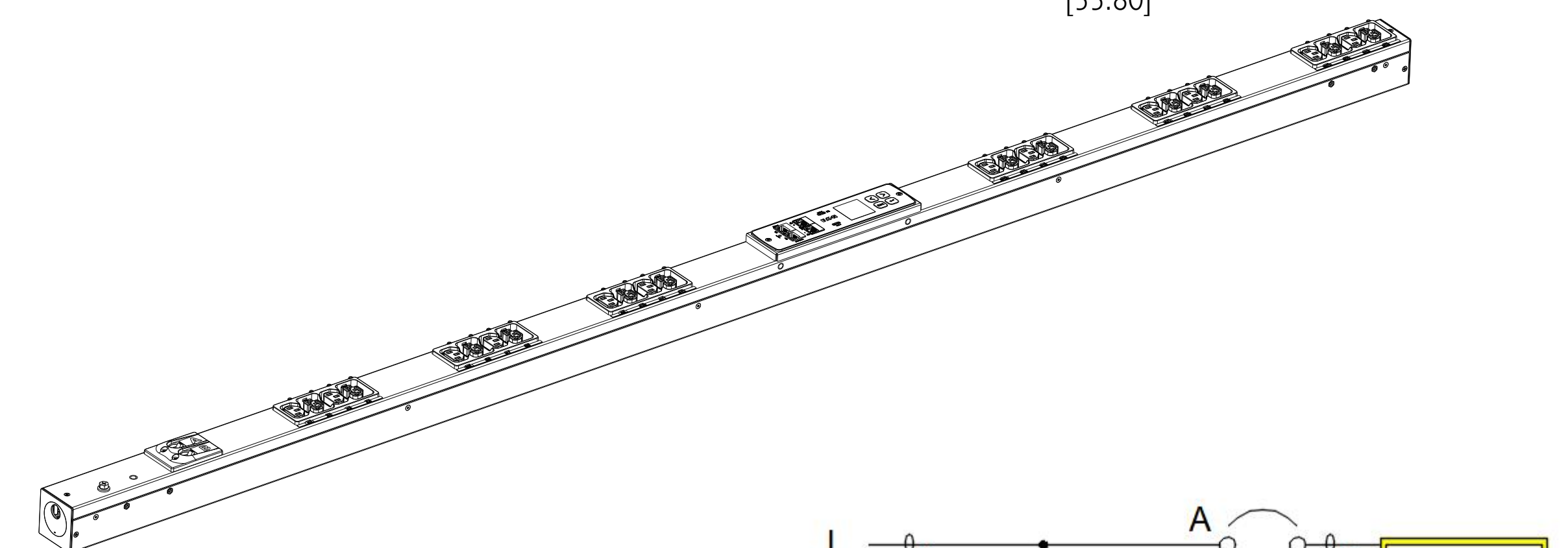
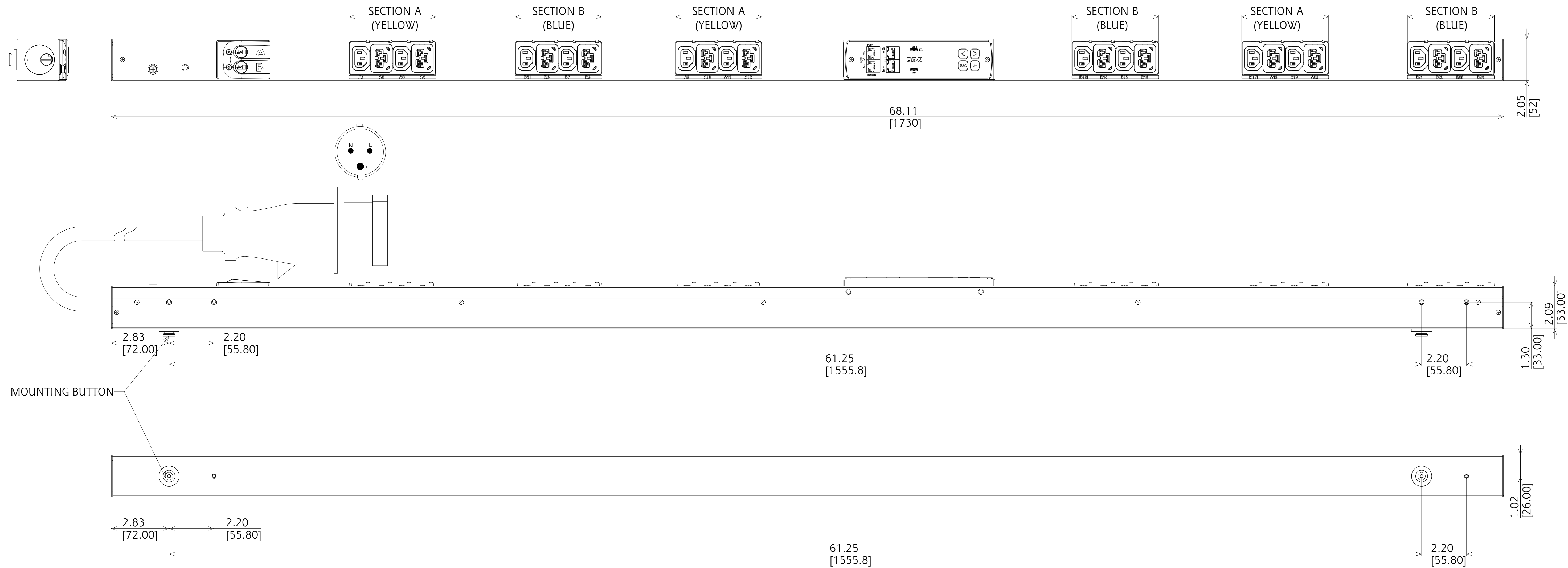


REV	DATE	ECO-CODE	MODIFICATION	PREPARED	APPROVED
18-AUG-2023			FIRST ISSUE		



## EVMAF132A G4 MANAGED

FUNCTIONALITY	INPUT	OUTPUT	ENVIRONMENTAL
CURRENT, POWER, AND ENERGY METERING FOR INPUT AND OUTLET; CURRENT METERING FOR BRANCH; OUTLET SWITCHING	IEC 60309 332P6 4.0mm <sup>2</sup> x 3C POWERCORD CABLE LENGTH: 3.0M	(12) IEC 60320 C13 (12) EATON C39 - COMBO C13/C19	0° TO 60° C 32° TO 140° F
MECHANICAL	INPUT RATING	OUTPUT RATING	CERTIFICATIONS
68.11" (1730mm) LENGTH 2.05" (52mm) WIDTH 2.09" (53mm) DEPTH ALUMINUM CHASSIS, BLACK	200-240V ~ W + N + PE 32A 50/60HZ	200-240V ~ 10A PER C13, 16A PER C39 16A MAX PER SECTION 32A MAX TOTAL	CE, UKCA, RCM
CIRCUIT BREAKERS	COMMUNICATION	ACCESSORIES	REGULATORY MODEL
(2) 16A 1-POLE	G4 eNMC, DUAL GIGABIT ETHERNET WITH NETWORK CASCADING, POWER REDUNDANCY PORT, EMP PORT, 2xUSB-C, MENU PIXEL LCD, ADVANCED CYBERSECURITY	INCLUDED SPK045 - INSTALLATION OPTIONAL USB-C TO RS232 ADAPTER - U209-006-RJ45XC OPTIONAL ENVIRONMENTAL PROBE - EMPDT1H1C2	EMAF-CHFB-C37K

METRIC		THIRD ANGLE PROJECTION	NAME (PART NUMBER)	REVISION	EATON
DESCRIPTION:			9001-22325_EVMAF132A_15B		
ORIGINATED BY:		SEE NOTES FOR TOLERANCES DIM ARE IN MM (INCHES) AFTER PLATING	STATE:	SCALE: 0.400	
MODIFIED BY:		INTERPRET DIM AND TOL PER ASME Y14.5-2018	ECO:	SHEET: 1 OF 1	

EATON CORPORATION - CONFIDENTIAL AND PROPRIETARY. NOTICE TO PERSONS RECEIVING THIS DOCUMENT AND/OR TECHNICAL INFORMATION: THIS DOCUMENT IS THE PROPERTY OF EATON CORPORATION AND IS TO BE USED ONLY FOR THE PURPOSES AND IN ACCORDANCE WITH THE TERMS AND CONDITIONS OF THE LICENSE AGREEMENT. ANY REPRODUCTION OR TRANSMISSION OF THIS DOCUMENT WITHOUT THE WRITTEN CONSENT OF EATON IS STRICTLY PROHIBITED. EATON CORPORATION SHALL NOT BE LIABLE FOR ANY DAMAGES, INCLUDING CONSEQUENTIAL DAMAGES, ARISING FROM THE USE OF THIS DOCUMENT. THIS NOTICE SHALL GOVERN THE STATUS OF THIS DOCUMENT. © Eaton Corporation. All Rights Reserved.