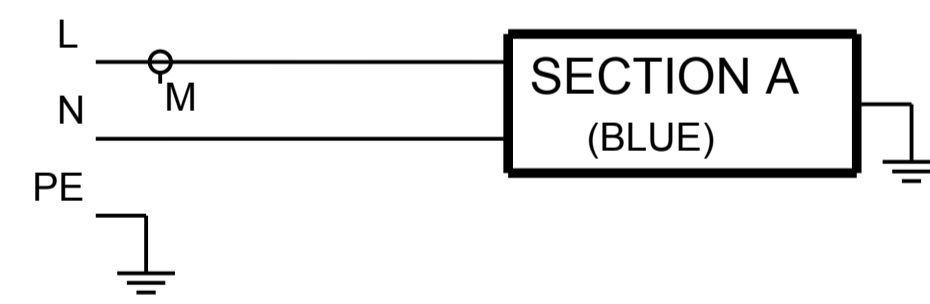


CABLE LENGTH SHOWN NOT TO SCALE



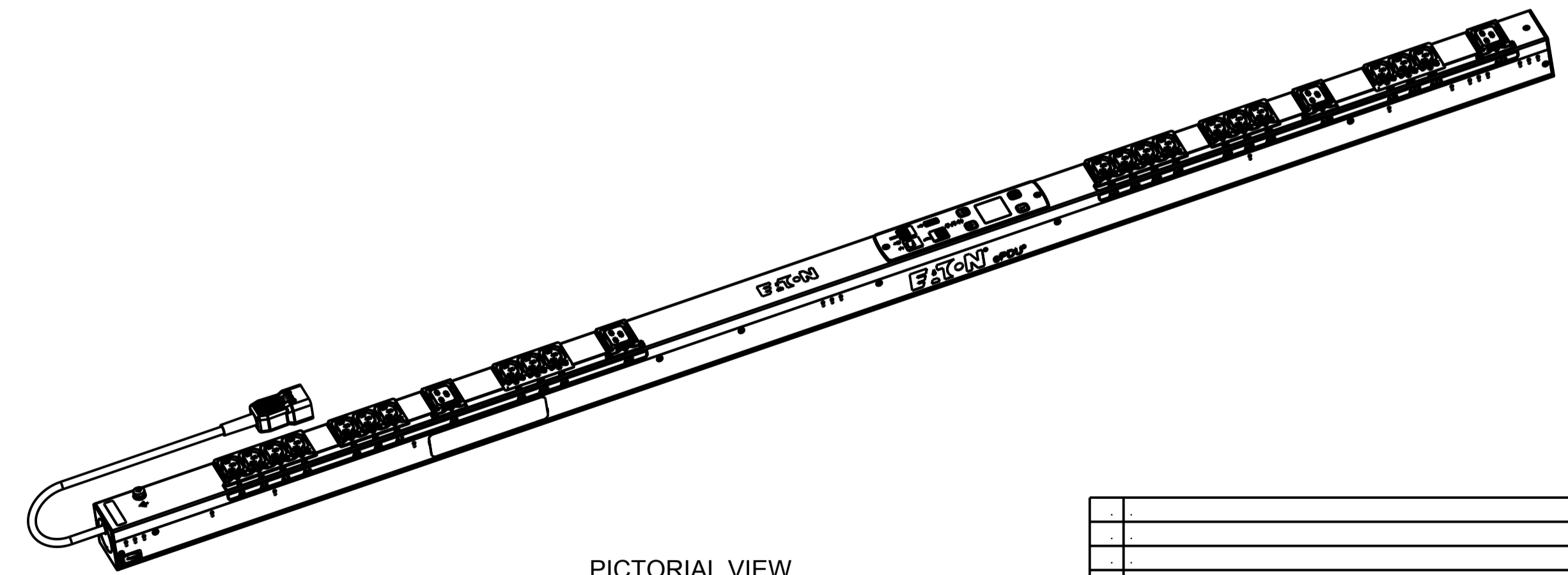
SECTION A  
BLUE

CIRCUIT SCHEMATIC



## EMOB22 G3+ METERED OUTLETS

FUNCTIONALITY	INPUT	OUTPUT	ENVIRONMENTAL
CURRENT POWER AND ENERGY METERING FOR INPUT, BRANCH AND OUTLETS.	IEC 60309 C20 16A 230V~ W+N+PE 1.5MM HO5 POWER CORD CABLE LENGTH: 3.0 M	(20) IEC 60320 C13 GRIP / P-LOCK (4) IEC 60320 C19 GRIP / P-LOCK	0 TO 60 °C
MECHANICAL	INPUT RATING	OUTPUT RATING	CERTIFICATIONS
LENGTH: 1604MM WIDTH: 52 MM DEPTH: 53MM ALUMINIUM CHASSIS, BLACK MNT PATTERN SK-23919-Y1	1Ø; 200-240V~;W+N+PE 50/60HZ 16A	200-240V~;50/60HZ 10A PER C13;16A PER C19 16A MAX TOTAL	CE, CB
CIRCUIT BREAKERS	FILTER AND SPIKE/SURGE	ACCESSORIES	CONFIGURATION
NONE	NONE	STANDARD KSP025 - VERT INSTALLATION AND NETWORK PACK KA35 OPTIONAL EMPDT1H1C2 - ENVIRONMENTAL PROBE	EMO6CX7FABH77AM



PICTORIAL VIEW  
REFERENCE ONLY  
SCALE 0.200

01 CHANGE PACK FROM KSP015 TO KSP025		14.06.17	VV	MB
REV	MODIFICATION	DATE	DESIGNER	VERIF
EATON HEINEMANN PRODUCTS		VUE/VIEW EUROPE: 4/10	ECHELLE / SCALE	N° MAG EMOB22
CH-1345 LE LIEU SWITZERLAND		DESSEINE LE / DRAWN THE	25.08.2014	
TRAITEMENT / FINISH NA		PAR / BY	G.McD.	
MATERIE / MATERIAL NA		VERIFIE PAR / VERIFIED BY	M.B.	
NIVEAU DU CERTIFICAT DE SOUMISSION REQUIS / SAMPLES APPROVAL PROCESS REPORT X		DIMENSIONS AND TOLERANCES IN MILLIMETERS		
DESIGNATION	EPDU MO 0U (C20 16A 1P)20XC13.4XC19	SK-49519-Y1	01	
COTES A CONTROLER / INSPECTION DIMENSIONS	XX.XX	COTES FONCTIONNELLES / FUNCTIONAL DIMENSIONS	# XX.XX	NUMERO DU PLAN / PLAN NUMBER
Ce document est propriété de Eaton Industries Manufacturing GmbH. Duplication interdite sans autorisation. This document is Eaton Industries Manufacturing GmbH property. Duplication forbidden without authorization.				