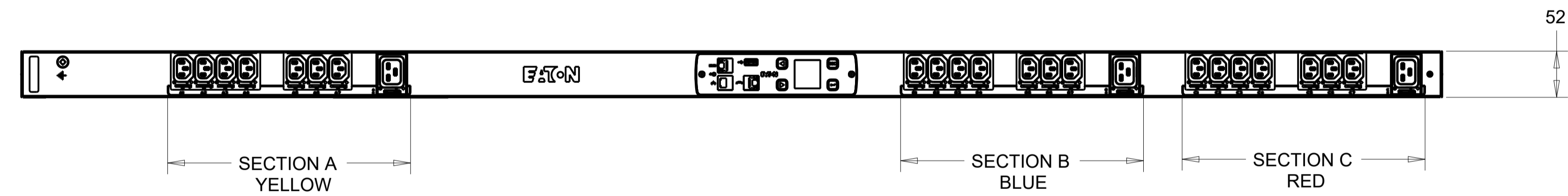
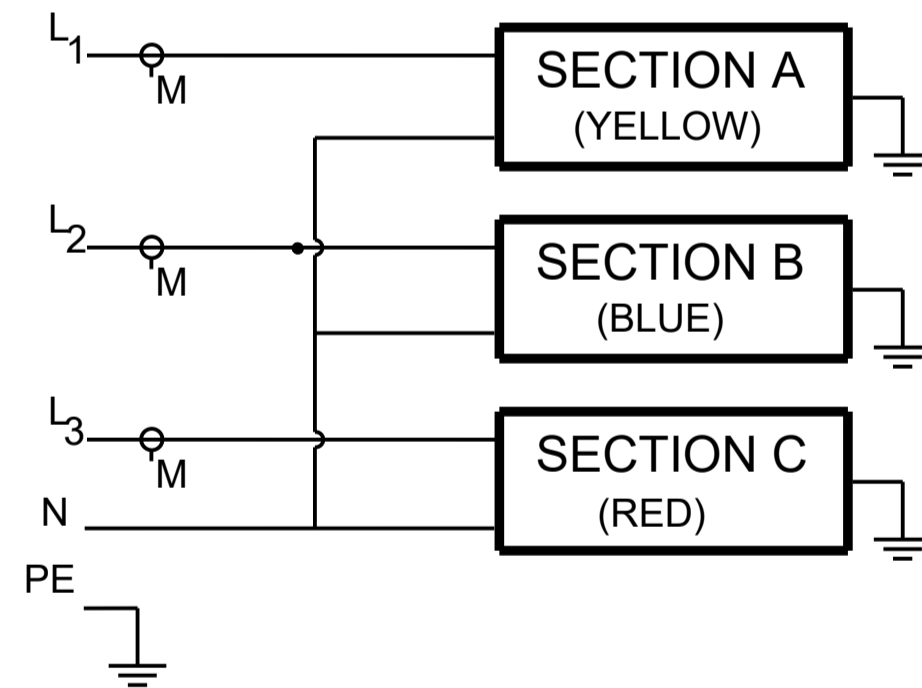


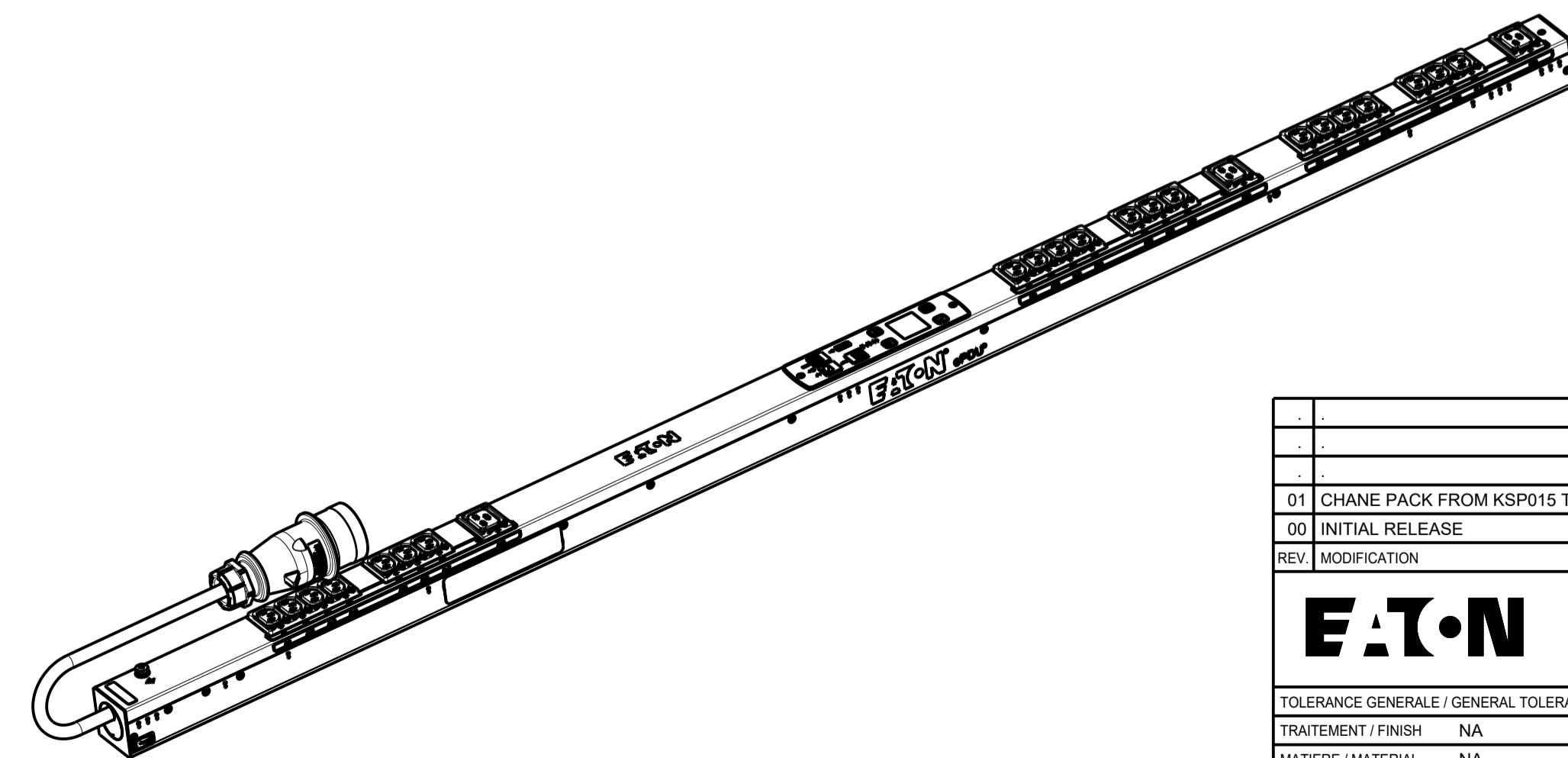
CABLE LENGTH SHOWN NOT TO SCALE

CIRCUIT SCHEMATIC



EMOB20 G3+ METERED OUTLETS

FUNCTIONALITY	INPUT	OUTPUT	ENVIRONMENTAL
CURRENT POWER AND ENERGY METERING FOR INPUT, BRANCH AND OUTLETS.	IEC 60309-2 16A 230/400V 3P+N+E 1.5MM HO7 POWER CORD CABLE LENGTH: 3.0M	(21) IEC 60320 C13 GRIP / P-LOCK (3) IEC 60320 C19 GRIP / P-LOCK	0 TO 60 °C
MECHANICAL	INPUT RATING	OUTPUT RATING	CERTIFICATIONS
LENGTH: 1604MM WIDTH: 52 MM DEPTH: 53MM ALUMINIUM CHASSIS, BLACK MNT PATTERN SK-23919-Y1	3Ø;346-415V~; WYE, 3W+N+PE 50/60HZ 16A	200-240V~;50/60HZ 10A PER C13;16A PER C19 16A MAX PER SECTION 16A MAX TOTAL	CE, CB
CIRCUIT BREAKERS	FILTER AND SPIKE/SURGE	ACCESSORIES	CONFIGURATION
NONE	NONE	STANDARD KSP025 - VERT INSTALLATION AND NETWORK PACK KA35 OPTIONAL EMPDT1H1C2 - ENVIRONMENTAL PROBE	EMO6DA8FAGE77CM



SCALE 0.188

01 CHANE PACK FROM KSP015 TO KSP025		27.07.2018	AEK	M.B
00 INITIAL RELEASE		01.12.2014	G.McD	M.B
REV / MODIFICATION		DATE	DESIGNER	VERIF
EATON		HEINEMANN PRODUCTS		VUE/VIEW EUROPE: 4/10
CH-1345 LE LIEU SWITZERLAND		DESSEINÉ LE / DRAWN THE 01.12.2014		N° MAG EMOB20
TOLERANCE GENERALE / GENERAL TOLERANCE		VERIFIE PAR / VERIFIED BY		M.B
TRAITEMENT / FINISH NA		MATERIE / MATERIAL NA		
NIVEAU DU CERTIFICAT DE SOUMISSION REQUIS / SAMPLES APPROVAL PROCESS REPORT X		DIMENSIONS AND TOLERANCES IN MILLIMETERS		
DESIGNATION EPDU MO 0U (309 16A 3P)21XC13:3XC19		SK-49219-Y1		01
COTES A CONTROLER / INSPECTION DIMENSIONS XX.XX		COTES FONCTIONNELLES / FUNCTIONAL DIMENSIONS # XX.XX		NUMERO DU PLAN / PLAN NUMBER
Ce document est propriété de Eaton Industries Manufacturing GmbH. Duplication interdite sans autorisation. This document is Eaton Industries Manufacturing GmbH property. Duplication forbidden without authorization.				