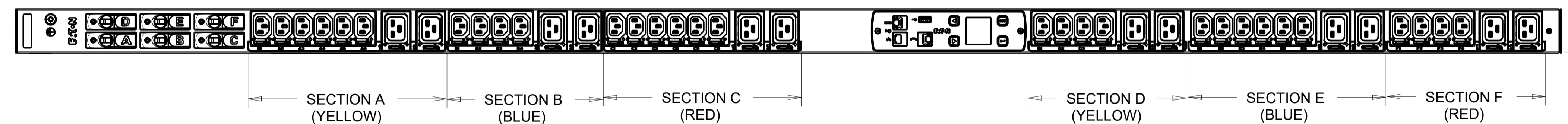
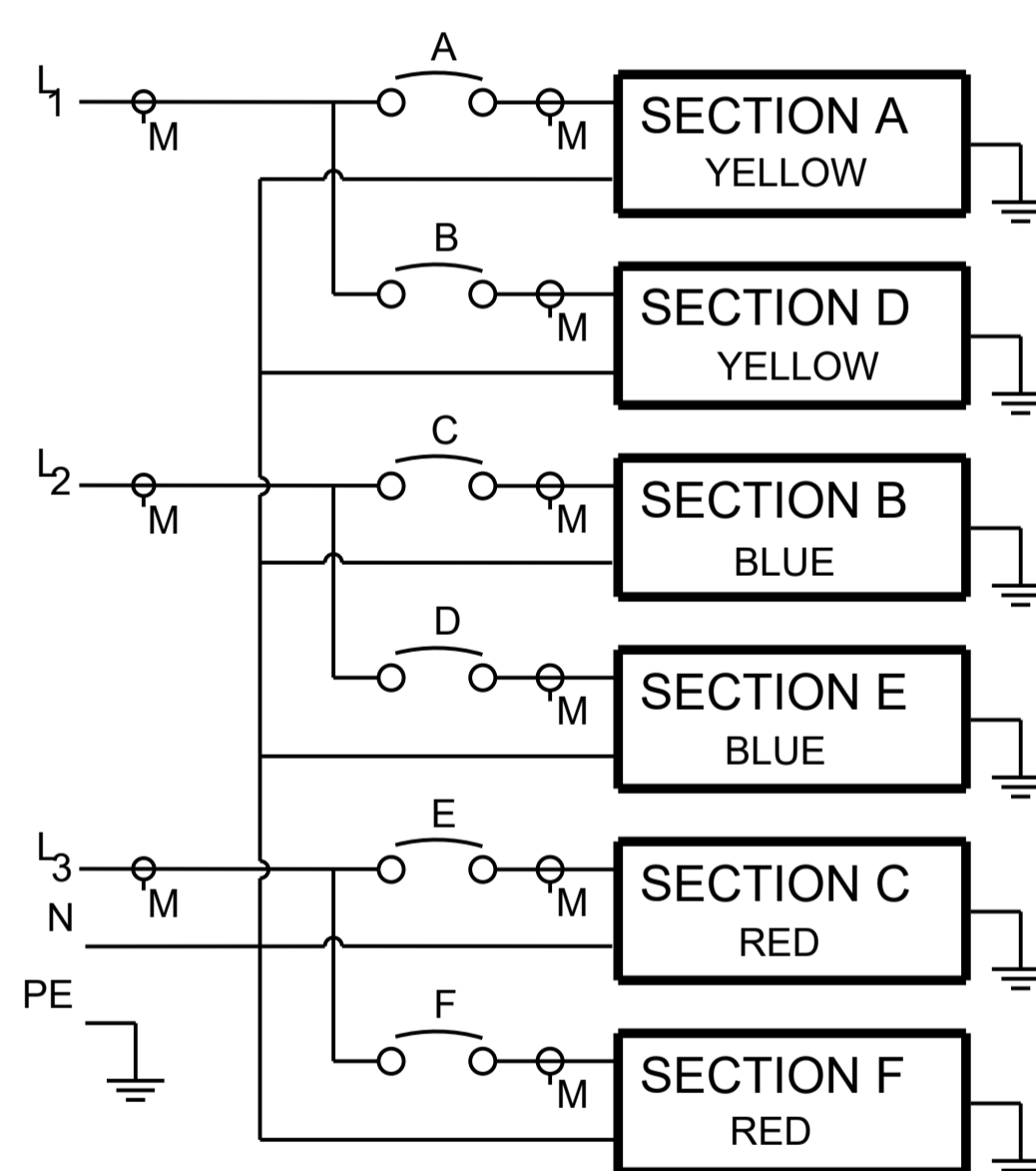


CABLE LENGTH SHOWN NOT TO SCALE

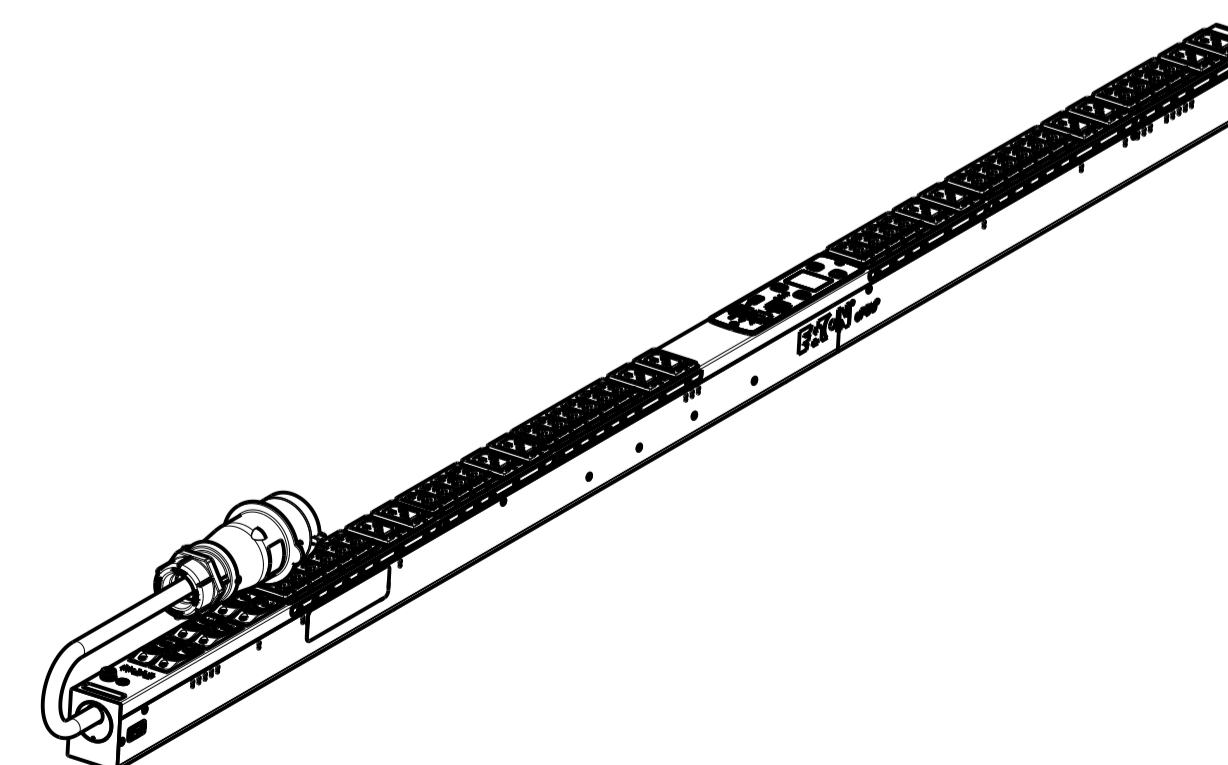


CIRCUIT SCHEMATIC



EMIB34 G3+ METERED INPUT

FUNCTIONALITY	INPUT	OUTPUT	ENVIRONMENTAL
CURRENT POWER AND ENERGY METERING FOR INPUT AND BRANCH	3Ø;346-415V~; WYE, 3W+N+PE 50/60Hz 32A	(30) IEC 60320 C13 GRIP / P-LOCK (12) IEC 60320 C19 GRIP / P-LOCK ALTERNATING PHASES	0 TO 60 °C
MECHANICAL	INPUT RATING	OUTPUT RATING	CERTIFICATIONS
LENGTH: 1829MM WIDTH: 52 MM DEPTH: 65MM ALUMINIUM CHASSIS, BLACK MNT PATTERN SK-23919-Y1	IEC 60309-2 32A 400V~ WYE, 3W+N+PE 4.0MM HO7 POWER CORD CABLE LENGTH: 3.0M	200-240V~;50/60Hz 10A PER C13;16A PER C19 16A MAX PER SECTION 32A MAX TOTAL	CE, CB
CIRCUIT BREAKERS	FILTER AND SPIKE/SURGE	ACCESSORIES	CONFIGURATION
(6) 16A 1-POLE	NONE	STANDARD KSP025 - VERT INSTALLATION AND NETWORK PACK KA35OPTIONAL EMPDT1H1C2 - ENVIRONMENTAL PROBE	EMI3DH8FBJV8BAM



PICTORIAL VIEW
SCALE 0.150

03	PRODUCT MODIFIED TO ALTERNATING SECTIONS	13.11.2018	VV	MB
02	CHANGE PACK FROM KSP015 TO KSP025	24.07.2017	VV	MB
01	REVISED CIRCUIT SCHEMATIC AND REMOVE UNNECESSARY END CAP INSTANCES	14.09.2015	RA	MB
00	INITIAL RELEASE	02.07.2014	RA	MB
REV	MODIFICATION	DATE	DESIGNER	VERIF
HEINEMANN PRODUCTS CH-1345 LE LIEU SWITZERLAND		VUEVIEW 1ST ANGLE	ECHELLE / SCALE 3/10	N° MAG EMIB34
		DESIGNER / DRAWN THE PAR / BY RA		DATE 02.07.2014
TOLERANCE GENERALE / GENERAL TOLERANCE		± 0.1	± 0.5°	VERIFIE PAR / VERIFIED BY MB
TRAITEMENT / FINISH		N/A	N/A	
MATIERE / MATERIAL		N/A	N/A	
NIVEAU DU CERTIFICAT DE SOUMISSION REQUIS / SAMPLES APPROVAL PROCESS REPORT		N/A	DIMENSIONS AND TOLERANCES IN MILLIMETERS	
DESIGNATION	EPDU MI 0U (3Ø9 32A 3P)3ØXC13:12XC19	SK-37919-Y1		03
COTES A CONTROLER INSPECTION DIMENSIONS	XX.XX	COTES FONCTIONNELLES FUNCTIONAL DIMENSIONS	# XX.XX	NUMERO DU PLAN PLAN NUMBER

Ce document est propriété de Eaton Industries Manufacturing GmbH. Duplication interdite sans autorisation.
This document is Eaton Industries Manufacturing GmbH property. Duplication forbidden without authorization.